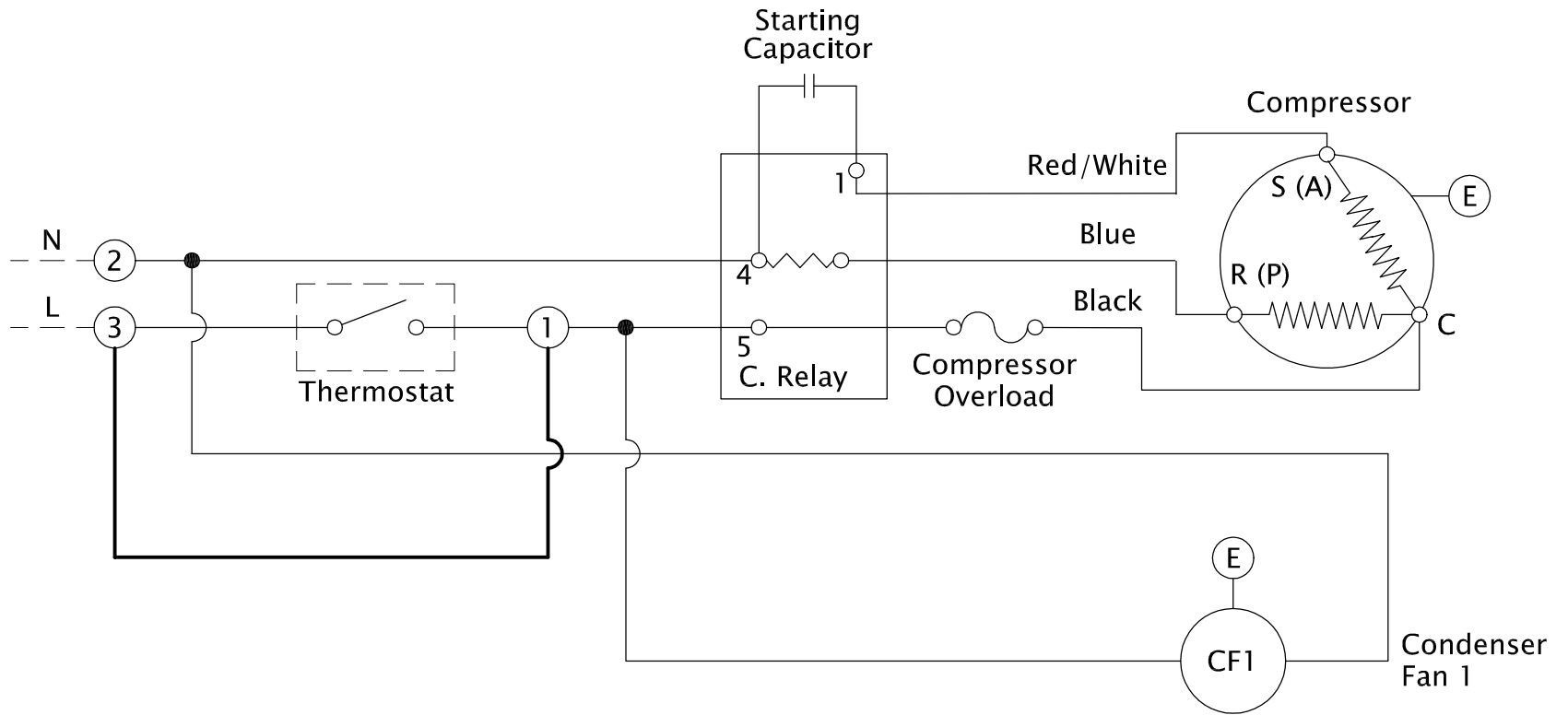


MODEL CAJ, CAE & AEZ (CSIR)



- - Terminal Number
- - Suggested Field Wiring
- - Jumper

Note :
Remove jumper from terminals 1-3 if thermostat wired to junction box.