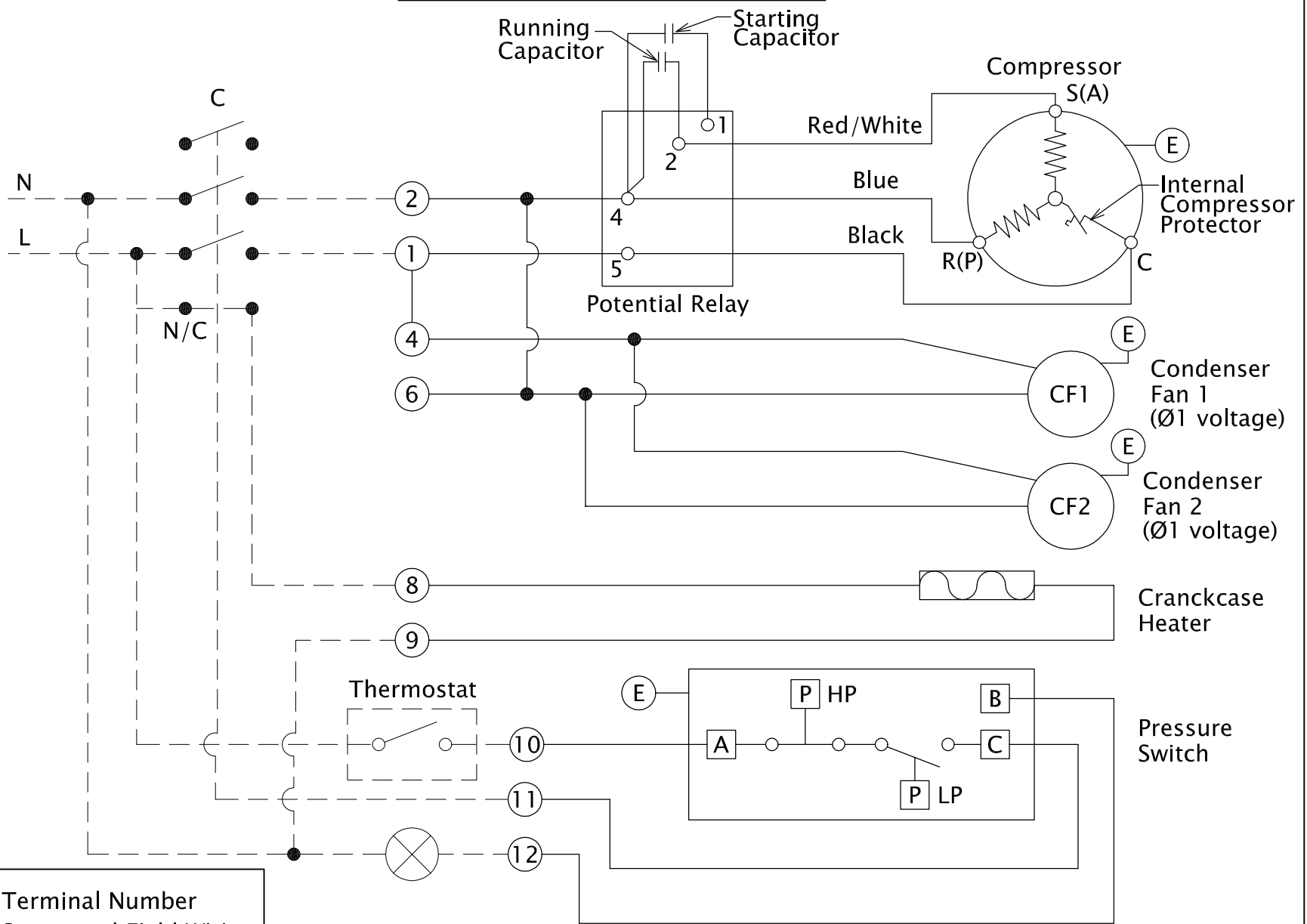


MODEL FH TWIN FAN (CSR)



- - Terminal Number
- - Suggested Field Wiring
- C - Contactor
- ⊗ - Fault Lamp

Note :
 Crankcase heater is self regulating so switching off during compressor operation is not mandatory. Condenser fan supply with 1 phase voltage.