

BR Series

INDUCED DRAUGHT EVAPORATORS



Humidity controlled



On board provision



Restaurant cool rooms



Freezer rooms



Retail cold storage



ROOM

+15°C
to
-35°C

**300mm & 350mm
Fan motors**



Quality
Endorsed
Company

ISO 9001 LICENSÉ
Standard Australia



BUFFALO TRIDENT

SERIOUSLY RELIABLE

HEAT EXCHANGE



BR Series evaporators - Medium temperature

Specifications — 300 mm Diameter Fan Models Fin Series 6 (236 Fins/m)

CAPACITIES IN ACCORDANCE WITH EUROPEAN DT1[‡] CONDITIONS, AND BASED ON -4°C SATURATED SUCTION TEMPERATURE

MODEL		BR**16	BR**19	BR**21	BR**27	BR**32	BR**37	BR**42	BR**49	BR**56	BR**60	BR**63	BR**75	BR**84
R22	WATTS @ 6 KTD	1622	1867	2102	2725	3243	3735	4203	4865	5602	6018	6305	7469	8407
	WATTS @ 1 KTD	270	311	350	454	541	622	701	811	934	1003	1051	1245	1401
R404A	WATTS @ 6 KTD	1719	1979	2228	2889	3438	3959	4456	5157	5938	6379	6683	7917	8911
	WATTS @ 1 KTD	286	330	371	481	573	660	743	859	990	1063	1114	1320	1485
R134a	WATTS @ 6 KTD	1511	1740	1959	2540	3023	3481	3918	4534	5221	5609	5876	6961	7835
	WATTS @ 1 KTD	252	290	326	423	504	580	653	756	870	935	979	1160	1306
AIR FLOW	L/S	427	402	354	406	854	804	708	1281	1206	1125	1062	1608	1416
	CFM	905	852	750	860	1809	1703	1500	2714	2555	2383	2250	3407	3000
AIR THROW (metres) (*)		8.6(11.8)	8.4(11.7)	7.9(10.5)	8.4(11.7)	10.5(13.7)	10.3(13.6)	9.8(13.0)	12.5(16.4)	12.3(16.3)	12.0(15.9)	11.7(15.5)	14.0(18.2)	13.4(17.4)
NUMBER OF 300 mm FANS		1	1	1	1	2	2	2	3	3	3	3	4	4
FAN	TOTAL WATTS	73	73	73	73	146	146	146	219	219	219	219	292	292
MOTOR(S)	**TOTAL AMPS	0.32	0.32	0.32	0.32	0.64	0.64	0.64	0.96	0.96	0.96	0.96	1.28	1.28
MOTOR HEAT/24 HRS (WATTS)		1752	1752	1752	1752	3504	3504	3504	5256	5256	5256	5256	7008	7008
DEFROST HEATERS (BRME ONLY)	TOTAL WATTS	460	460	460	660	760	760	760	900	900	900	900	1200	1200
	TOTAL AMPS	1.9	1.9	1.9	2.8	3.2	3.2	3.2	3.75	3.75	3.75	3.75	5.00	5.00

NOTE: PLEASE SPECIFY REFRIGERANT WHEN ORDERING **Based on Manufacturer's Data (Free Air Tests)

Specifications — 353 mm Diameter Fan Models Fin Series 6 (236 Fins/m)

CAPACITIES IN ACCORDANCE WITH EUROPEAN DT1[‡] CONDITIONS, AND BASED ON -4°C SATURATED SUCTION TEMPERATURE

MODEL		BR**62	BR**66	BR**71	BR**93	BR**98	BR**106	BR**123	BR**131	BR**141	BR**154	BR**164	BR**177
R22	WATTS @ 6 KTD	6174	6560	7074	9261	9839	10610	12348	13119	14147	15435	16399	17684
	WATTS @ 1 KTD	1029	1093	1179	1544	1640	1768	2058	2187	2358	2573	2733	2947
R404A	WATTS @ 6 KTD	6544	6953	7498	9817	10430	11247	13089	13906	14996	16361	17383	18745
	WATTS @ 1 KTD	1091	1159	1250	1636	1738	1875	2181	2318	2499	2727	2897	3124
R134a	WATTS @ 6 KTD	5754	6114	6593	8631	9170	9889	11508	12227	13185	14385	15284	16482
	WATTS @ 1 KTD	959	1019	1099	1439	1528	1648	1918	2038	2198	2398	2547	2747
AIR FLOW	L/S	1554	1458	1422	2331	2187	2133	3108	2916	2844	3885	3645	3555
	CFM	3292	3089	3013	4939	4633	4519	6585	6178	6025	8231	7722	7532
AIR THROW (metres) (*)		17.2 (21.5)	16.9 (21.0)	16.5 (21.6)	18.7 (23.3)	18.4 (23.0)	17.9 (22.3)	21.0 (26.0)	20.8 (25.7)	20.2 (25.0)	22.6 (27.5)	21.7 (26.4)	20.6 (25.1)
NUMBER OF 353 mm FANS		2	2	2	3	3	3	4	4	4	5	5	5
FAN	TOTAL WATTS	260	260	260	390	390	390	520	520	520	650	650	650
MOTOR(S)	**TOTAL AMPS	1.16	1.16	1.16	1.74	1.74	1.74	2.32	2.32	2.32	2.9	2.9	2.9
MOTOR HEAT/24 HRS (WATTS)		6240	6240	6240	9360	9360	9360	12480	12480	12480	15600	15600	15600
DEFROST HEATERS (BRME ONLY)	TOTAL WATTS	960	960	960	1440	1440	1440	1920	1920	1920	2400	2400	2400
	TOTAL AMPS	4	4	4	6	6	6	8	8	8	10	10	10

Air throw based on C.R.M.A. guidelines. Distance at which horizontal air velocity falls below 0.5 m/s measured at 0.5, 0.75, and 1.0 metres from ceiling, average reading to equal 0.5 m/s. Temperatures corrected for +2°C room. (*) Air throw of units fitted with air straightening grilles.

‡DT1 = Air On Temp – Saturated Suction Temperature.

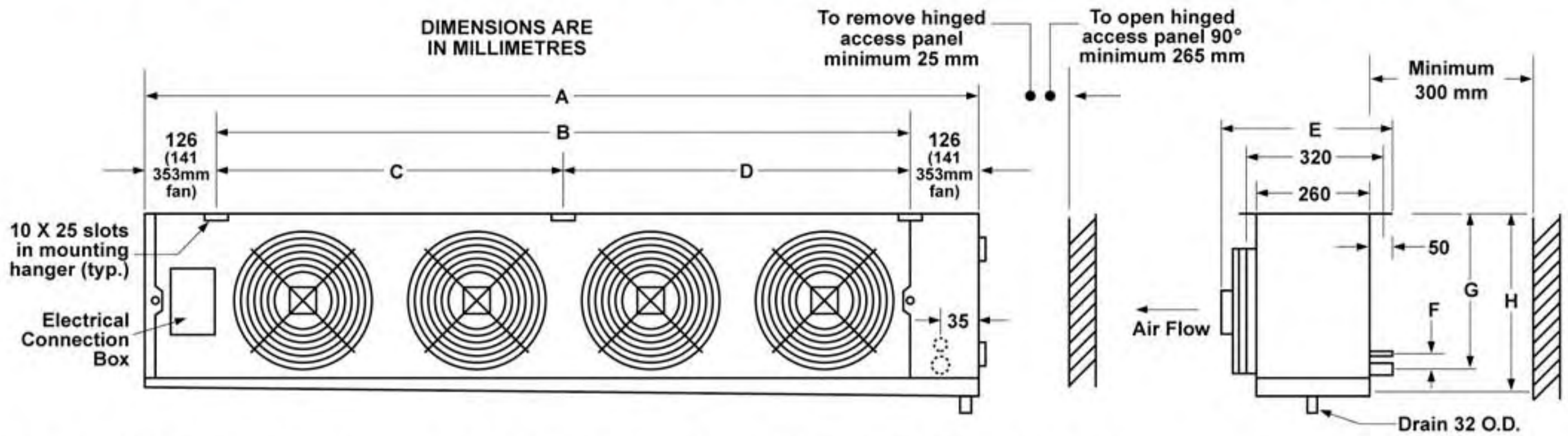
Capacity Correction Factors

FIN SERIES	4	5	6	7	8
CAPACITY MULTIPLIER	0.82	0.91	1.00	1.06	1.12

SUCTION TEMP. °C	-10	-8	-6	-4	-2	0	+2	+4	+6
CAPACITY MULTIPLIER	0.87	0.9	0.95	1.0	1.045	1.17	1.23	1.28	1.35

REFRIGERANT	R22	R407B	R407C	R507
CAPACITY MULTIPLIER	1.0	0.92	0.98	1.07

BR Series evaporators - Medium temperature



❄️❄️BR Air Defrost

❄️❄️BRME Assisted Electric Defrost

Physical Data — 300mm Diameter Fan Models

MODEL	BR**16	BR**19	BR**21	BR**27	BR**32	BR**37	BR**42	BR**49	BR**56	BR**60	BR**63	BR**75	BR**84	
Suction Connection (mm)	12.70	12.70	12.70	12.70	12.70	12.70	12.70	15.80	15.80	15.80	15.80	22.20	22.20	
Liquid Connection (mm)	6.35	6.35	6.35	6.35	6.35	6.35	6.35	9.50	9.50	9.50	9.50	12.70	12.70	
TX Valve Connection	Inlet (mm)	6.35	6.35	6.35	6.35	6.35	6.35	9.50	9.50	9.50	9.50	12.70	12.70	
	Outlet (mm)	12.70	12.70	12.70	12.70	12.70	12.70	12.70	12.70	12.70	12.70	12.70	12.70	
Ext. Equaliser (mm)	6.35	6.35	6.35	6.35	6.35	6.35	6.35	6.35	6.35	6.35	6.35	6.35	6.35	
Operating Refrig. Charge (R22 base)	0.38	0.50	0.75	1.08	0.75	1.00	1.50	1.13	1.50	1.86	2.25	2.00	3.00	
Dimensions (mm)	A	676.00	676.00	676.00	845.00	1057.00	1057.00	1057.00	1438.00	1438.00	1438.00	1438.00	1819.00	1819.00
	B	425.00	425.00	425.00	594.00	806.00	806.00	806.00	1187.00	1187.00	1187.00	1187.00	1568.00	1568.00
	E	425.00	425.00	425.00	425.00	425.00	425.00	425.00	425.00	425.00	425.00	425.00	425.00	425.00
	F	40.00	40.00	40.00	40.00	40.00	40.00	40.00	40.00	40.00	40.00	40.00	40.00	40.00
	G	345.00	345.00	345.00	345.00	345.00	345.00	345.00	345.00	345.00	345.00	345.00	340.00	340.00
H	415.00	415.00	415.00	415.00	415.00	415.00	415.00	415.00	415.00	415.00	415.00	415.00	415.00	
Weight – Unpacked (kg)	13.40	14.50	16.70	19.65	21.00	23.10	27.20	28.70	31.80	34.80	37.90	40.80	48.80	

Physical Data — 353mm Diameter Fan Models

MODEL	BR**62	BR**66	BR**71	BR**93	BR**98	BR**106	BR**123	BR**131	BR**141	BR**154	BR**164	BR**177	
Suction Connection (mm)	15.80	15.80	15.80	28.50	28.50	28.50	28.50	28.50	28.50	28.50	28.50	28.50	
Liquid Connection (mm)	9.50	9.50	9.50	12.70	12.70	12.70	12.70	12.70	12.70	12.70	12.70	12.70	
TX Valve Connection	Inlet (mm)	9.50	9.50	12.70	12.70	12.70	12.70	12.70	12.70	12.70	12.70	12.70	
	Outlet (mm)	12.70	12.70	12.70	12.70	12.70	15.80	15.80	15.80	15.80	15.80	15.80	
Ext. Equaliser (mm)	6.35	6.35	6.35	6.35	6.35	6.35	6.35	6.35	6.35	6.35	6.35	6.35	
Operating Refrig. Charge (R22 base)	1.84	2.29	2.77	2.76	3.44	4.16	3.68	4.58	5.54	4.60	5.73	6.93	
Dimensions (mm)	A	1544	1544	1544	2154	2154	2154	2764	2764	2764	3373	3373	3373
	B	1263	1263	1263	1873	1873	1873	2483	2483	2483	3092	3092	3092
	C	–	–	–	–	–	–	1263	1263	1263	1873	1873	1873
	D	–	–	–	–	–	–	1219	1219	1219	1219	1219	1219
	E	425	425	425	425	425	425	425	425	425	425	425	425
	F	40	40	40	60	60	60	60	60	60	60	60	60
	G	345	345	345	335	335	335	335	335	335	335	335	335
	H	492	492	492	492	492	492	492	492	492	492	492	492
Weight – Unpacked (kg)	36.50	40.30	44.30	51.80	57.60	63.30	67.50	75.10	82.70	79.10	87.00	95.60	



BR Series evaporators - Low temperature

Specifications — 300 mm Diameter Fan Models Fin Series 6 (236 Fins/m)

CAPACITIES IN ACCORDANCE WITH EUROPEAN DT1[‡] CONDITIONS, AND BASED ON -24°C SATURATED SUCTION TEMPERATURE

MODEL		BRL*12	BRL*13	BRL*15	BRL*19	BRL*23	BRL*27	BRL*30	BRL*35	BRL*40	BRL*43	BRL*45	BRL*53	BRL*60
R22	WATTS @ 6 KTD	1154	1337	1495	1933	2308	2673	2990	3462	4010	4280	4485	5346	5980
	WATTS @ 1 KTD	192	223	249	322	385	446	498	577	668	713	747	891	997
R404A	WATTS @ 6 KTD	1223	1417	1585	2049	2446	2833	3169	3669	4250	4537	4754	5667	6338
	WATTS @ 1 KTD	204	236	264	341	408	472	528	612	708	756	792	944	1056
R507	WATTS @ 6 KTD	1246	1443	1614	2087	2492	2887	3229	3739	4330	4623	4843	5774	6458
	WATTS @ 1 KTD	208	241	269	348	415	481	538	623	722	770	807	962	1076
AIR FLOW	L/S	418	394	347	412	836	788	694	1254	1182	1101	1041	1576	1388
	CFM	886	835	735	873	1771	1669	1470	2657	2504	2333	2206	3339	2941
AIR THROW (metres)		7.4	7.2	6.8	7.2	9.1	8.9	8.4	10.8	10.6	10.3	10.1	12.1	11.6
NUMBER OF 300 mm FANS		1	1	1	1	2	2	2	3	3	3	3	4	4
FAN MOTOR(S)	TOTAL WATTS	73	73	73	73	146	146	146	219	219	219	219	292	292
	*TOTAL AMPS	0.32	0.32	0.32	0.32	0.64	0.64	0.64	0.96	0.96	0.96	0.96	1.28	1.28
MOTOR HEAT/24 HRS (WATTS)		1752	1752	1752	1752	3504	3504	3504	5256	5256	5256	5256	7008	7008
**240 VOLT DEFROST HEATERS	TOTAL WATTS	1360	1360	1360	1970	2560	2560	2560	3600	3600	3600	3600	4800	4800
	TOTAL AMPS	5.7	5.7	5.7	8.2	10.7	10.7	10.7	15.00	15.00	15.00	15.00	20.00	20.00

NOTE: PLEASE SPECIFY REFRIGERANT WHEN ORDERING *Based on Manufacturer's Data (Free Air Tests)

Specifications — 353 mm Diameter Fan Models Fin Series 6 (236 Fins/m)

CAPACITIES IN ACCORDANCE WITH EUROPEAN DT1[‡] CONDITIONS, AND BASED ON -24°C SATURATED SUCTION TEMPERATURE

MODEL		BRL*44	BRL*47	BRL*51	BRL*66	BRL*70	BRL*76	BRL*88	BRL*94	BRL*101	BRL*110	BRL*117	BRL*127
R22	WATTS @ 6 KTD	4420	4697	5064	6630	7046	7597	8840	9394	10129	11050	11743	12661
	WATTS @ 1 KTD	737	783	844	1105	1174	1266	1473	1566	1688	1842	1957	2110
R404A	WATTS @ 6 KTD	4685	4979	5368	7027	7468	8052	9370	9958	10737	11712	12447	13421
	WATTS @ 1 KTD	781	830	895	1171	1245	1342	1562	1660	1789	1952	2075	2237
R507	WATTS @ 6 KTD	4773	5073	5470	7160	7609	8204	9547	10146	10939	11933	12682	13674
	WATTS @ 1 KTD	796	845	912	1193	1268	1367	1591	1691	1823	1989	2114	2279
AIR FLOW	L/S	1522	1428	1393	2283	2142	2090	3044	2856	2786	3805	3570	3483
	CFM	3225	3025	2951	4837	4538	4427	6449	6051	5903	8061	7564	7378
AIR THROW (metres)		14.8	14.6	14.2	16.1	15.9	15.5	18.1	18.0	17.4	19.5	18.7	17.8
NUMBER OF 353 mm FANS		2	2	2	3	3	3	4	4	4	5	5	5
FAN MOTOR(S)	TOTAL WATTS	260	260	260	390	390	390	520	520	520	650	650	650
	*TOTAL AMPS	1.16	1.16	1.16	1.74	1.74	1.74	2.32	2.32	2.32	2.9	2.9	2.9
MOTOR HEAT/24 HRS (WATTS)		6240	6240	6240	9360	9360	9360	12480	12480	12480	15600	15600	15600
**240 VOLT DEFROST HEATERS	TOTAL WATTS	3840	3840	3840	5760	5760	5760	7680	7680	7680	9600	9600	9600
	TOTAL AMPS	16.0	16.0	16.0	24.0	24.0	24.0	32.0	32.0	32.0	40.0	40.0	40.0

Air throw based on C.R.M.A. guidelines. Distance at which horizontal air velocity falls below 0.5 m/s measured at 0.5, 0.75, and 1.0 metres from ceiling, average reading to equal 0.5 m/s. Temperatures corrected for -18°C (0.87). ** NOT APPLICABLE TO BRLH OR BRLW. ‡DT1 = Air On Temp - Saturated Suction Temperature.

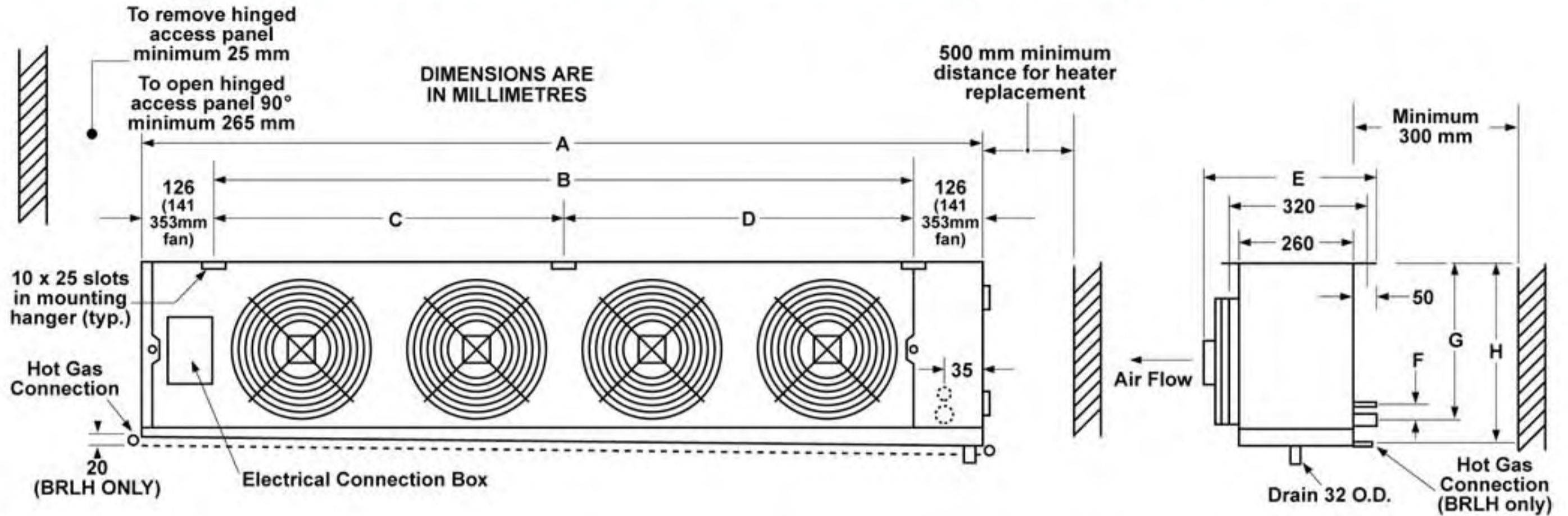
Capacity Correction Factors

SUCTION TEMP. °C	-40	-35	-30	-25	-24	-20	-15	-10	-5
CAPACITY MULTIPLIER	0.5	0.71	0.85	0.98	1.0	1.06	1.14	1.23	1.35

REFRIGERANT	R22	R407B	R134a
CAPACITY MULTIPLIER	1.0	0.955	0.68

FIN SERIES	4	5	6
CAPACITY MULTIPLIER	0.82	0.91	1.00

BR Series evaporators - Low temperature



❄️ **BRLE Electric Defrost** ❄️ **BRLW Water Defrost** ❄️ **BRLH Hot Gas Defrost**

Physical Data — 300mm Diameter Fan Models

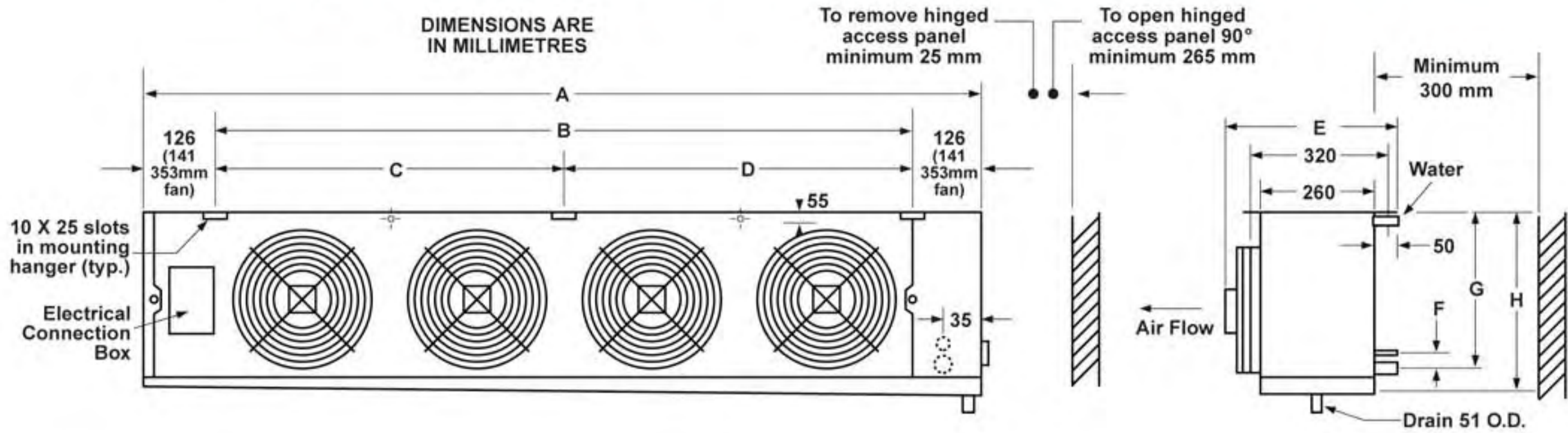
MODEL	BRL*12	BRL*13	BRL*15	BRL*19	BRL*23	BRL*27	BRL*30	BRL*35	BRL*40	BRL*43	BRL*45	BRL*53	BRL*60	
Suction Connection (mm)	12.70	12.70	12.70	12.70	12.70	12.70	12.70	15.80	15.80	15.80	15.80	22.20	22.20	
Liquid Connection (mm)	6.35	6.35	6.35	6.35	6.35	6.35	6.35	9.50	9.50	9.50	9.50	9.50	9.50	
TX Valve Connection	Inlet (mm)	6.35	6.35	6.35	6.35	6.35	6.35	9.50	9.50	9.50	9.50	9.50	9.50	
	Outlet (mm)	12.70	12.70	12.70	12.70	12.70	12.70	12.70	12.70	12.70	12.70	12.70	12.70	
Ext. Equaliser (mm)	6.35	6.35	6.35	6.35	6.35	6.35	6.35	6.35	6.35	6.35	6.35	6.35	6.35	
Operating Refrig. Charge (R22 base)	0.26	0.36	0.53	0.77	0.52	0.71	1.06	0.78	1.07	1.32	1.59	1.42	2.12	
Dimensions (mm)	A	676.00	676.00	676.00	845.00	1057.00	1057.00	1057.00	1438.00	1438.00	1438.00	1438.00	1819.00	1819.00
	B	425.00	425.00	425.00	594.00	806.00	806.00	806.00	1187.00	1187.00	1187.00	1187.00	1568.00	1568.00
	E	425.00	425.00	425.00	425.00	425.00	425.00	425.00	425.00	425.00	425.00	425.00	425.00	425.00
	F	40.00	40.00	40.00	40.00	40.00	40.00	40.00	40.00	40.00	40.00	40.00	40.00	40.00
	**G	345.00	345.00	345.00	345.00	345.00	345.00	345.00	345.00	345.00	345.00	345.00	340.00	340.00
	**H	415.00	415.00	415.00	415.00	415.00	415.00	415.00	415.00	415.00	415.00	415.00	415.00	415.00
Weight – Unpacked (kg)	13.90	15.00	17.20	20.33	21.80	23.90	28.10	29.90	33.00	36.00	39.00	42.20	50.30	

Physical Data — 353mm Diameter Fan Models

MODEL	BRL*44	BRL*47	BRL*51	BRL*66	BRL*70	BRL*76	BRL*88	BRL*94	BRL*101	BRL*110	BRL*117	BRL*127	
Suction Connection (mm)	15.80	15.80	15.80	28.50	28.50	28.50	28.50	28.50	28.50	28.50	28.50	28.50	
Liquid Connection (mm)	9.50	9.50	9.50	12.70	12.70	12.70	12.70	12.70	12.70	12.70	12.70	12.70	
TX Valve Connection	Inlet (mm)	9.50	9.50	12.70	12.70	12.70	12.70	12.70	12.70	12.70	12.70	12.70	
	Outlet (mm)	12.70	12.70	12.70	12.70	12.70	15.80	15.80	15.80	15.80	15.80	15.80	
Ext. Equaliser (mm)	6.35	6.35	6.35	6.35	6.35	6.35	6.35	6.35	6.35	6.35	6.35	6.35	
Operating Refrig. Charge (R22 base)	1.31	1.63	1.97	1.97	2.45	2.96	2.62	3.26	3.94	3.28	4.08	4.93	
Dimensions (mm)	A	1544	1544	1544	2154	2154	2154	2764	2764	2764	3373	3373	3373
	B	1263	1263	1263	1873	1873	1873	2483	2483	2483	3092	3092	3092
	C	–	–	–	–	–	–	1263	1263	1263	1873	1873	1873
	D	–	–	–	–	–	–	1219	1219	1219	1219	1219	1219
	E	425	425	425	425	425	425	425	425	425	425	425	425
	F	40	40	40	60	60	60	60	60	60	60	60	60
	**G	345	345	345	335	335	335	335	335	335	335	335	335
	**H	492	492	492	492	492	492	492	492	492	492	492	492
Weight – Unpacked (kg)	37.80	41.60	45.60	53.50	59.30	65.10	69.80	77.30	84.90	81.30	89.80	98.30	

** Only applicable to BRLE & BRLH. NOTE: All hot gas connections 22.2mm

Physical data BRLW - water defrost



MODEL	DIMENSION 'G'	DIMENSION 'H'	DEFROST WATER CONNECTION	DRAIN CONNECTION	MAXIMUM DEFROST WATER L/S *
BRLW12 – 30	422 mm	530 mm	1 x 32	51	0.9
BRLW19	422 mm	530 mm	1 x 32	51	1.3
BRLW35 – 45	422 mm	530 mm	1 x 32	51	1.8
BRLW53 – 60	417 mm	530 mm	1 x 32	51	1.8
BRLW44 – 51	422 mm	607 mm	1 x 32	51	1.8
BRLW66 – 76	412 mm	607 mm	1 x 32	51	1.8
BRLW88 – 127	412 mm	607 mm	2 x 32	51	3.6

* FOR CORRECT OPERATION WATER TEMPERATURE SHOULD BE WITHIN THE FOLLOWING LIMITS: MAXIMUM 30°C MINIMUM 4°C. PITCH ON DRAINS 45 mm/metre MINIMUM.

BR**/BRL* Features:

- Internal Ripple Finned Tube for higher heat transfer performance and better oil return.
- Absolute Flush Mounting – All Aluminium Case.
– Stainless Steel Fastenings.
- Hinged Access Door both ends – Easily removable where coil installed close to adjacent wall.
- Hinged fully reversible Drip Tray (BR, BRME and BRLE only).
- Circuited for multiple refrigerants.
- Interchangeable orifice plate in distributor.
- Low energy sickle blade fan motors with inbuilt thermal protection. Two sizes available for optimum performance, compactness, and air throw.
- Compact high efficiency heat exchanger.
- Double annealed defrost elements fitted to coil block for improved heat dissipation (BRLE and BRME only).
- Factory fitted defrost termination, fan delay, and heater safety thermostats (BRLE and BRME only).
- Electrical components pre-wired to common connection box.
- 4 defrost types: Air / Electric / Hot Gas / Water.
- Fan Speed: 300mm – 1250 rpm / 353mm – 1400 rpm.

BR**/BRL* Optional Extras:

- Copper Fins.
- Electro-Tinning.
- Stainless Steel Case.
- Other Fin Sizes 4,5,7,8.
- Special Circuitry – Brines, Hot/Cold Water.
- Special Application Designs.
- Hazardous Location Motors (eg Flameproof).
- Low/High Temp Grease Fitted to Motors.
- Factory Fitted TX Valves on multiple orders.
- Multiple Circuits.
- Air Straightening Grille.

Relative Humidity Data

Selection: BRL* Series

Capacity correction for suction temperature other than -24°C can be calculated from correction table. However where operating suction temperature varies more than $\pm 5^{\circ}\text{C}$ from standard (-24°C), please nominate condition at time of order so that correct distributor is fitted. Selection of expansion valves for models fitted with refrigerant distributors should be sized for pressure drop of 900 kPa for R404A and 700 kPa for R22.

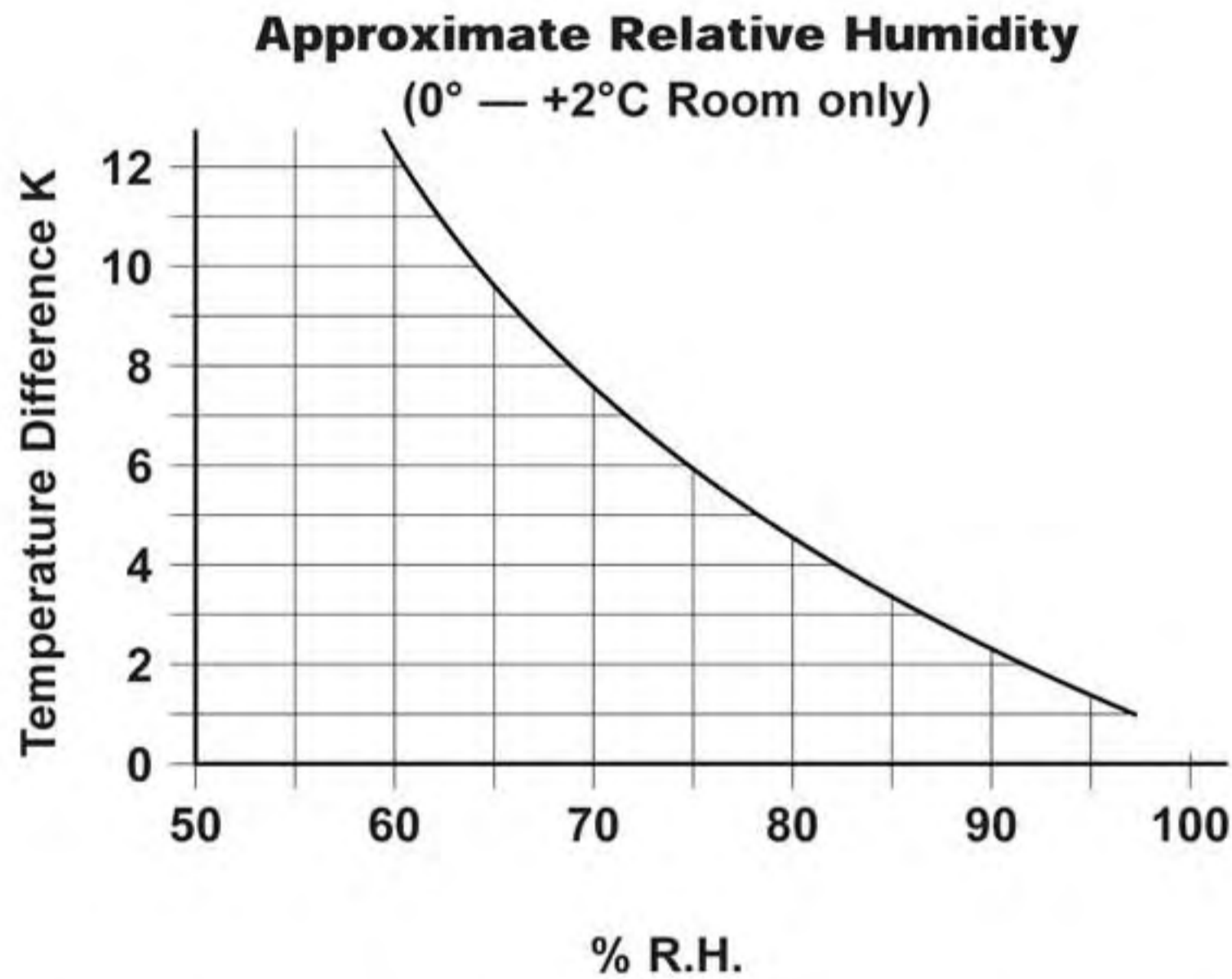
All fans are supplied with low temperature grease permissible air temperatures of -50°C to $+70^{\circ}\text{C}$ for 300mm diameter fan models and -40°C to $+55^{\circ}\text{C}$ for 353mm diameter fan models.

Selection: BR** Series

Models overlap in capacities where fan motor change occurs. This permits alternative selection (where space may be limited) without loss of air volume.

Capacity correction for suction temperatures, other than -4°C can be calculated from correction table, however where operating suction temperature selection varies more than $\pm 5^{\circ}\text{C}$ from standard (-4°C), please nominate condition at time of order so that correct distributor is fitted.

Selection of expansion valves for models fitted with refrigerant distributors should be sized for a pressure drop of 400 kPa for R134a and 700 kPa for R22.



Relative Humidity Selection

As the air volume and capacity ratio will vary from model to model in any range, the relative humidity graph reading can only be regarded as an approximate value.

The operating humidity of a room (once product is down to temperature) can be predicted quite accurately (within 5%) by applying the following abbreviated formula to a proposed evaporator which has specific capacity and air flow listed in the Specification Tables.

$$\% \text{ R.H.} = \frac{P_s \text{ TEMP AIR OFF COIL}}{P_s \text{ TEMP AIR ON COIL}} \times 100$$

$$\text{Air off } (^{\circ}\text{C}) = \text{Air on } (^{\circ}\text{C}) - \frac{\text{COIL CAPACITY (WATTS)}}{\text{AIR FLOW (l/s)} \times 1.298}$$

Where P_s = Air pressure at saturation (steam table)
 $1.298 = (\text{Density air } 0^{\circ}\text{C} \times \text{specific heat of Air } 0^{\circ}\text{C})$

Contact Information

Bitzer Refrigeration Asia Limited

200 Cantonment Road
#06-02A Southpoint
Singapore 089763
PH: +65 6220 4942
Fax: +65 6220 4794
Email: system@bitzer.com.sg

Bitzer Australia

134 Dunheved Circuit
St Marys, NSW 2760
Australia
PH:+61 (2) 8801-9300
Fax:+61 (2) 9673-4698
Email: info@bitzer.com.au

VIC PH:+61 (3) 8326-8200
Fax:+61 (3) 9310-2520

SA PH:+61 (8) 8268-4500
Fax:+61 (8) 8268-4555

WA PH:+61 (8) 9359-2066
Fax:+61 (8) 9359-2077

QLD PH:+61 (7) 3274-3620
Fax:+61 (7) 3274-3621

Bitzer India

608, Gateway Plaza
Hiranandani Gardens
Powai, Mumbai 400 076
India
Tel.: +91 22 55701235
Fax: +91 22 25704062
eMail: office@bitzer.in

Bitzer Indonesia

Jl. Raya Tlajung Udik No. 2
Gunung Putri, Bogor - Jawa Barat 16962
Indonesia
PH:+62 (21) 8671041
Fax:+62 (21) 8670386
Email: indonesia@bitzer.co.id

INTERNET SITE

www.buffalotrident.com

www.bitzer.com.sg

Other Products Available:-



KK AIR BLAST
- High velocity rapid cooling
- 1 - 3 fans (710mm)

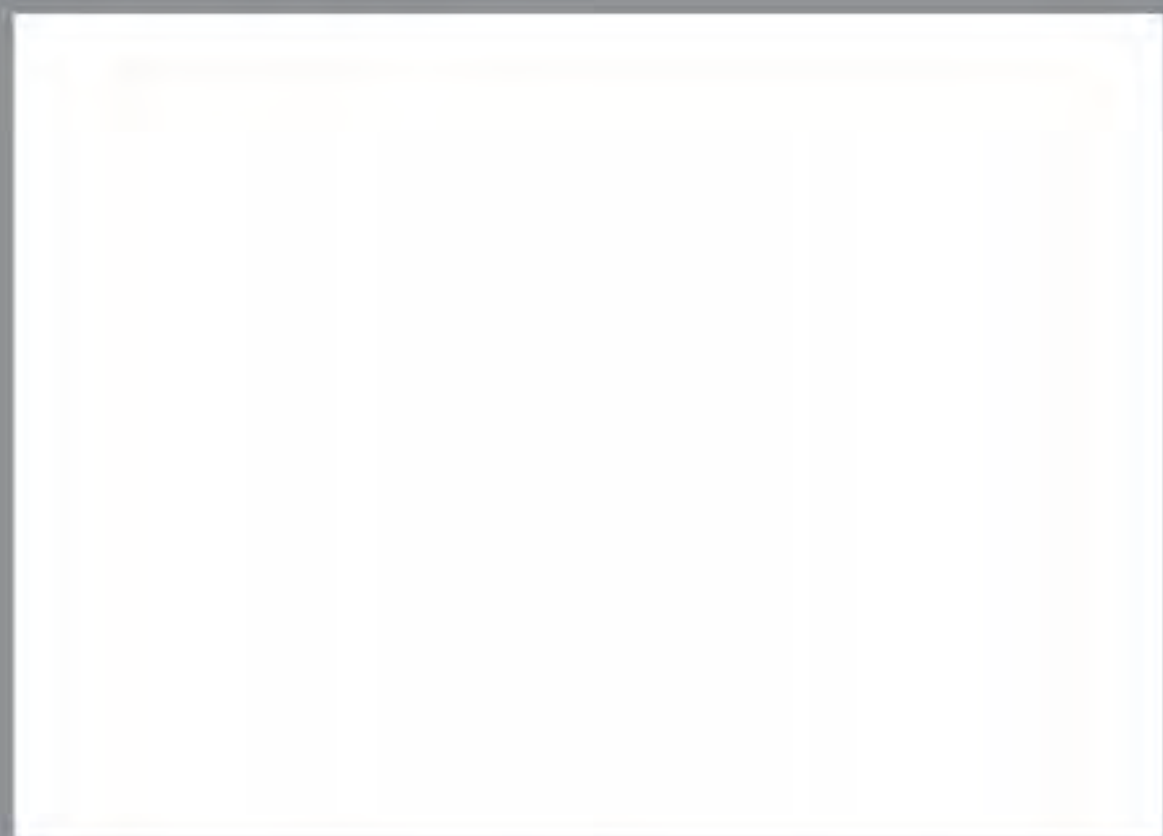


BBM / EBBL
- Large heavy duty evaporators
- 1 - 4 fans (500mm)



FLEXI-MOD
condensers
- Large capacity range
- 4 fan options for varied sound performance

DISTRIBUTED BY:



In the interests of continuous improvement Bitzer reserves the right to change the specifications or design of any of its products without notice. The Bitzer Symbol, name Bitzer International and model names are registered trade marks. All products manufactured are pending design and specification registration and must not be copied or duplicated in any way

ISSUE: JULY 2006