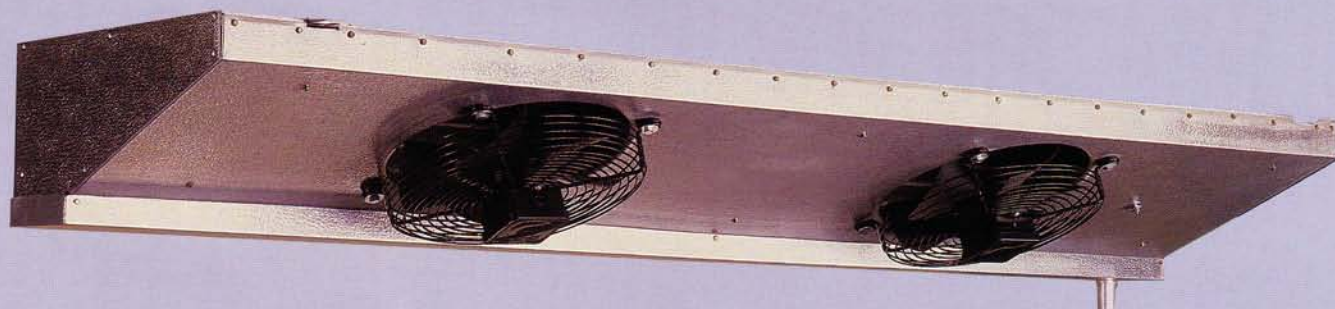


MODEL SMC MEDIUM & SMCL LOW TEMPERATURE EVAPORATORS



SMC 75

NEW RANGE OF HEAVY DUTY CABINET COILS

FEATURES

- * Internal ripple finned tube.
- * 6 Models.
- * Standard Aluminium, Stainless Steel or Marine Grade Aluminium case as required.

MODEL 'SMC' MEDIUM TEMP. EVAPORATORS

SPECIFICATIONS - FIN SERIES 6 (4mm)

MODEL		SMC 50	SMC 75	SMC 100
CAPACITY R22 -4°C SST	WATTS @ 1 KTD	300	467	597
	WATTS @ 6 KTD	1800	2800	3580
CAPACITY R134A -4°C SST	WATTS @ 1 KTD	278	433	557
	WATTS @ 6 KTD	1670	2600	3340
AIR FLOW	l/s	679	698	1047
FAN SIZE Ø mm		300	300	300
NUMBER OF FANS		2	2	3
FAN SPEED (R.P.M.)		1250	1250	1250
FAN MOTORS	TOTAL WATTS	150	150	225
	TOTAL AMPS	0.64	0.64	0.96
MOTOR HEAT / 24 HRS TOTAL WATTS		3600	3600	5400

CAPACITY CORRECTION

Evap. TEMP °C	-8	-6	-4	-2	0	+2	+4	+6
Capacity multiplier	0.91	0.95	1.00	1.03	1.06	1.11	1.16	1.22

Fin series	4	5	6	7	8
Capacity multiplier	0.82	0.91	1.00	1.06	1.12

MODEL 'SMCL' LOW TEMP. EVAPORATORS

SPECIFICATIONS - FIN SERIES 6 (4mm)

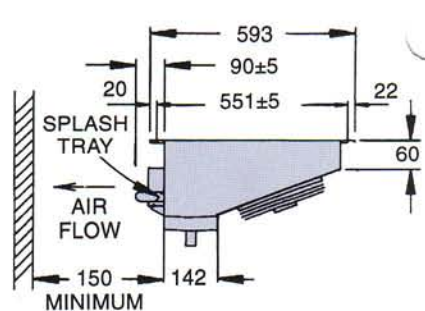
MODEL		SMCL 50	SMCL 75	SMCL 100
CAPACITY R22 -24°C SST	WATTS @ 1 KTD	250	383	483
	WATTS @ 6 KTD	1500	2300	2900
AIR FLOW	l/s	679	698	1047
FAN SIZE Ø mm		300	300	300
NUMBER OF FANS		2	2	3
FAN SPEED (R.P.M.)		1250	1250	1250
FAN MOTORS	TOTAL WATTS	150	150	225
	TOTAL AMPS	0.64	0.64	0.96
MOTOR HEAT / 24 HRS TOTAL WATTS		3880	3880	5820
240 VOLT DEFROST HEATERS	TOTAL WATTS	1800	2700	3600
	TOTAL AMPS	7.49	11.24	14.98

CAPACITY CORRECTION

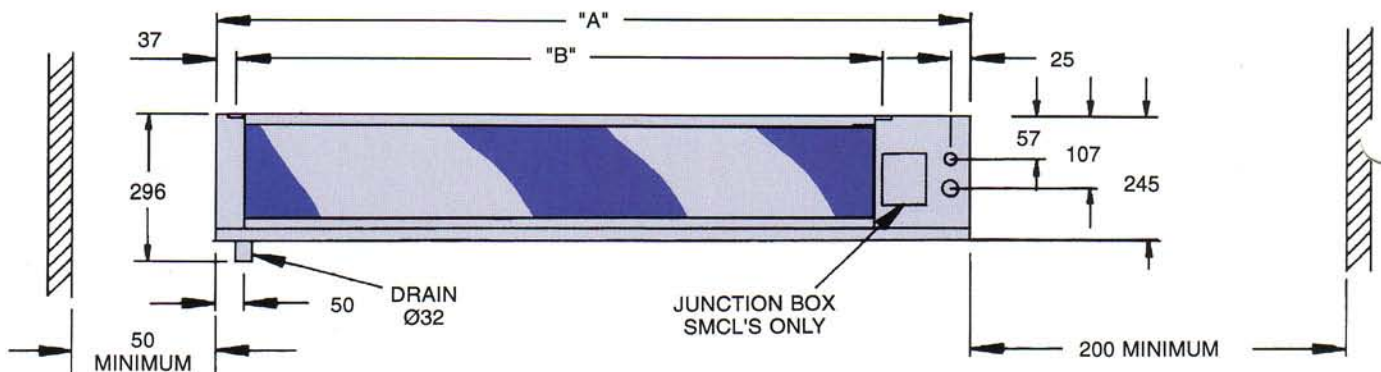
Evap. TEMP °C	-30	-25	-24	-20	-15	-10	-5
Capacity multiplier	0.86	0.98	1.00	1.07	1.13	1.19	1.23

Fin series	4	5	6
Capacity multiplier	0.82	0.91	1.00

MODEL		SMC 50	SMC 75	SMC 100	SMCL 50	SMCL 75	SMCL 100
Suction Connection O.D. (mm)		15.9	19	22.2	15.9	19	22.2
TX Connection Outlet O.D. (mm) Flare		12.7	12.7	12.7	12.7	12.7	12.7
Ext. Equaliser (mm)		---	6.35	6.35	---	6.35	6.35
Refrig. Charge (kg)	R22	0.46	0.81	1.09	0.49	0.85	1.14
	R134A	0.46	0.80	1.06	---	---	---
Dimensions (mm)	A	1196	1958	2568	1196	1958	2568
	B	957	1719	2329	957	1719	2329
Weight - unpacked (kg)		17	29	39	18	30	40



Mounting Positions
Suit Ø9.5mm Bolts
4 Places



BUFFALO TRIDENT

A Division of
BITZER AUSTRALIA PTY. LTD.
A.C.N. 057 670 023

MELBOURNE 25 Strezlecki Avenue, Sunshine 3020, P.O.Box 105, Sunshine, Vic 3020 Telephone: (03) 9311 4480 Fax: (03) 9310 2520
BRISBANE Unit 2/47 Learoyd Road, Acacia Ridge 4110, P.O. Box 427, Moorooka Qld 4105 Telephone: (07) 3272 3933 Fax: (07) 3272 3944
SYDNEY Corner Dunheved Circuit and Severn Street, St. Marys 2760 Telephone: (02) 9623 7155 Fax: (02) 9673 4698
ADELAIDE Unit 3, 280 Grand Junction Road, Athol Park S.A. 5012 Telephone: (08) 8241 0644 Fax: (08) 8241 0995
PERTH Unit 2, 9 - 11 Noble Street, Kewdale W.A. 6105 Telephone: (08) 9353 3122 Fax: (08) 9353 3212
JAKARTA PT. Bitzer Indonesia, Jl. Raya Tlajung Udik 2, Kec. Gunung Putri, Kab. Bogor Timur 16144 Jawa Barat - Indonesia
 Telephone: +62-21 8671041-42 Fax: +62-21 8670386 Email: Bitzer@rad.net.id

In the interest of continuous improvement, Buffalo Trident reserves the right to change the specifications or design of any of its products without prior notice. The Trident symbol, name Buffalo Trident and model names are registered trade marks. All products manufactured by Buffalo Trident are pending design and specification registration and must not be copied or duplicated in any way.