

**CT85 SERIES
 TOTALLY ENCLOSED FAN MOTORS**

**CT85 SERIES
 TOTALLY ENCLOSED
 FAN MOTORS**

New Product Release

August 2004



FEATURES:

- LOW NOISE
- DESIGNED TO INTERNATIONAL STANDARDS
- LONG BEARING LIFE
- INTERCHANGEABLE WITH OTHER BRANDS
- PERMANENT SPLIT CAPACITOR DESIGN
- TOTALLY ENCLOSED
- DYNAMICALLY BALANCED ROTORS
- AUTO RESET THERMAL OVERLOAD ON SINGLE & THREE PHASE MOTORS

**CT85 SERIES TOTALLY ENCLOSED FAN MOTORS
 REPLACEMENT CHART**

| CMG PRODUCT CODE | REPLACES FASCO | REPLACES KULTHORN |
|------------------|---------------------------|-------------------|
| CT85-54018X-M02 | 808554LTB-A80 / 61S072-80 | KHF2F4702 |
| CT85-34018X-M02 | 808534LTB-A12 | |
| CT85-34018X-F02 | 8061S107-02 | |
| CT85-57015X-M02 | 808557KTB-A11 / 61S059-80 | HF3G4701K |
| CT85-56025X-M02 | 8061S137-80 | KHF3J4702 |
| CT85-56025T-M02 | 8061S009-06 | |
| CT85-57030T-M02 | 8061S118-02 / 8061S118-03 | |
| CT85-56037X-M02 | 8061S120-80 | HF3Q4700K |
| CT85-36025X-M02 | 808536MTB-A11 / 61S124-80 | |
| CT85-36037T-B02 | 8061S121-80 | |

TOTALLY ENCLOSED - MOTOR SPECIFICATIONS

| PRODUCT CODE | WATTS OUT | FULL LOAD AMPS | SPEED RPM | CAP SIZE UF/V | CAP SUPPLIED | STANDARD DIRECTION ROTATION | REVERSIBLE | VOLTAGE | SUITS FAN DIAM | SUITS FAN PITCH |
|-----------------|-----------|----------------|-----------|---------------|--------------|-----------------------------|------------|---------|----------------|-----------------|
| CT85-54018X-M02 | 180 | 1.25 | 1380 | 4/440 | YES | CW | YES | 240 | 406 | 25° |
| CT85-34018X-M02 | 180 | 0.90 | 1400 | NIL | N/A | CW | YES | 415 | 406 | 25° |
| CT85-34018X-F02 | 180 | 0.75 | 1400 | NIL | N/A | CW | YES | 415 | 406 | 25° |
| CT85-57015X-M02 | 150 | 1.2 | 900 | 6/440 | YES | CW | YES | 240 | 457 | 40° |
| CT85-56025X-M02 | 250 | 2.3 | 910 | 4/440 | YES | ACW | YES | 240 | 508 | 40° |
| CT85-56025T-M02 | 250 | 2.6 | 915 | 6/440 | YES | CW | NO | 240 | 508 | 40° |
| CT85-57030T-M02 | 300 | 2.7 | 910 | 6/440 | YES | CW | NO | 240 | 559 | 30° |
| CT85-56037X-M02 | 370 | 2.9 | 900 | 8/440 | YES | CW | YES | 240 | 559 | 35° |
| CT85-36025X-M02 | 250 | 0.95 | 900 | NIL | N/A | CW | YES | 415 | 508 | 40° |
| CT85-36037T-B02 | 370 | 1.1 | 890 | NIL | N/A | CW | YES | 415 | 559 | 35° |

* Fan selections are based on 5 blade propeller style fans and are a guide only. Check fan curves prior to selecting alternate style fans.

Note: Direction of Rotation is viewed from Shaft End

ACTROL Sales Offices

Victoria

19 King Street, Blackburn 3130
 38B Autumn Street, Geelong West 3218
 U3 & U4/26-28 Roberna Street, Moorabbin 3189
 7 Enterprise Court, Mulgrave 3170
 2 Reserve Street, Preston 3072
 U2/95 Drummond Road, Shepparton 3630
 U4/88 Dynon Road, West Melbourne 3003
 U2/410 Kiewa Street, Albury 2640

Ph: 03 9877 3487
 Ph: 03 5223 1088
 Ph: 03 9553 0422
 Ph: 03 9560 3800
 Ph: 03 9480 6355
 Ph: 03 5831 3727
 Ph: 03 9376 5222
 Ph: 02 6021 5522

Tasmania

5 Wilmot Street, Launceston 7250

Ph: 03 6344 7088

New South Wales

49 St. Hilliers Road, Auburn 2144
 U4/37 O'Riordan Street, Alexandria 2015
 U6/80 Reserve Road, Artarmon 2064
 81-83 Broadmeadow Road, Broadmeadow 2292
 24 Cobborah Road, Dubbo 2830
 U4/305 Manns Road, Gosford 2250
 U5/12 Robertson Place, Penrith 2750
 U2/28 Skinner Avenue, Riverwood 2210
 U3/17-25 Lake Albert Road, Wagga Wagga 2650

Ph: 02 9649 3554
 Ph: 02 9699 2644
 Ph: 02 9906 6011
 Ph: 02 4961 1441
 Ph: 02 6882 4666
 Ph: 02 4324 5768
 Ph: 02 4721 1850
 Ph: 02 9584 9111
 Ph: 02 6921 9272

ACT

72 Kembla Street, Fyshwick 2609

Ph: 02 6280 4176

Queensland

32 Perrin Place, Salisbury 4107
 U4/2 Kenworth Place, Brendale 4500
 8 Electra Street, Bundaberg 4670
 248 Hartley Street, Cairns 4870
 43 Butterfield Street, Herston 4006
 U1/11 Cemetery Road, Mackay 4740
 81 Wisers Road, Maroochydore 4558
 38 Glenmore Road, Rockhampton 4700
 U10 The Brickworks Warehouse Rd, Southport 4215
 173 Ingham Road, Townsville 4810

Ph: 07 3277 1781
 Ph: 07 3205 8922
 Ph: 07 4151 6533
 Ph: 07 4035 3088
 Ph: 07 3252 5591
 Ph: 07 4953 0734
 Ph: 07 5479 1110
 Ph: 07 4922 2841
 Ph: 07 5591 6050
 Ph: 07 4771 4131

Darwin, NT

F1/82 Winnellie Road, Winnellie 0820

Ph: 08 8984 4877

South Australia

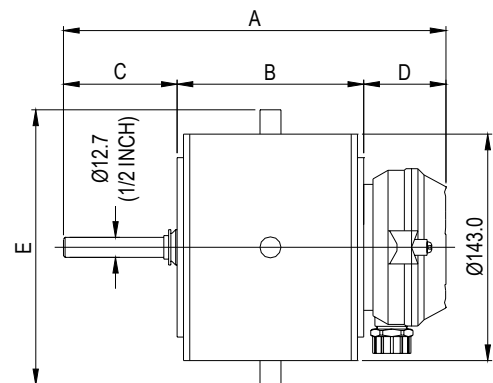
142 Richmond Road, Marleston 5033

Ph: 08 8234 1191

Western Australia

40 Abernethy Road, Belmont 6104
 U2/7 Forsyth Street, O'Connor 6163
 51 Frobisher Street, Osborne Park 6017

Ph: 08 9277 5922
 Ph: 08 9331 1244
 Ph: 08 9444 0088



DIMENSIONAL DATA

| PRODUCT CODE | DIMENSIONS | | | | |
|------------------|------------|-----|----|-----|-----|
| | A | B | C | D | E |
| CT85-54018X-M02 | 230 | 103 | 70 | 57 | |
| CT85-34018X-M02 | 232 | 103 | 72 | 57 | |
| CT85-34018X-F02 | 232 | 103 | 72 | 57 | 176 |
| CT85-57015X-M02 | 234 | 115 | 62 | 57 | |
| CT85-56025X-M02 | 258 | 127 | 74 | 57 | |
| *CT85-56025T-M02 | 211 | 132 | 79 | N/A | |
| *CT85-57030T-M02 | 207 | 145 | 62 | N/A | |
| CT85-56037X-M02 | 267 | 140 | 70 | 57 | |
| CT85-36025X-M02 | 253 | 122 | 74 | 57 | |
| *CT85-36037T-B02 | 205 | 131 | 60 | N/A | |

*Motors not fitted with Terminal Box
 CT85-34018X-F02 is only motor fitted with stud mount.
 All remaining motors are band mount.

**CONTACT YOUR NEAREST ACTROL BRANCH
FOR FURTHER INFORMATION**