



FASCO PHP ELECTRIC
MOTORS & BLOWERS



FASCO'S TECHNOLOGY HAS BEEN
ACHIEVED THROUGH CONSTANT
ASSURANCE AND INNOVATION

electric motors product catalogue

FASCO
ASIA PACIFIC

OVERVIEW

FASCO ASIA PACIFIC

The Fasco motors group is the world's leading manufacturer of specialty fractional horsepower electric motors and blowers. The worldwide Fasco motors group has a combined turnover in electric motor sales of more than one billion dollars. At Fasco Asia Pacific – as part of this group, we benefit from the strength of the combined resources in technology development, lean manufacturing and six sigma quality techniques. This enables us to ensure market leadership and to provide an unchallenged level of service to our diverse customer base.

Fasco Asia Pacific operates from two manufacturing facilities, Australia and Thailand. Fasco Motors Thailand was formed in April 1997 and Fasco Australia consolidated its manufacturing operations into the one site in Melbourne in August 1999.

Fasco Asia Pacific produces single and three phase motors with outputs between 2 and 3,800 watts in frame sizes including “C” Frame skeleton, NEMA 32, 38, 42, 48, 56 & 66 frames allowing the selection of the best motor for the application. Current applications include refrigeration, air conditioning & ventilation, swimming pool and spa pumps, household appliances, air compressors, farming equipment, cement mixers and catering equipment.

The end result is a customer-focussed organisation that supports every product in our range of industrial, commercial and domestic specialty motors.

ELECTRIC MOTORS CATALOGUE



CONTENTS

PAGE

C-FRAME - FAN & PUMP MOTORS

2

EVAPORATIVE COOLER PUMPS

3

5 SERIES

5

APPLIANCE MOTORS

7

6 & 7 SERIES

8

FAN COIL UNIT

9

CONDENSING UNIT

10

WINDOWS TYPE

11

CASSETTE TYPE

12

8 SERIES

13

9 SERIES

17

8 & 9 SERIES CONNECTION DIAGRAMS

21

AC BLOWER UNITS

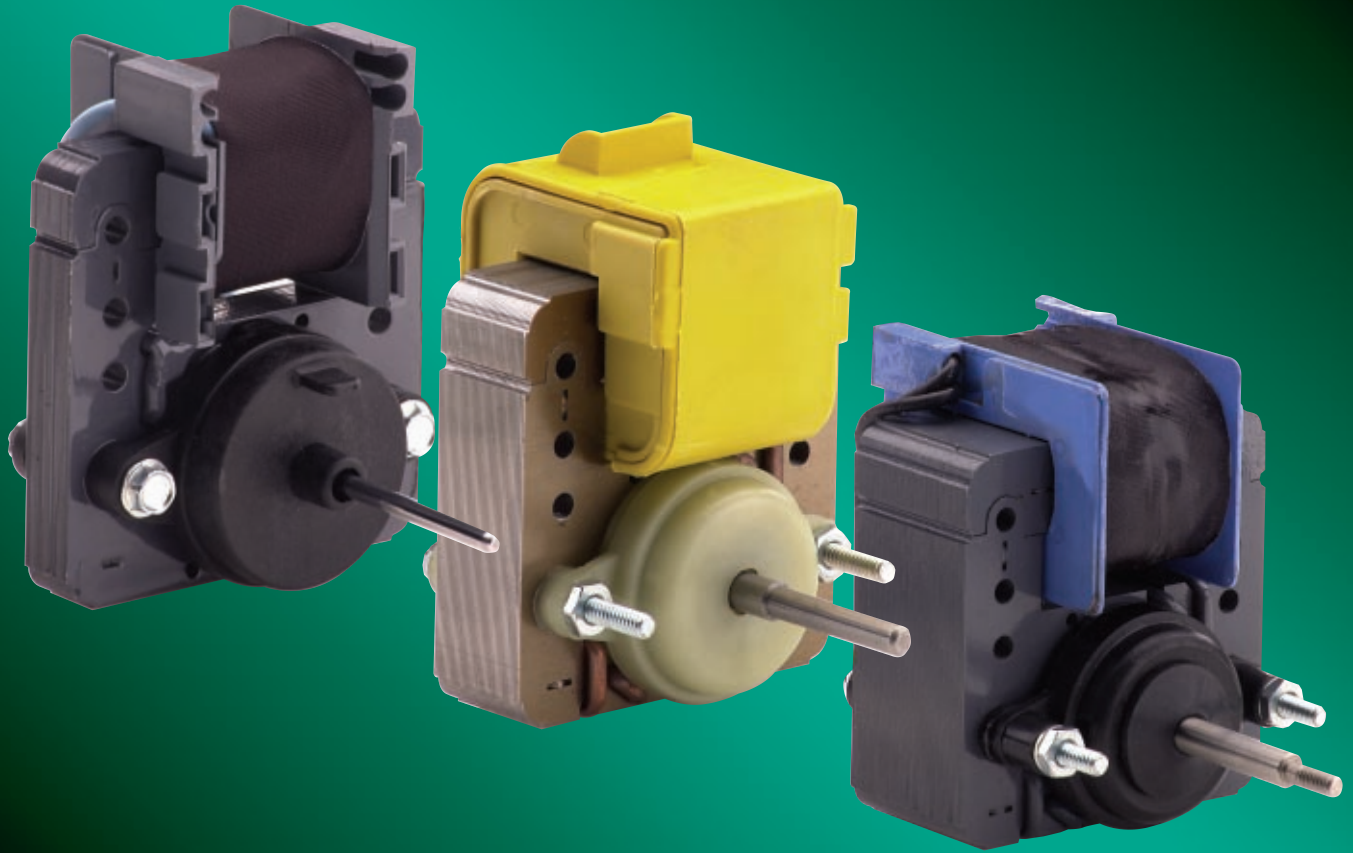
22

DC CABIN FANS

24

FAN & PUMP MOTORS

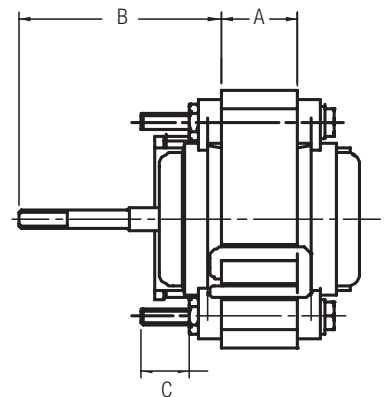
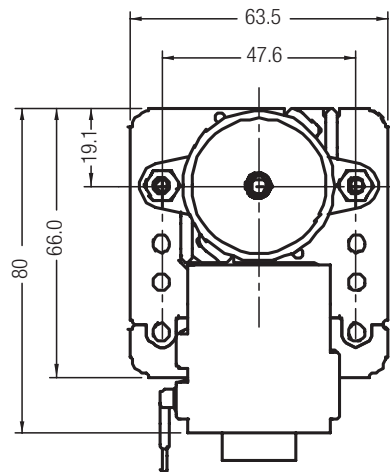
C FRAME



FEATURES

- > Australian made
- > Over 100 models available
- > Power output from 1W to 40W
- > 9mm to 50mm stack heights
- > Ball & sleeve bearing models
- > Multi-speed models available
- > Fan blades available
- > Shaded pole / 2 pole motors

DIMENSIONS



SPECIFICATIONS

MODEL	POWER OUTPUT	ROTATION	RATED CURRENT AMPS	BEARING TYPE	DIMENSIONS			SHAFT DIAMETER	STOCKLINE
					A	B	C		
J03RF03	1.5W	CLOCKWISE	0.15	SLEEVE	9	55.7	3.6	3.17MM	Y
J06BM19	6W	ANTI-CLOCK	0.30	BALL	19	49.5	12	4.74 / 4M FLAT	Y
J06RF07	4.3W	ANTI-CLOCK	0.30	BALL	19	49.5	9.3	4.74 / 4M FLAT	Y
J09OR05S	12W	ANTI-CLOCK	0.45	BALL	28.6	55.5	8.2	6 / 3.92 RH THREAD	Y

COOLER PUMPS

EVAPORATIVE COOLER PUMPS



FEATURES

- > Australian made
- > Clip-on water shield
- > Noise tested ball bearings
- > Proven reliability
- > Designed to suit Australian conditions
- > Australia wide services
- > Thermal overload protection
- > Filter basket available

INSTALLATION INSTRUCTIONS

1. The motor must be earthed.
2. The pump must be mounted vertically and the installer must ensure that the water level is not greater than 130mm (5") from the pump base.
3. For replacement installations using the FASCO PUMP it is recommended that a support bracket is fitted to the pump mounting flange.
4. For the correct cooler performance be sure that the pump output and hose connection sizes are suitable for the particular installation of selected FASCO PUMP model.
5. An adequate screen filter should be fitted to preclude the possibility of foreign objects fouling the impellor.
6. Observing the above instructions will ensure a very long, trouble free performance.

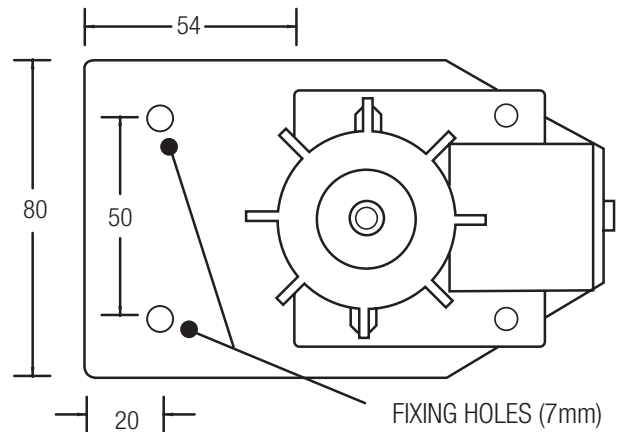
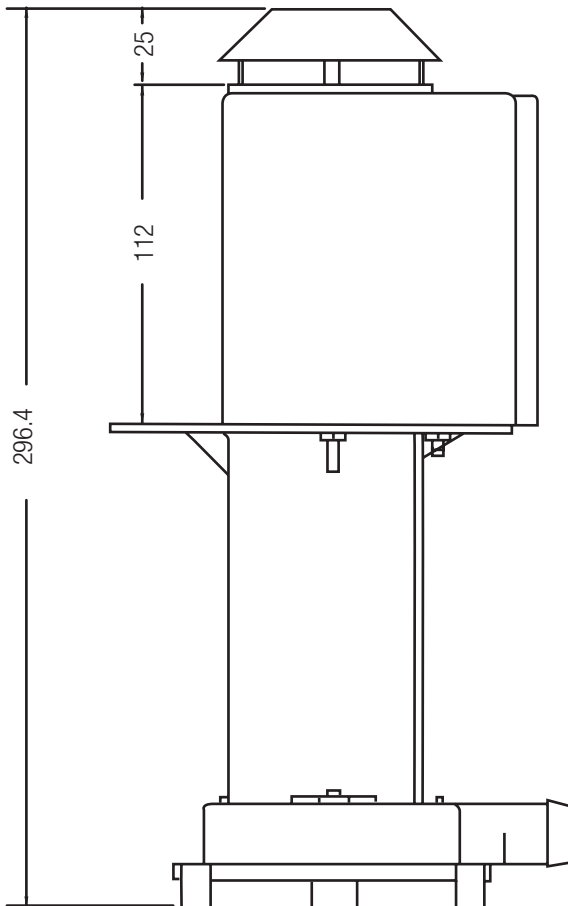
SPECIFICATIONS

Typical evaporative air cooler requirements

SIZE OF UNIT (THOUSANDS OF CUBIC FT PER MIN.)	WATERHEAD	LITRES PER MIN.
5	600mm	9
7.5	1000mm	11
10	1200mm	18
15	1400mm	20
25	1600mm	23

COOLER PUMPS

DIMENSIONS



TWO HOLE MOUNTING (COVER REMOVED)

PERFORMANCE FIGURES

LITRES/MIN USING 20MM HOSE

Waterhead	600mm	1000mm	1200mm	1400mm	1600mm
E/P19/S	19	16	14.5	12.5	9.5
E/P28/S	24	21.5	20	18	16.5
E/P38/S	29.5	27.5	26	24.5	23
E/P50/S	38	35.5	34	32	30.5

Note: Use of smaller hose will reduce flow rate.

ELECTRIC MOTOR DATA

MODEL	SUPPLY	NOM. AMPS	NOM. WATTS	NOM. RPM	O/L PROT	LEAD LENGTH	STOCKLINE
E/P19/S	240v 50hz	0.3	35	1700	imp. prot	2000mm	Y
E/P28/S	240v 50hz	0.35	45	2000	auto reset	2000mm	Y
E/P38/S	240v 50hz	0.38	50	2200	auto reset	2000mm	Y
E/P50/S	240v 50hz	0.48	60	2600	auto reset	2000mm	Y

FAN MOTORS

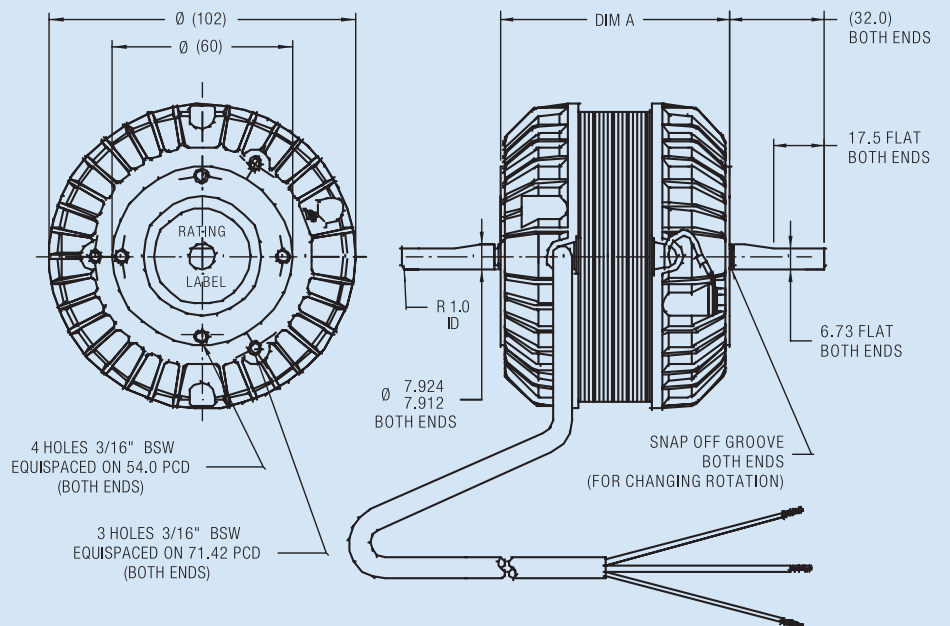


DIMENSIONS

MOTOR NO.	DIM. "A"
50D501-80A	64.0
50D502-80A	70.0
50D503-80A	77.0
50D505-80A	89.0

FEATURES

- > Australian made
- > Flexibility of application
- > Auto reset thermal protection on single phase
- > Confirmed output ratings
- > Noise tested bearings
- > Proven reliability



FAN MOTORS

MODELS – DOUBLE SHAFT

MODEL	POWER OUTPUT	ROTATION	RATED CUR. AMPS	MAX FAN BLADE	VOLTS	STOCKLINE
50D501 – 80A	10W	Bi-directional	0.3	250mm 40 deg.	240	Y
50D502 – 80A	20W	Bi-directional	0.5	250mm 40 deg.	240	Y
50D503 – 80A	40W	Bi-directional	0.78	275mm 40 deg.	240	Y
50D505 – 80A	60W	Bi-directional	1.0	350mm 40 deg.	240	Y

MODELS – HUB MOUNT

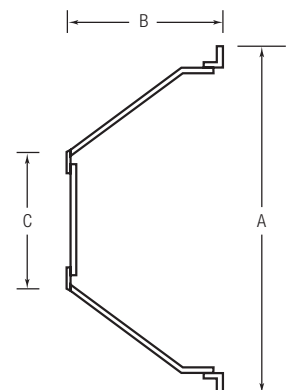
MODEL	POWER OUTPUT	ROTATION	RATED CUR. AMPS	SHAFT LENGTH (mm)	VOLTS	STOCKLINE
50D520 – 82A	8W	Anti-clockwise	0.18	34	240	Y
50D552 – 01A	10W	Anti-clockwise	0.3	31.5	240	N
50D501 – 81A	13W	Anti-clockwise	0.3A	38	240	Y
50D551 – 02A	20W	Anti-clockwise	0.41	31.1	240	Y
50D543 – 03A	35W	Anti-clockwise	0.63	38.5	240	Y
50D509 – 11A	40W	Anti-clockwise	0.4	38.5	415	N

MODELS – SPECIAL PURPOSE

MODEL	POWER OUTPUT	ROTATION	RATED CUR. AMPS	SHAFT/FLAT (mm)	VOLTS	STOCKLINE
50D521 – 76A	15W	Anti-clockwise	0.3	140/16 Thread	240	Y
50D551 – 01A	20W	Anti-clockwise	0.48	32/17.5	240	Y
50D509 – 22A	40W	Anti-clockwise	0.4	31/17.5	415	Y
50D505 – 71C	60W	Clockwise	1.0	38/20	240	Y

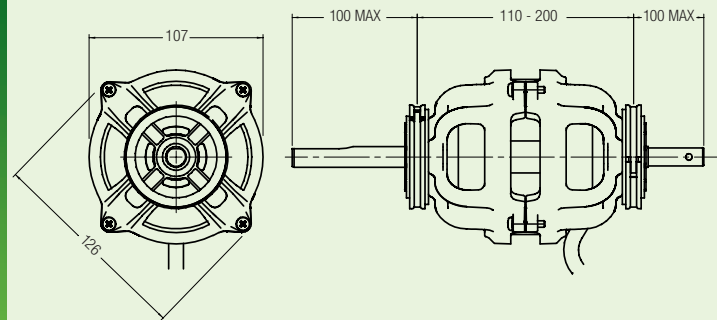
ACCESSORIES

MODEL	ITEM	DIMENSIONS			STOCKLINE
		A	B	C	
391-074-01	Bearing service pack				Y
MUA293-1	240mm Spider mount bracket	240	75	110	Y
MUA134-1	254mm Spider mount bracket	254	95	110	Y
MUA133-1	300mm Spider mount bracket	300	125	110	Y





DIMENSIONS

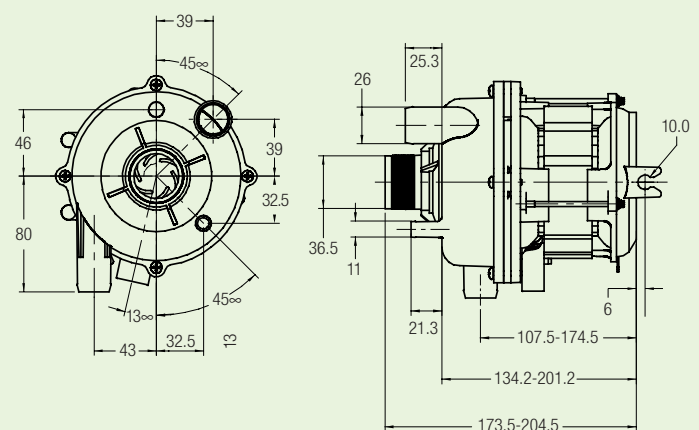


FEATURES

- > Single or double shaft
- > Two, Four and Six Pole
- > Power Output
 - Two Pole: 100W – 370W
 - Four Pole: 20W – 150W
 - Six Pole: 10W – 120W
- > Single or 3 phase power
- > Reversible
- > Thermal overload protection
- > Home appliance motor
- > Available to OEM's only



DIMENSIONS



FEATURES

- > Australian Made
- > Two and Four pole
- > Power Output
 - Two Pole: 100W – 370W
 - Four Pole: 20W – 150W
- > Thermal overload protection
- > Pump motor – dishwasher, chemical transfer & pool/spa pump
- > Single or 3 phase power
- > Available to OEM's only

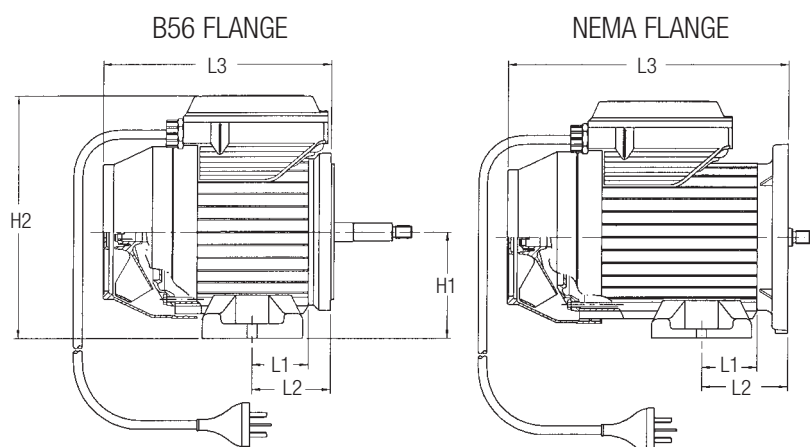
FASCO AQUADRIVE PUMP MOTORS FOR POOLS & SPAS



FEATURES

- > Output range 750W – 1500W
- > Aerodynamic fan & fin design provides quiet, cool running
- > Interlocked lamination ensures durability & consistent performance
- > Trickle varnishing improves reliability
- > Flexible mounting system suits different height requirements, and is non-corrosive
- > Developed by our design engineers to exceed Australian, U.S. and European Standard
- > Stainless steel shaft is corrosion-free providing enhanced durability
- > Powder-coated finish provides lasting good looks

DIMENSIONS



SPECIFICATIONS

	6 SERIES	7 SERIES
H1	95	95
H2	181	216
L1	50	50
L2	70	70
L3	218	205

Note: Dimensions are in mm. & are for reference only.
The table above shows only two standard motor sizes.
Please ask if you have different requirements.

AIR-CONDITIONER MOTORS (38, 42 & 48 FRAME)



FEATURES

- > Self-aligned sleeve / ball bearing
- > Quiet running
- > Auto-reset Overload Protector
- > Double Shaft Available
- > Output range 20 – 1100 Watts
- > Various mounting designs
- > High efficiency EER #5 (optional)
- > Custom Designer
- > Rust protective Shaft
- > IP 2X – 4X
- > 1 – 4 Speeds
- > Lubrication-free

MODELS EXISTING

MODEL	FRAME	POWER OUTPUT	VOLTS	HZ	RPM
S2-1/20-BD	42	36W	220	50/60	1300/3 Speeds
S2-1/15-G	42	58W	220	50/60	1326/3 Speeds
S2-1/15-BD	42	59W	220	50/60	1300/3 Speeds
S2-1/8-2K	42	80W	220	50/60	1300/3 Speeds

AIR-CONDITIONER MOTORS (42 & 48 FRAME)

CONDENSING UNIT



FEATURES

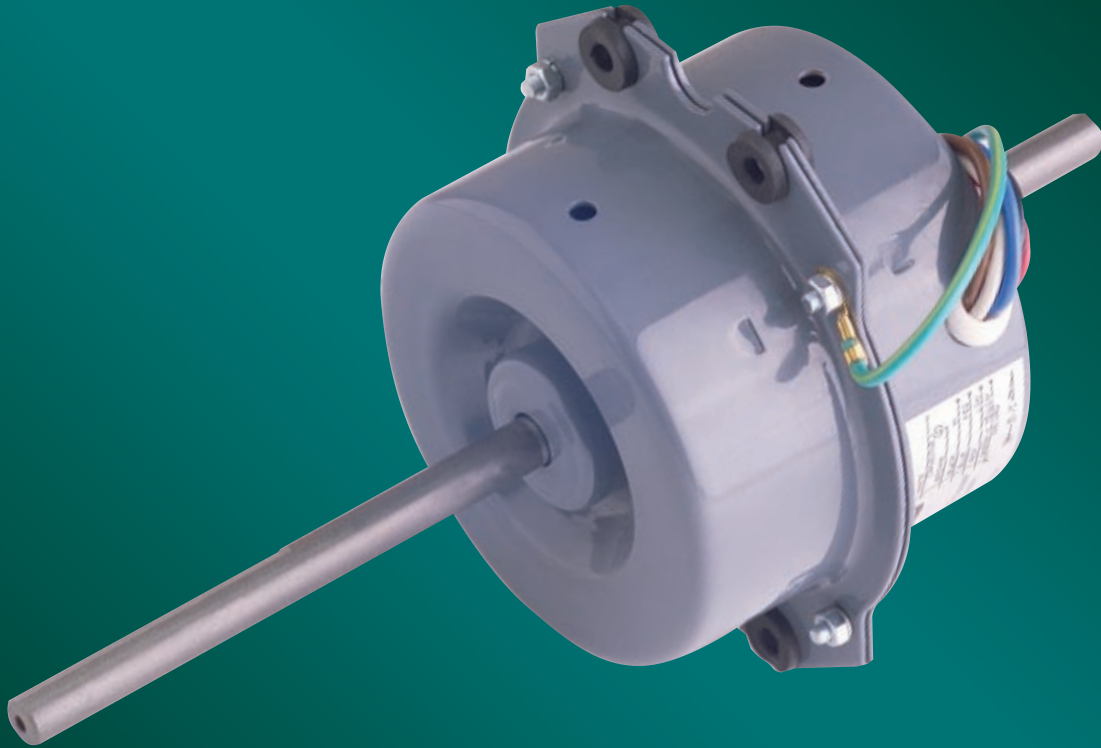
- > Heavy Duty Ball Bearing
- > Rain-proof Water-resist
- > Auto-reset Overload Protector
- > Shaft end with flat or thread
- > Output range for 20 – 750 Watts
- > Various mounting designs
- > High efficiency EER #5 (optional)
- > Custom Designer
- > Rust protective Shaft
- > IP 2X – 5X
- > 1 – 3 speeds

MODELS EXISTING

MODEL	FRAME	POWER OUTPUT	VOLTS	HZ	RPM
8074546GVS – A27EX	42	47W	220	50/60	930
B1 – 1/10 – 1W	42	47W	220	50	900
B1 – 1/8 – KA	42	88W	220	50	900/1000
807456KVS – A11EX	42	117W	220	50	900

AIR CONDITIONER MOTORS (38, 42 & 48 FRAME)

WINDOWS TYPE



FEATURES

- > Ball bearing
- > Low level of noise and vibration
- > Auto-reset overload protector
- > Shaft ends designed to fit function
- > Output range for 30 – 100 Watts
- > Various mounting designs
- > High efficiency
- > Rust protective shaft
- > Totally enclosed
- > 2 – 3 speeds
- > Maintenance-free

MODELS EXISTING

MODEL	FRAME	POWER OUTPUT	VOLTS	HZ	RPM
B2-1/15-2B	38	52W	220	50	1150/3 Speeds
M410859	48	80W	220	50	934

AIR CONDITIONER MOTORS (42 FRAME)

CASSETTE TYPE



FEATURES

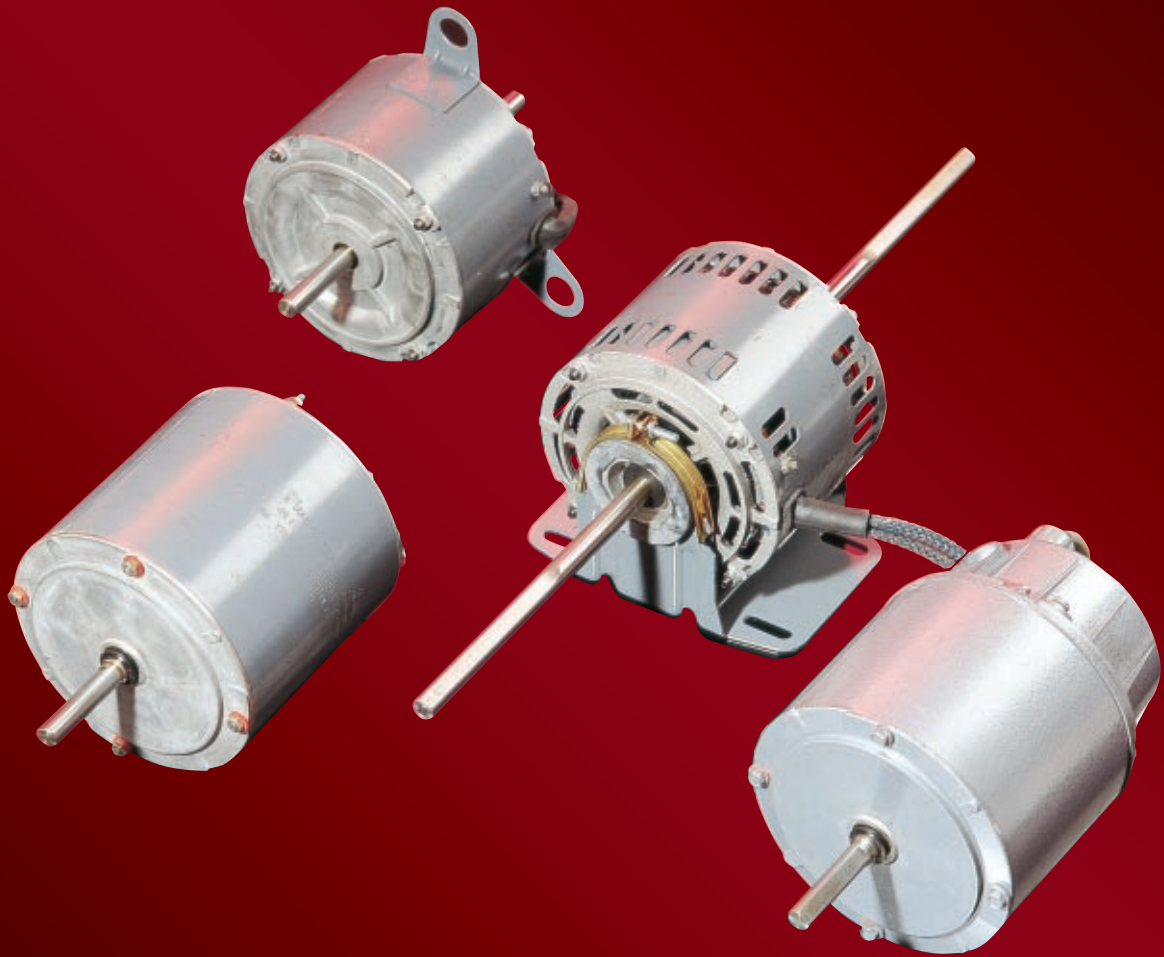
- > Heavy Duty Ball Bearing
- > Vertical shaft down application
- > Auto-reset Overload Protector
- > Shaft end with external thread
- > Output range from 15 - 160 Watts
- > Various mounting designs
- > High efficiency
- > Custom Designer
- > Rust protective Shaft
- > IP 2X – 4X
- > 1 – 4 speeds
- > Low level of noise and vibration

MODELS

MODEL	FRAME	POWER OUTPUT	VOLTS	HZ	RPM
807457GVA – A1 2	42	50W	220	50	679/3 Speeds
807457GVA – A1 3	42	44W	220	50	625/3 Speeds
807457EVA – A1 4	42	15W	220	50	504/3 Speeds

AIR MOVEMENT REPLACEMENT MOTORS

8 SERIES

**FEATURES**

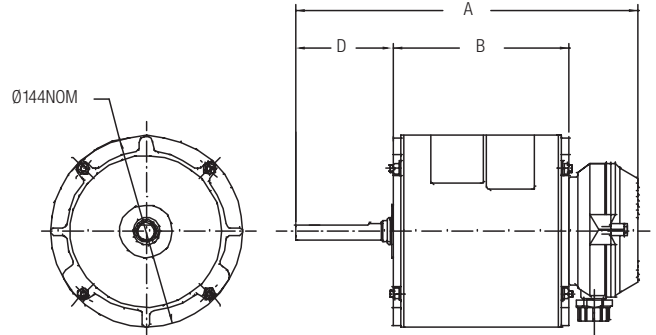
- > Permanent split capacitor (PSC)
- > Single & 3 Phase
- > 4 Pole & 6 Pole, with single & multiple speeds
- > Output Watts between 40W & 750W
- > Auto thermal overload protection.
- > Capacitors supplied with most models
- > 144MM body diameter
- > 12.7MM shaft diameter
- > Single & double shaft extension
- > Machined flat or drilled dimple to fan
- > Vented, non-vented & weather proof motors.
- > Shielded or sealed ball bearings.
- > Mounting brackets are available to suit most replacements.
- > Models can be of 8061S & or 8085 prefix.

WEATHERPROOF MOTORS – 240V & 415V

8 SERIES



DIMENSIONS



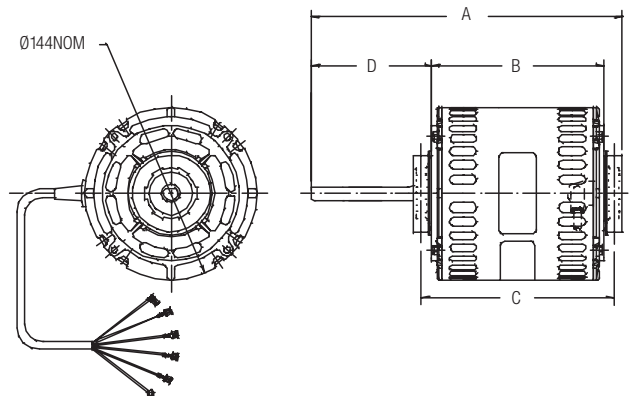
SPECIFICATIONS

PART NUMBER	POWER		ENCLOSURE	DIMENSION				CAPACITOR	SUPPLIED	REVERSIBLE	STOCK LINE
	OUTPUT	SPEED		A	B	C	D				
808554LTB-A80	180W	1380	CLOSED	230	104		70	4/440	Y	Y	Y
808557KTB-A11	150W	900	CLOSED	234	120		62.5	6/440	Y	Y	Y
8061S059-04	150W	900	CLOSED	182	120		62.2	6/440	N	N	N
8061S137-80	250W	910	CLOSED	261	132		73.5	4/440	Y	Y	Y
8061S120-80	370W	900	CLOSED	266	144		70	8/440	Y	Y	Y
808536MTB-A11	250W	900	CLOSED	252	125		74			Y	Y
8061S121-80	370W	890	CLOSED	207.5	132		60			Y	Y
8085334LTB-A12	180W	1400	CLOSED	236	108		72			Y	Y

SCROLL FAN BLOWER UNITS – 240V – RESILIENT MOUNTED SINGLE SHAFT



DIMENSIONS



SPECIFICATIONS

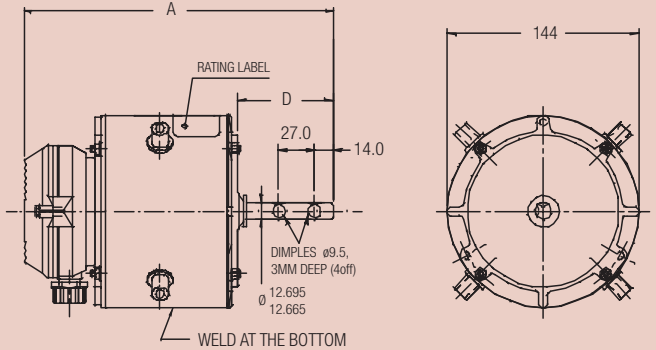
PART NUMBER	POWER		ENCLOSURE	DIMENSION				CAPACITOR	SUPPLIED	REVERSIBLE	STOCK LINE
	OUTPUT	SPEED		A	B	C	D				
8061S109-03	315W	1315	OPEN	235	120	137.5	100	4/440	N	N	N
8061S082-03	600W	1330	OPEN	258	143	157.5	100	15/440	N	N	N
8061S128-02	750W	1360	OPEN	258	143	157.5	100	20/400	N	N	N

LUG MOUNT MOTORS – 240V & 415V

8 SERIES



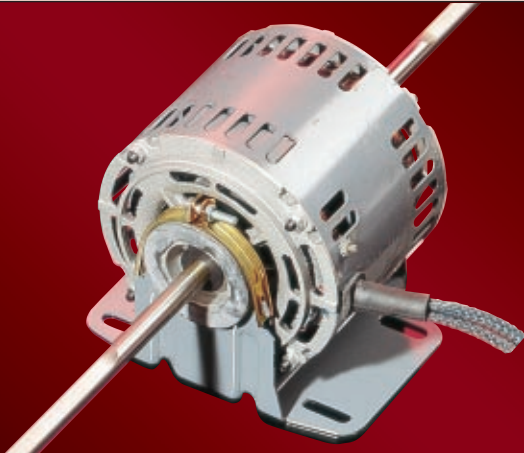
DIMENSIONS



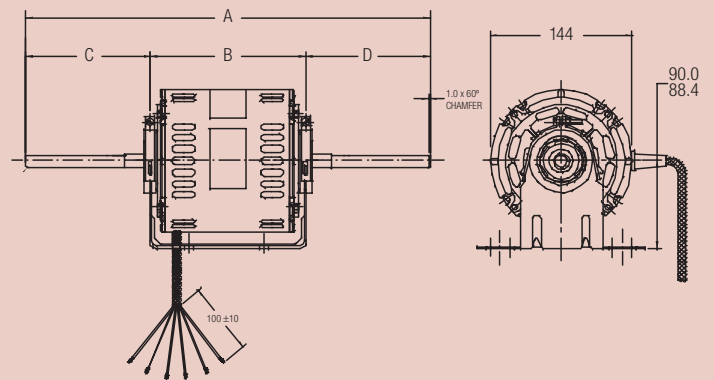
SPECIFICATIONS

PART NUMBER	POWER		ENCLOSURE	DIMENSION				CAPACITOR	SUPPLIED	REVERSIBLE	STOCK LINE
	OUTPUT	SPEED		A	B	C	D				
8061S057-80	90/60W	940/820	CLOSED	242	105	69	69	4/440	N	Y	Y
8061S107-02	180W	1400	CLOSED	236	109		72			Y	Y

SCROLL FAN BLOWER UNITS – 240V – RESILIENT MOUNT DOUBLE SHAFT



DIMENSIONS



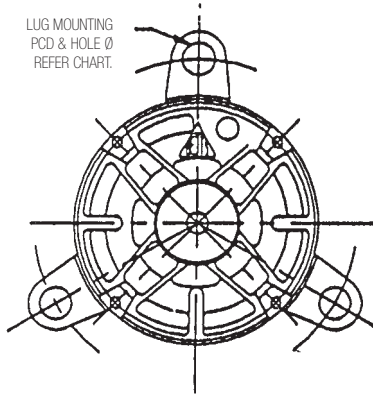
SPECIFICATIONS

PART NUMBER	POWER		ENCLOSURE	DIMENSION				CAPACITOR	SUPPLIED	REVERSIBLE	STOCK LINE
	OUTPUT	SPEED		A	B	C	D				
8061S134-80	40W	900	CLOSED	610	107	252	251.5	2/440	Y	Y	Y
8061S111-80	80W	1350	CLOSED	458	103	177.5	177.5	4/440	Y	Y	Y
8061S083-80	100W	1370	OPEN	493	101	181	181	2/440	Y	Y	Y
8061S122-80	130W	1370	OPEN	450	102	173.5	173.5	4/440	Y	Y	Y
8061S130-80	130W	910	CLOSED	523	119	202	202	4/440	Y	Y	Y
8061S004-80	200W	890	OPEN	523	119	202	202	4/440	Y	Y	Y
8061S019-80	250W	1300	OPEN	517	105	206	206	6/440	Y	Y	Y
8061S109-01	425W	1315	OPEN	523	119	202	202	10/440	N	Y	Y
	290W	1315	OPEN	523	119	202	202	2/440	N	Y	Y
	335W	1315	OPEN	523	119	202	202	4/440	N	Y	Y
	360W	1315	OPEN	523	119	202	202	6/440	N	Y	Y
	390W	1315	OPEN	523	119	202	202	8/440	N	Y	Y
8061S082-80	600W	1330	OPEN	610	143	234	234	15/440	Y	Y	Y
8061S128-80	750W	1360	OPEN	530	158	186	186	20/400	Y	Y	Y

AIR MOVEMENT ACCESSORIES

8 SERIES

LUG MOUNTING KITS



SPECIFICATIONS

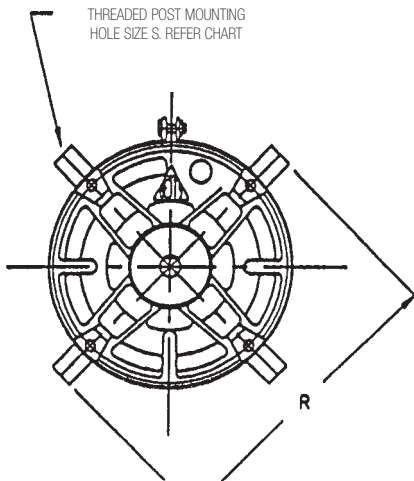
PART NUMBER	LUG HOLE P.C.D	LUG HOLE DIA.
391-127-J	202.8	17.5
391-127-K	190.0	19.0
391-127-L	171.0	7.2
391-127-M	180.6	10.3
391-127-N	180.6	12.7
391-127-P	202.8	7.2

NOTE: For motors with lug mounting outside above range, remove original mount lug and adapt by using mounting band.

LUG MOUNTING KITS

(Order with motor part no. as listed)
(Consists of lug mounting + clamp band).

THREADED POST MOUNTING KITS



SPECIFICATIONS

PART NUMBER	R	THREAD SIZE
391-127-A	160.0	3/8 BSW
391-127-B	176.0	3/8 BSW
391-127-V	176.0	3/8 BSW
391-127-U	189.0	3/8 BSW

THREADED POST MOUNTING PACKS

(Order with motor part no. as listed)
(Consists of lug mounting + clamp band).

WEATHERPROOF SHAFT SLINGER



SPECIFICATIONS

PART NUMBER	SUITS SHAFT SIZE	MATERIAL
MUA395-1	1/2"	ALUMINIUM
5-8725-6021	1/2"	PLASTIC
5-8860-6000	5/8"	PLASTIC

WEATHERPROOF SHAFT SLINGER

Recommended use on weatherproof motors with shaft up.
Apply sealant after fitting to shaft.

Flexible mounting kits help to adapt motors to suit different requirements

MULTI-MOTORS

9 SERIES

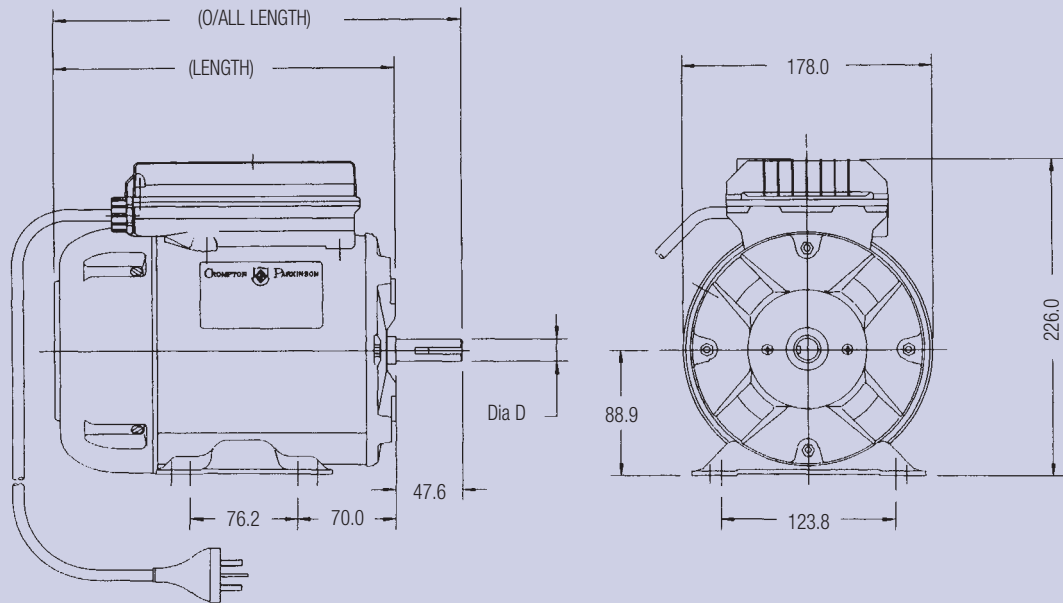


FEATURES

- > Heavy rolled steel shell
- > Easy change of rotation
- > Heavy duty centrifugal switch
- > Tablock bearing retention
- > Low noise level
- > Australia wide service
- > Wide range of outputs
- > Class F insulation
- > Single & three phase models
- > Thermal overload protection
- > Unique free access Multi Box

DIMENSIONS

MULTI-MOTORS are made in accordance with International Standards – with a reputation for excellence that has made them the Asia Pacific market leaders – and a range of TEFC motors to suit every domestic, commercial and industrial application.



SPECIFICATIONS

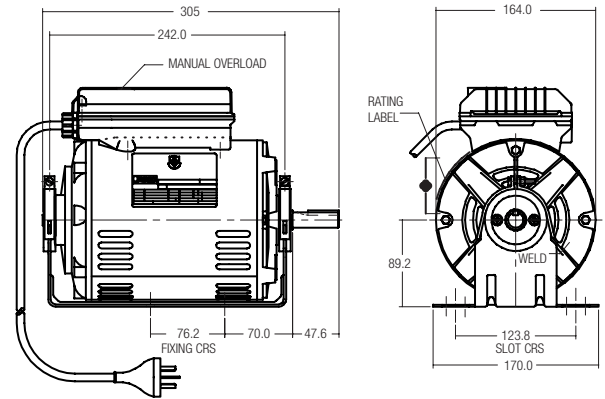
MODEL NO.	POWER OUTPUT	NOMINAL SPEED (RPM)	SUPPLY	LENGTH (MM)	OVERALL LENGTH (MM)	SHAFT DIA D (MM)	STOCK LINE
809212NTE-C01	370W	2850	240V 1 PH 50 HZ	242.5	290	15.875	Y
809414NTE-C01	370W	1440	240V 1 PH 50 HZ	272.5	320	15.875	Y
809416NTE-C01	370W	930	240V 1 PH 50 HZ	242.5	290	15.875	Y
809424PTE-C01	550W	1440	240V 1 PH 50 HZ	242.5	290	15.875	Y
809222QTE-C01	750W	2850	240V 1 PH 50 HZ	242.5	290	15.875	Y
809424QTE-C01	750W	1440	240V 1 PH 50 HZ	242.5	290	15.875	Y
809222STE-C01	1100W	2850	240V 1 PH 50 HZ	242.5	290	15.875	Y
809424STE-C01	1100W	1440	240V 1 PH 50 HZ	292.5	340	15.875	Y
809222XTE-C01	1500W	2850	240V 1 PH 50 HZ	262.5	310	19.05	Y
809424XTE-C01	1500W	1440	240V 1 PH 50 HZ	317.5	365	19.05	Y
809434NTE-B01	370W	1440	415V 3 PH 50 HZ	242.5	290	15.875	Y
809434QTE-B01	750W	1440	415V 3 PH 50 HZ	242.5	290	15.875	Y

STD RESILIENT MOUNT MOTORS – 240V /50HZ

9 SERIES



DIMENSIONS



SPECIFICATIONS

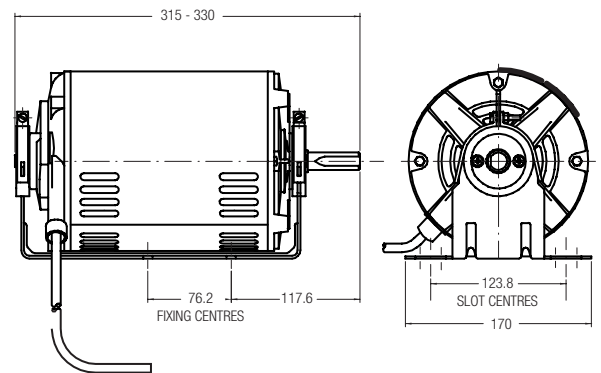
PART NUMBER	POWER OUTPUT	NOMINAL SPEED (RPM)	ENCLOSURE	WINDING TYPE	MOUNTING	STOCKLINE
809314NVB-C02	370W	1440	D.P	CSIR	RESILIENT	Y
809324QVB-C02	750W	1440	D.P	CSCR	RESILIENT	Y

CRIR & CSCR type, self ventilated fitted with manual reset overload. 5/8" shafts.

EVAPORATIVE COOLER MOTOR 240V – RESILIENT MOUNT



DIMENSIONS



SPECIFICATIONS

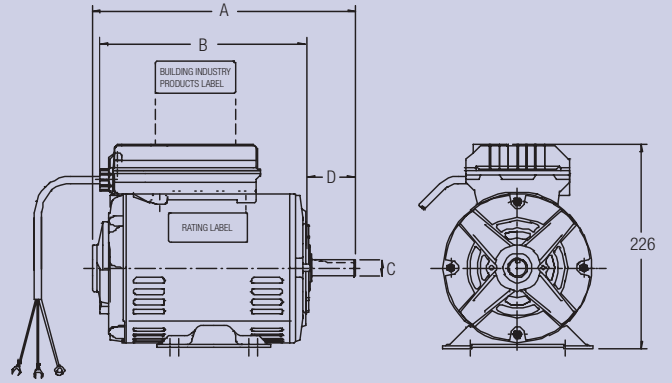
PART NUMBER	POWER OUTPUT	NOMINAL SPEED (RPM)	ENCLOSURE	WINDING TYPE	MOUNTING	STOCKLINE
809441PVB-B11	550/180W	1440/935	D.P	2 SPEED POLE CHANGE	RESILIENT	Y
809441QVB-B11	750/250W	1440/935	D.P	2 SPEED POLE CHANGE	RESILIENT	Y
809454PVB-A16	600W	1440	D.P	3 SPEED PSC	RESILIENT	Y
809454PVB-B19	550W	1440	D.P	VARIABLE SPEED PSC	RESILIENT	Y
80945BQVB-B11	750W	1440	D.P	VARIABLE SPEED PSC	RESILIENT	Y
809455SVB-B14	1100W	1440	D.P	2 SPEED PSC	RESILIENT	Y
809455XVB-B14	1500W	1440	D.P	2 SPEED PSC	RESILIENT	Y

AIR COMPRESSOR MOTORS – 240V FOOT MOUNTED

9 SERIES



DIMENSIONS



FEATURES

- > Foot mounted with manual reset overload.
- > General purpose motors (809314NVB-C01 & 809324QVB-C01) are vented & fan cooled.
- > Ventilated IP22 protection 750 watt & above have capacitor start, capacitor run.

Note: 2 pole compressor motors have a 3/4" shaft diameter.
4 pole general purpose motors have a 5/8" shaft diameter.

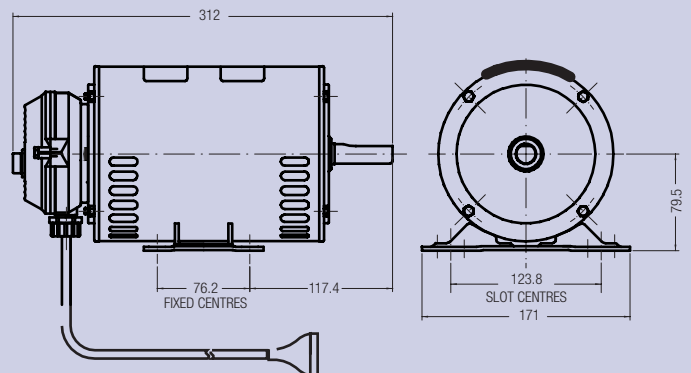
SPECIFICATIONS

PART NUMBER	DESCRIPTION	POWER OUTPUT	SPEED	ENCLOSURE	DIMENSION				STOCKLINE
					A	B	C	D	
809314NVB-C01	370W 240V 4 POLE	370W	1440	D.P	270	222	5/8"	47.6	Y
809324QVB-C01	750W 240V 4 POLE	750W	1440	D.P	280	232	5/8"	47.6	Y
809122XVB-C01	1650W 240V 2 POLE	1650W	2860	D.P	290	242	3/4"	47.6	Y
809122WB-C01	2200W 240V 2 POLE	2200W	2860	D.P.F.C.	333	285	3/4"	47.6	Y

CEMENT MIXER MOTOR – 240V – REVERSIBLE



DIMENSIONS



SPECIFICATIONS

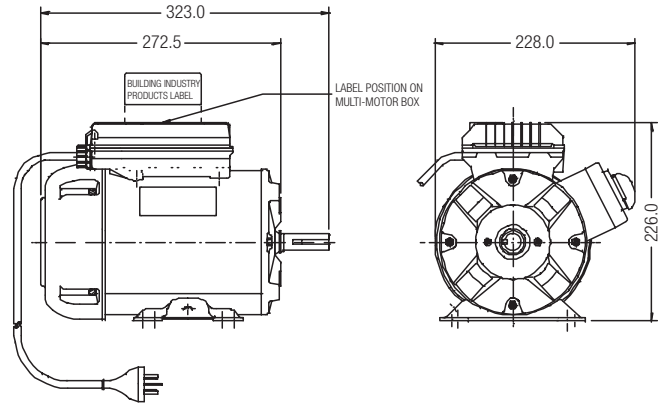
PART NUMBER	POWER OUTPUT	NOMINAL SPEED (RPM)	ENCLOSURE	WINDING TYPE	MOUNTING	STOCKLINE
808554PVA-A16	550W	1440	D.P	CSR	STD	Y

BRICKSAW MOTORS – 240V – HEAVY DUTY

9 SERIES



DIMENSIONS



FEATURES

- > Heavy rolled steel shell
- > 2 Pole 2850 RPM
- > Output Watts 1650W
- > Manual thermal overload protection.
- > Heavy duty on / off switch
- > Solid foot mounting

SPECIFICATIONS

PART NUMBER	POWER OUTPUT	NOMINAL SPEED (RPM)	ENCLOSURE	WINDING TYPE	MOUNTING	STOCKLINE
809222XTE-C11	1650W	2860	T.E.F.C	CSCR	STD B56 FOOT	Y
809222XTE-C12	1650W	2860	T.E.F.C	CSCR	STD B56 FOOT	Y

VENTILATOR EXHAUST MOTOR



FEATURES

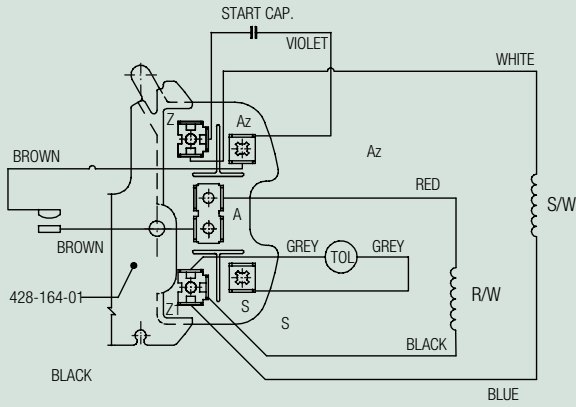
- > Ventilator exhaust air movement motor
- > Single phase
- > 240 V 50Hz
- > PSC Design
- > totally enclosed
- > Air stream rated
- > Smooth skin
- > Brand Mounted
- > 5/8" diameter shafts

SPECIFICATIONS

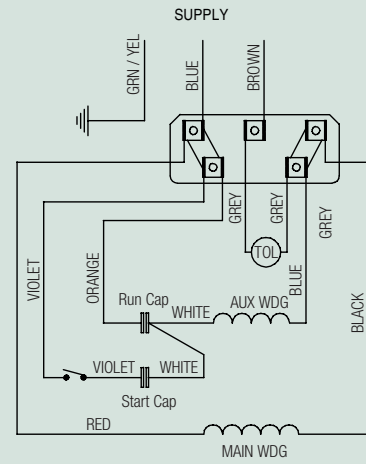
PART NUMBER	POWER OUTPUT	NOMINAL SPEED (RPM)	ENCLOSURE	WINDING TYPE	MOUNTING	STOCKLINE
809456NTC-B11	370W	960	T/E	CSR	SUIT BAND MT.	Y

CONNECTION DIAGRAMS

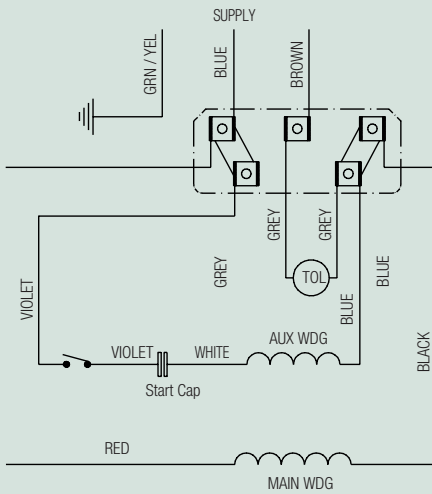
9 SERIES



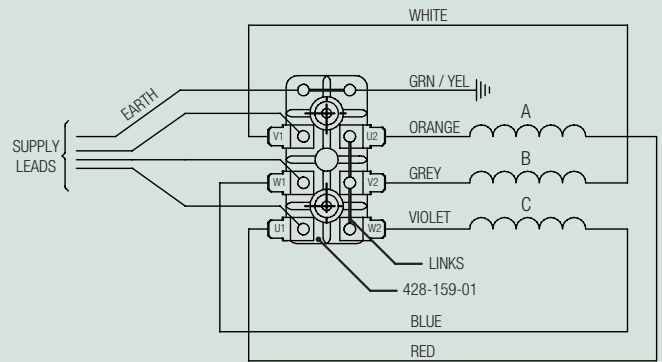
MAIN TO A & S
TO REVERSE ROTATION TRANSPOSE BLUE AND WHITE LEADS



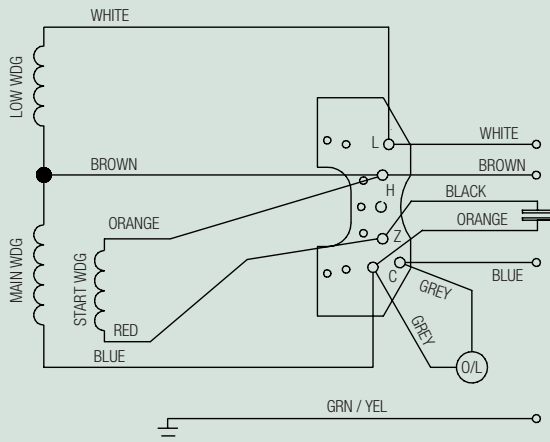
CONNECTED AS SHOWN WILL GIVE CLOCKWISE ROTATION WHEN VIEWED FROM DRIVE END OF MOTOR
TO REVERSE ROTATION INTERCHANGE RED AND BLACK LEADS FROM MAIN WDG.



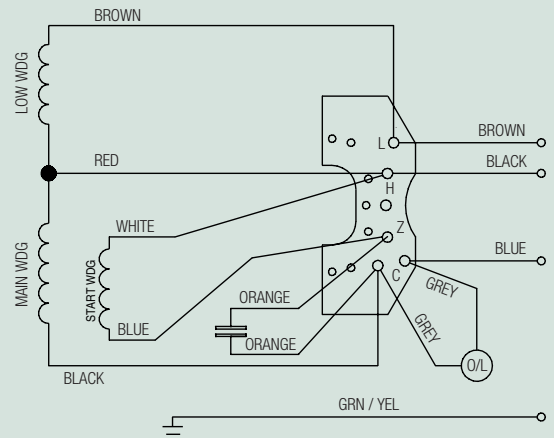
CONNECTED AS SHOWN WILL GIVE CLOCKWISE ROTATION WHEN VIEWED FROM DRIVE END OF MOTOR
TO REVERSE ROTATION INTERCHANGE RED AND BLACK LEADS FROM MAIN WDG.



415V3 PHASE STAR CONNECTION LINKS BETWEEN - U2-V2, V2-W2
FOR 240V 3 PHASE DELTA CONNECTION REFER 305-656-04



TO REVERSE ROTATION, INTERCHANGE ORANGE AND RED LEADS FROM START WDG.



TO REVERSE ROTATION, INTERCHANGE WHITE AND BLUE LEADS FROM START WDG.

FEATURES

- > Quiet running
- > High temperature bearings
- > Flange mounting
- > Aluminium / steel wheels
- > May be used with a speed controller
- > Baked enamel metal housing
- > Stockline

EB80



EB140



EB160



EB220



EB400



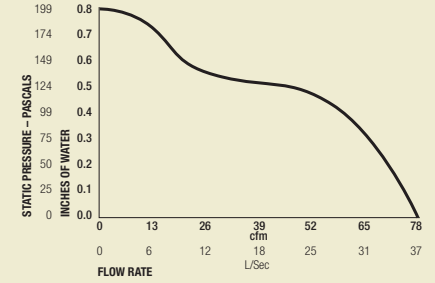
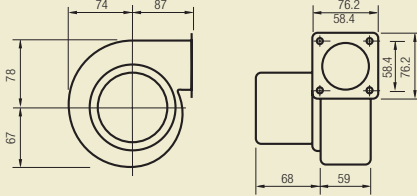
DOUBLE BLOWER



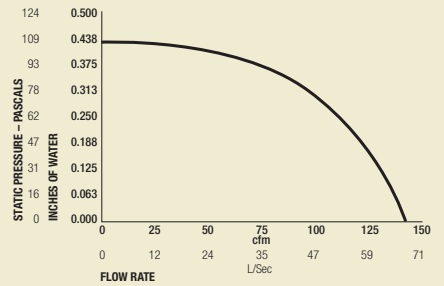
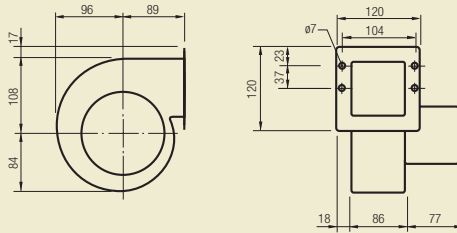
SPECIFICATIONS

FLOW CURVE

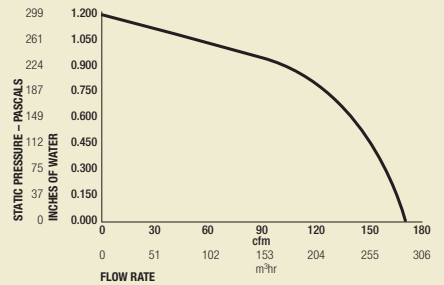
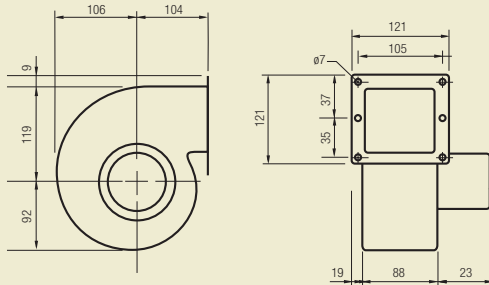
EB80



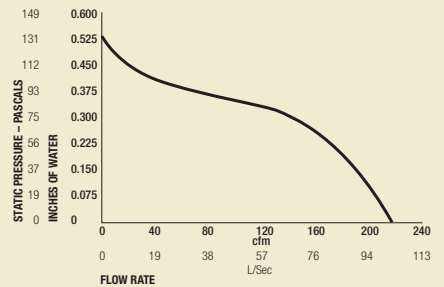
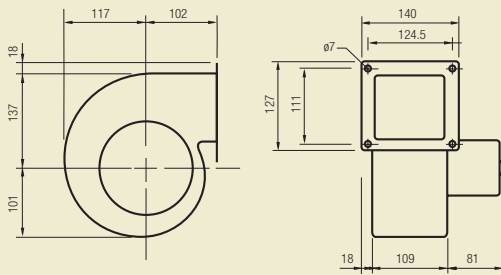
EB140



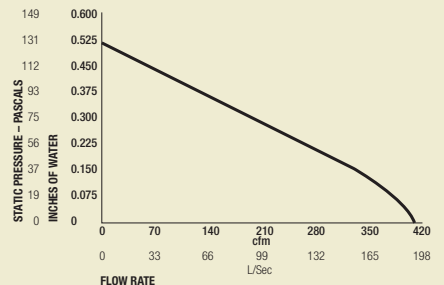
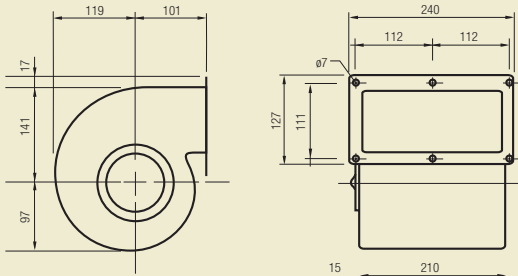
EB160



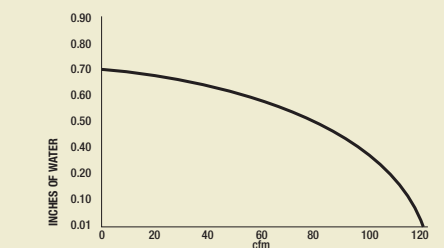
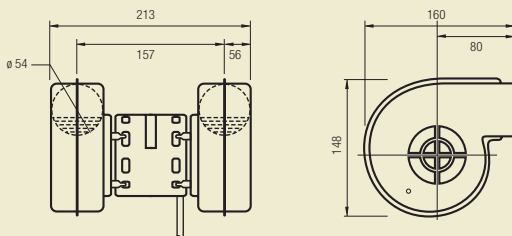
EB220



EB400



DOUBLE BLOWER

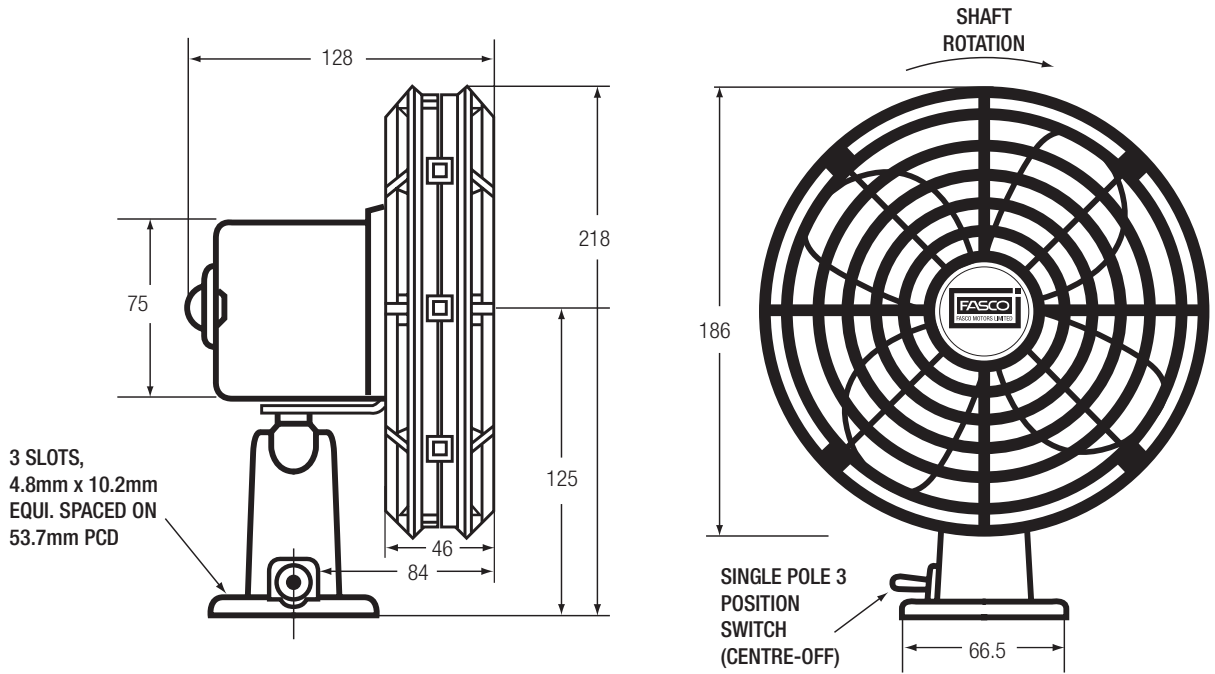




FEATURES


- > Cabin fan for trucks, tractors, buses, boats, aircraft & recreational vehicles
- > Adjustable fan head
- > 2 speeds
- > 100 cfm air flow

DIMENSIONS



SPECIFICATIONS

MODEL NO.	VOLT	SPEED	COLOUR	FLOW (CFM)	STOCKLINE
5-FP103-12	12	2	BLACK	100	Y
5-FP106-24	24	2	BLACK	100	Y



Fasco Asia Pacific may provide technical assistance to our customers in many areas. Since, however, Fasco is not aware of all data concerning the use and application of our motors, the fitness of the motor for the application must be determined by and is the responsibility of the customer. Whilst every effort was made to ensure all information was correct at the time of publication, Fasco Asia Pacific shall not be held liable for any errors and warranty will not be given in such case. Fasco Asia Pacific reserves the right to change product without notice.



REGIONAL OFFICE
FASCO Asia Pacific

FASCO Australia Pty Ltd.

198 Boundary Road
Braeside Victoria 3195 Australia
Tel: +61 3 8586 1100
Fax: +61 3 8586 1150

FASCO Motors (Thailand) Ltd

29/7-8 Moo 3 Bangkruay-Sainoi Road
Bangkrang, Muang Nonthaburi District
Nonthaburi 11000 Thailand
Tel: +662 447 3300
Fax: +662 447 3500

Web: www.fasco.com.au

