

The logo for silensys, featuring a blue square with a white swoosh above the word "silensys" in a white, lowercase, sans-serif font.

The *Silent* Professional



Packaged refrigeration
condensing units





CAPACITY selection data

R404A MEDIUM temperature application

Cat.No.	Model	Compressor			Amb. Temp °C	R404A Capacity: Watts						Conns. Suction: Liquid	Nom. FLA
		Model	Nom. HP	Motor Type		Evaporating Temperature: C							
						-15	-10	-5	0	7.2	10		
259709	H14Z	CAE9460Z	1/2	CSR	32	771	949	1132	1334	1663	1782	3/8" : 1/4"	4.4
					38	714	880	1053	1243	1555	1668		
					43	671	830	996	1179	1480	1590		
259708	H21Z	CAJ9480Z	5/8	CSR	32	1062	1294	1569	1834	2280	2428	1/2" : 3/8"	6.9
					38	981	1201	1459	1709	2132	2273		
					43	741	972	1178	1413	1761	1886		
259714 259715	H38Z H38Z	CAJ4517Z TAJ4517Z	1 1/4	CSR 415/3	32	1702	2125	2488	3011	3623	3953	5/8" : 3/8"	11.2 4.6
					38	1575	1972	2314	2806	3388	3701		
					43	1481	1859	2187	2661	3225	3528		
259716 259717	H49Z H49Z	CAJ4519Z TAJ4519Z	1 1/2	CSR 415/3	32	2256	2724	3245	3727	4566	4852	5/8" : 3/8"	16 5.4
					38	1953	2387	2836	3310	4046	4317		
					43	1665	2065	2452	2897	3546	3770		
259720 259721	H54Z H54Z	FH4524Z TFH4524Z	2	CSR 415/3	32	2446	3097	3774	4552	5877	6354	5/8" : 3/8"	18.7 6.9
					38	2122	2654	3344	4061	5243	5681		
					43	1830	2378	2919	3567	4620	5016		
259713	H116Z	TAG4546Z	4	415/3	32	4251	5529	6863	8394	11313	12171	7/8" : 1/2"	12.6
					38	3935	5130	6382	7823	10578	11395		
					43	3454	4491	5756	7030	9275	9921		
259718	H166Z	TAG4573Z	6 1/2	415/3	32	7477	9065	10884	12792	16203	17454	1 1/8" : 5/8"	20.4
					38	6921	8410	10121	11922	15150	16340		
					43	5926	7384	8903	10510	11952	12654		

R404A LOW temperature application

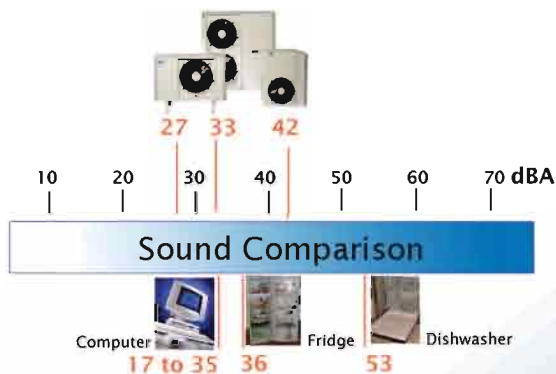
Cat.No.	Model	Compressor			Amb. Temp °C	R404A Capacity : Watts						Conns. Suction: Liquid	Nom. FLA
		Model	Nom. HP	Motor Type		Evaporating Temperature : °C							
						-40	-35	-30	-23.3	-15	-10		
259706	B09Z	CAJ2440Z	3/4	CSR	32	343	507	672	936	1368	1644	1/2" : 3/8"	6.8
					38	316	468	622	869	1278	1537		
					43	256	362	497	764	1042	1269		
259725	B22Z	TFH2480Z	2	415/3	32	798	1259	1752	2160	3051	3484	5/8" : 3/8"	4.5
					38	703	1121	1576	1972	2832	3267		
					43	628	1012	1438	1824	2659	3095		
259726	B29Z	TFH2511Z	2 1/2	415/3	32	960	1569	2145	2920	4182	5130	5/8" : 3/8"	5.6
					38	766	1288	1789	2587	3759	4513		
					43	638	1026	1502	2226	3122	3821		
259705	B43Z	TAG2516Z	4	415/3	32	1378	2160	3080	4495	6631	8046	7/8" : 3/8"	11
					38	879	1830	1904	3905	5807	7111		
					43	664	1384	2129	3347	5189	6474		
259704	B53Z	TAG2522Z	5 1/2	415/3	32	1810	2634	2665	5296	7642	9195	7/8" : 3/8"	15.2
					38	1594	2345	2398	4835	7093	8622		
					43	1175	1752	2596	3871	5745	7003		

Operating conditions: Return gas at 20 °C. Current FLA are given at nominal voltage at ambient

Operating Limits:

Limit the suction superheat to a maximum of 30K above the saturated suction temperature

Limit the suction superheat to a maximum of 20K above the saturated suction temperature.

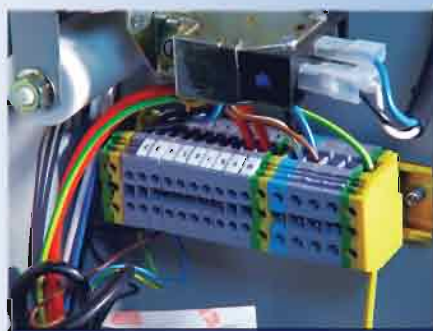


LOW NOISE

Between 27-42 dBA at 10 metres
Insulated compressor compartment
Low speed condenser fan
Fan speed control

PACKAGED

2-3 independent compartments for easy servicing
1.5mm zinc plated steel sheet with epoxy powder coat finish
Wall and/or base mounting for fast installation



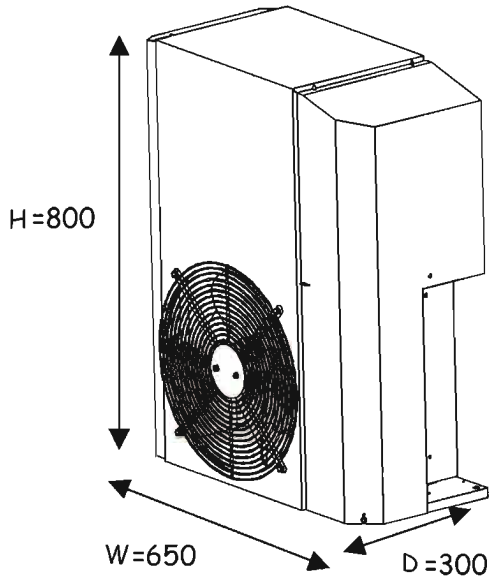
High Ambient

HTA condensers for proven performance in temperatures of up to 46°C
Low energy consumption

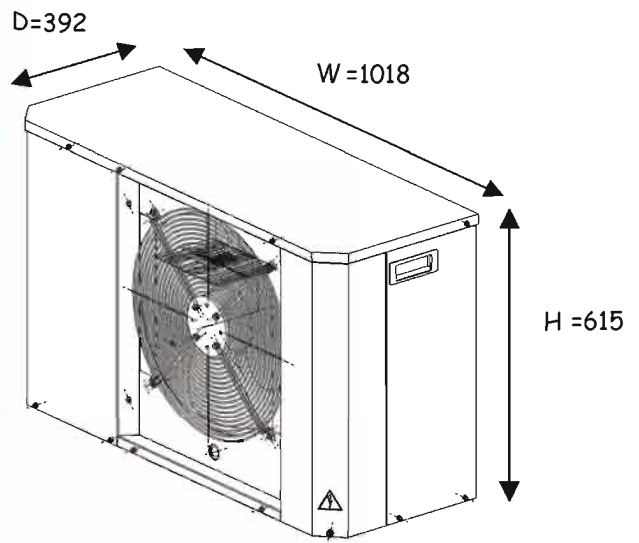
Standard Features

HP/LP pressure switch auto reset
Condenser fan speed control
Connection block on DIN rail
Liquid receiver
Liquid line filter drier
Moisture indicator
Holding charge of dry nitrogen

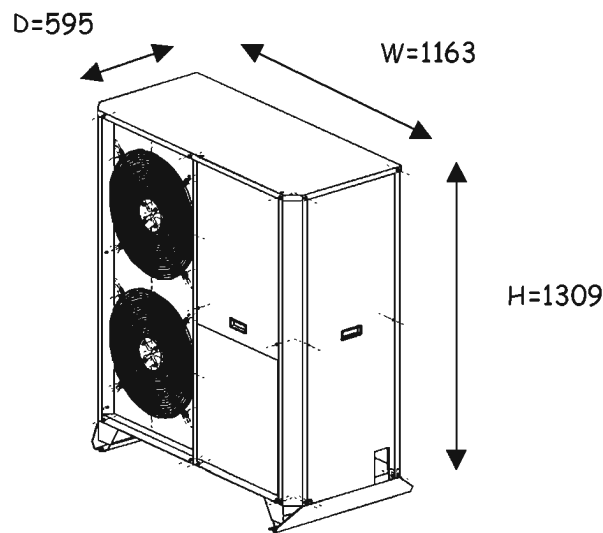
Dimensions



MODEL NO. H14Z, H21Z, B09Z



MODEL NO. H38Z, H49Z, H54Z, B22Z, B29Z



MODEL NO. H116Z, H166Z, B43Z, B53Z