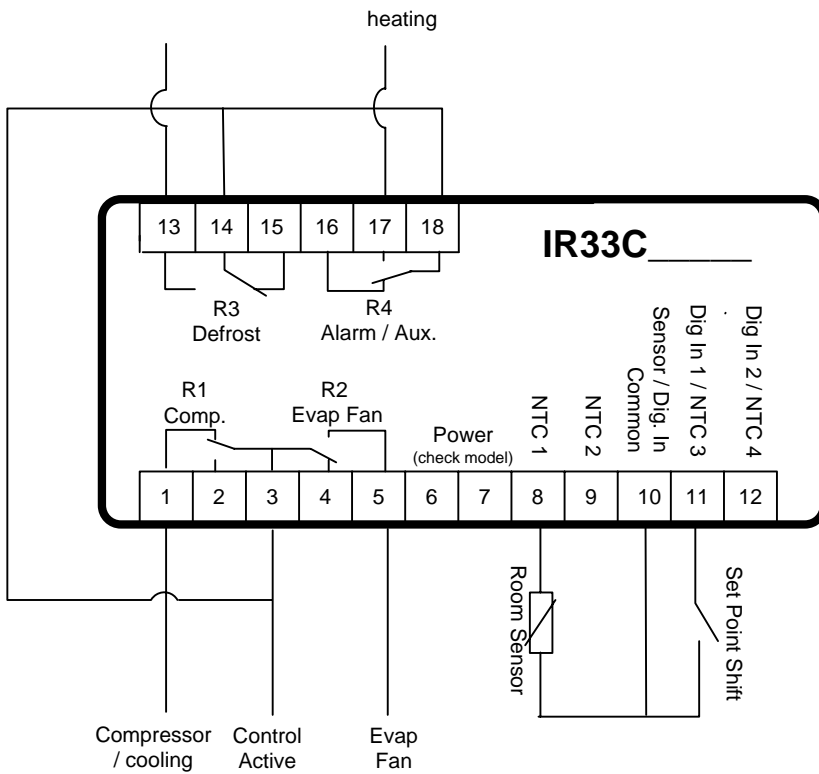
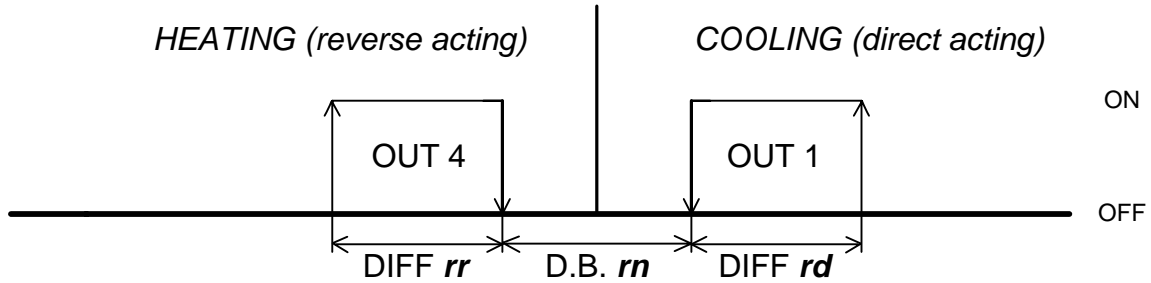


#### SETPOINT ST1



PARAMETERS
<b>rd = cooling differential (1)</b>
<b>rn = neutral zone (1)</b>
<b>rr = heating differential (1)</b>
<b>r3 = 1 cooling only (no defrost)</b>
<b>a4 = 7 (curtain switch)</b>
<b>r4 = XX (value to add to setpoint when contact closed)</b>
<b>h1 = 11 aux relay for heating</b>

SIZE	Controller Part Number	Carel Infrared Series	REV
A4	IR33C_____	IR33C -Heating and Cooling	1.0
SCALE	N.T.S.	DRAWING NUMBER: IR33C_C_H	SHEET 1 OF 1