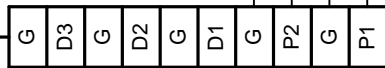
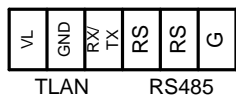
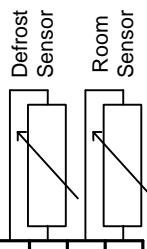
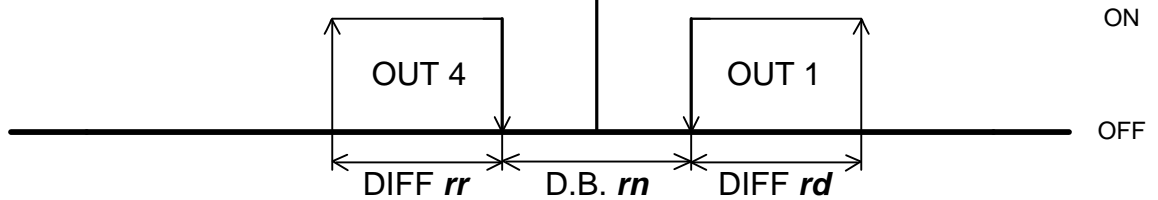


MasterCella²

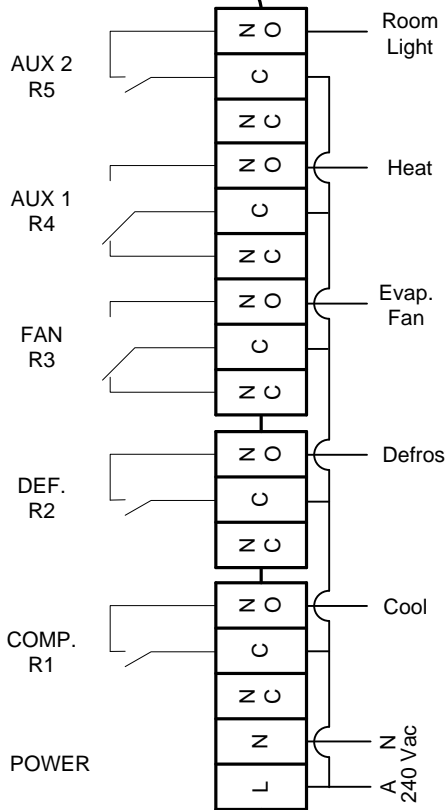
SETPOINT ST1

HEATING (reverse acting)

COOLING (direct acting)



MD33D5EB00
Current Ratings
 Aux 2 (R5) 16A res
 Aux 1 (R4) 8 A res
 Fan (R3) 10 A res
 Defrost (R2) 16 A res
 Compressor (R1) 30A res



PARAMETERS	
<i>rd</i>	Cooling differential
<i>rn</i>	Neutral zone
<i>rr</i>	Heating differential
<i>r3</i>	0 (cool with defrost)
<i>dl</i>	Defrost interval
<i>d0</i>	0 (defrost time / temp)
<i>dt1</i>	Defrost termination temp
<i>dP1</i>	Max defrost duration
<i>dd</i>	Dripping Time (after defrost)
<i>F2</i>	0 (fans on except during defrost)
<i>Fd</i>	Fan delay after defrost
<i>H1</i>	11 (aux 1 relay for heating)

SIZE	Controller Part Number	Carel Infrared Series	REV
A4	MD33D5EB00	Heat and Cool with Defrost	1.0
SCALE	N.T.S.	DRAWING NUMBER: MD33D5_HEATCOOL	SHEET 1 OF 1