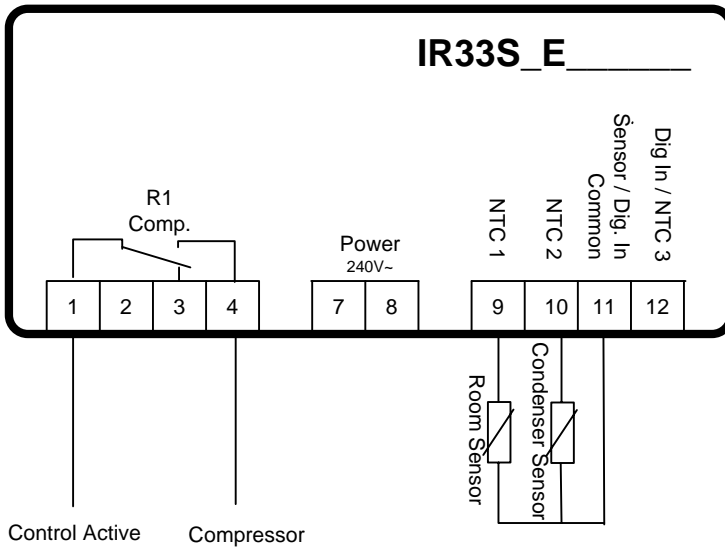
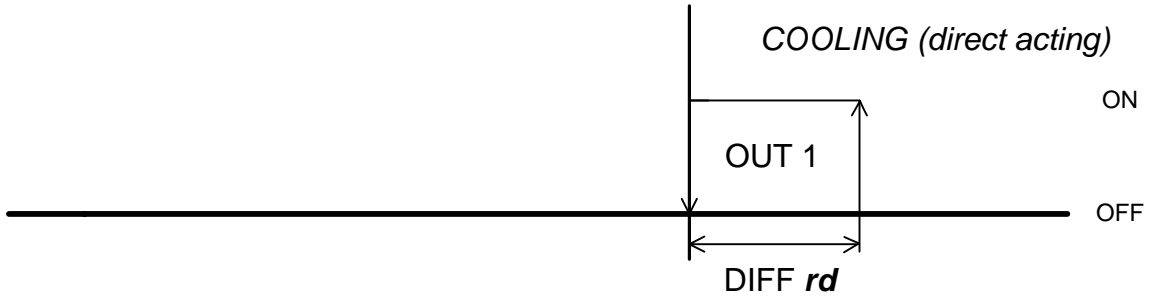


SETPOINT (Cutout) ST1



PARAMETERS	
/A2 = 2	(NTC2 = Cond Probe)
rd	= Differential
dl	= Defrost Interval
dP1	= Defrost Duration
Ac	= High cond Temp alarm set point
AE	= High cond. Temp differential
Acd	= High cond. Temp delay
NOTE: Pre "clean cond" alarm "cht" (non critical) occurs at $Ac - \frac{1}{2} AE$	