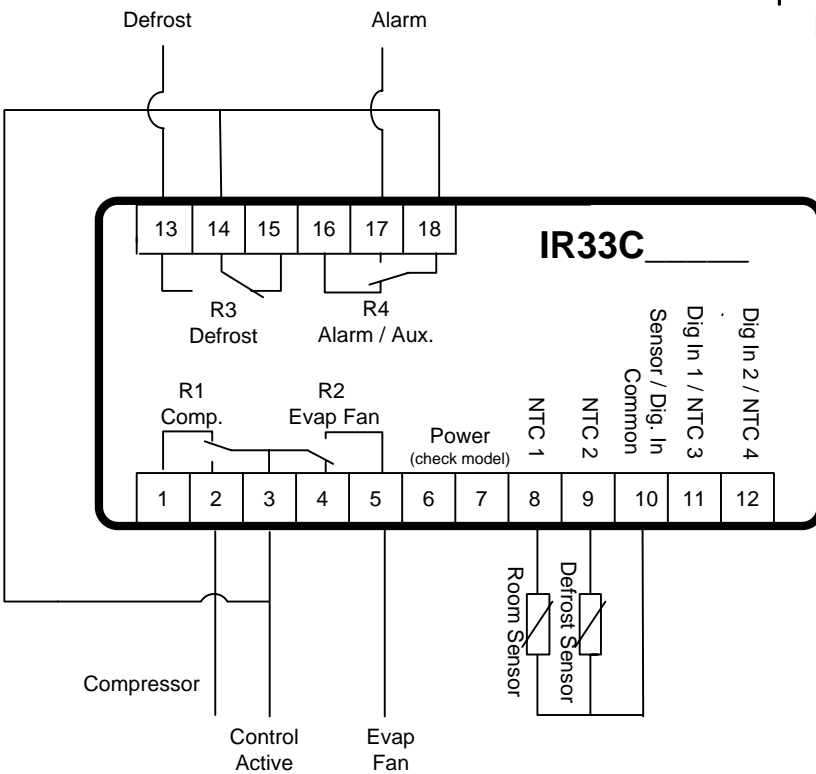
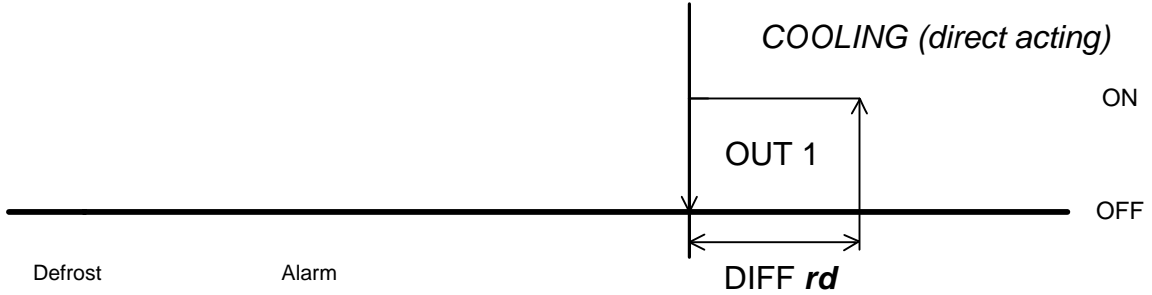


SETPOINT (Cutout) ST1



PARAMETERS
<i>rd</i> = Differential
<i>d0</i> = (0 = electric, 1 = Hot gas)
<i>dl</i> = Defrost interval
<i>dt1</i> = Defrost termination temp
<i>dP1</i> = Max duration of defrost
<i>dd</i> = Dripping time
<i>F2</i> = 0 (fans don't cycle with comp)
<i>Fd</i> = Fan delay (after dripping time)