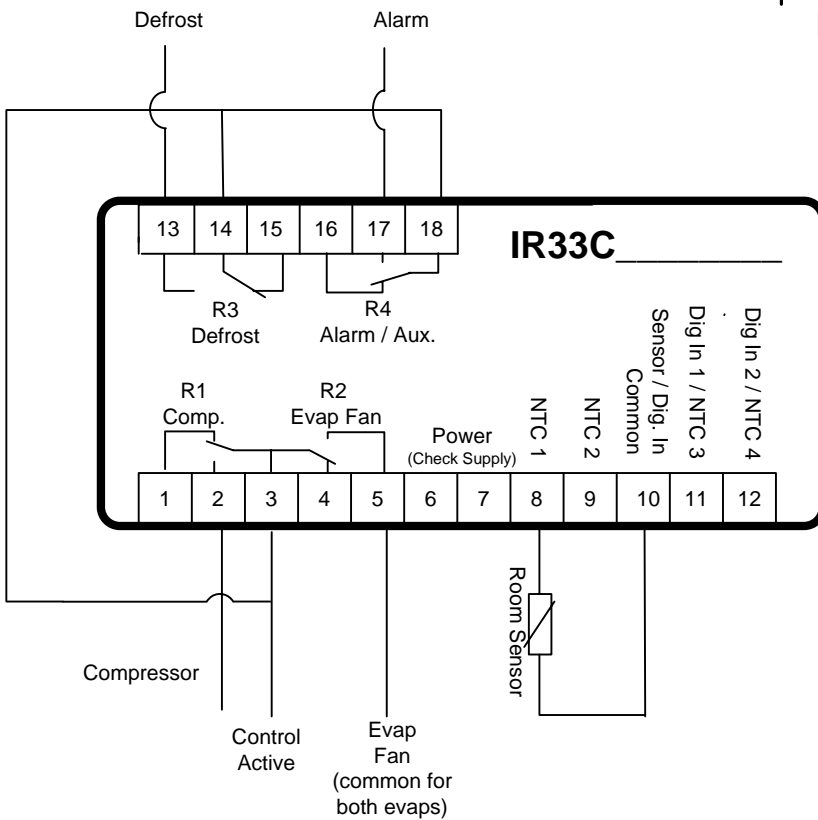
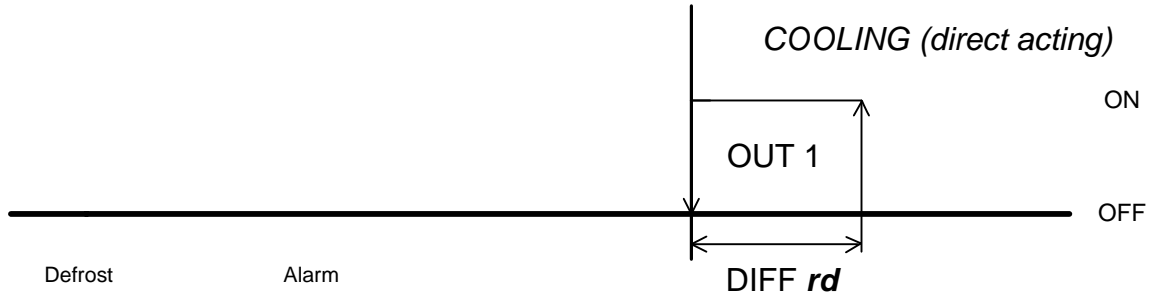


Panel Mount

SETPOINT (Cutout) ST1



PARAMETERS
/A2 = 0 (2 nd sensor not present)
St = Set point
rd = Differential
d0 = 2 (defrost time / temp)
dl = Defrost interval
dt1 = Defrost termination temp
dP1 = Max defrost duration
dd = Dripping Time (after defrost)
F2 = 0 (fans on except during defrost)
Fd = Fan delay after defrost