

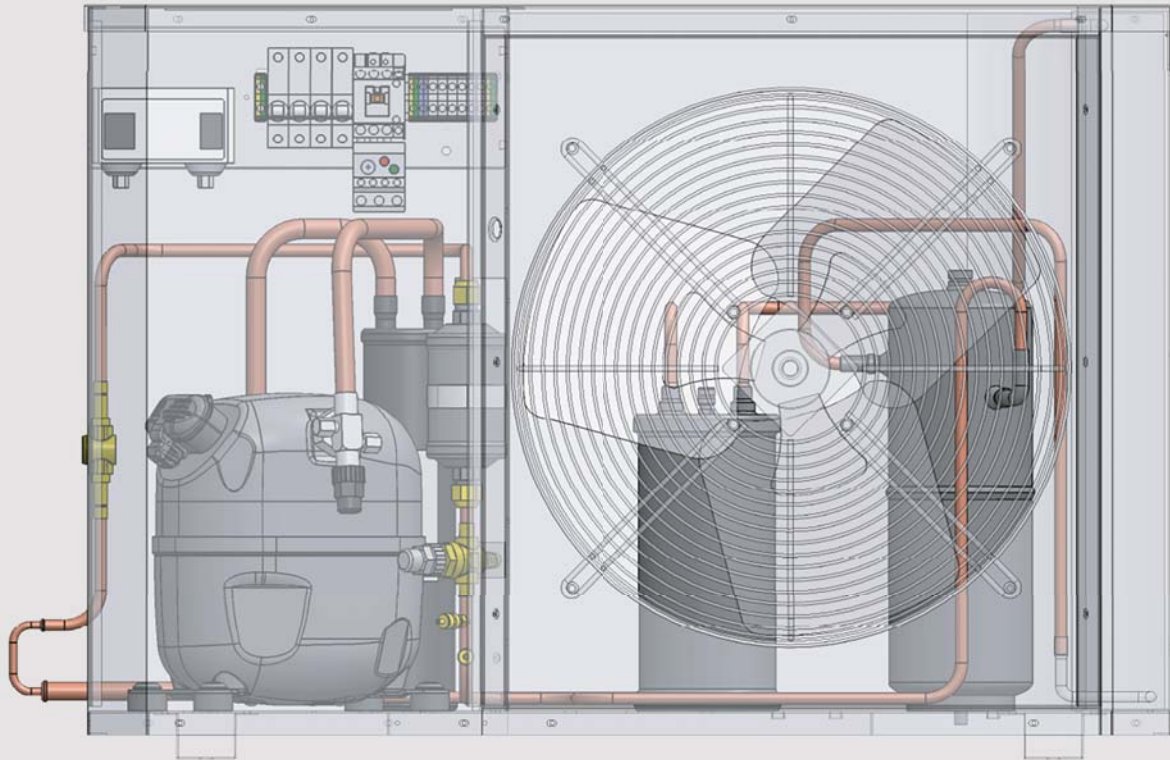
Compact packaged  
refrigeration condensing units.

[ **compac** ]



2.2kW — 11.8kW





## Hermetically sealed reciprocating compressors.

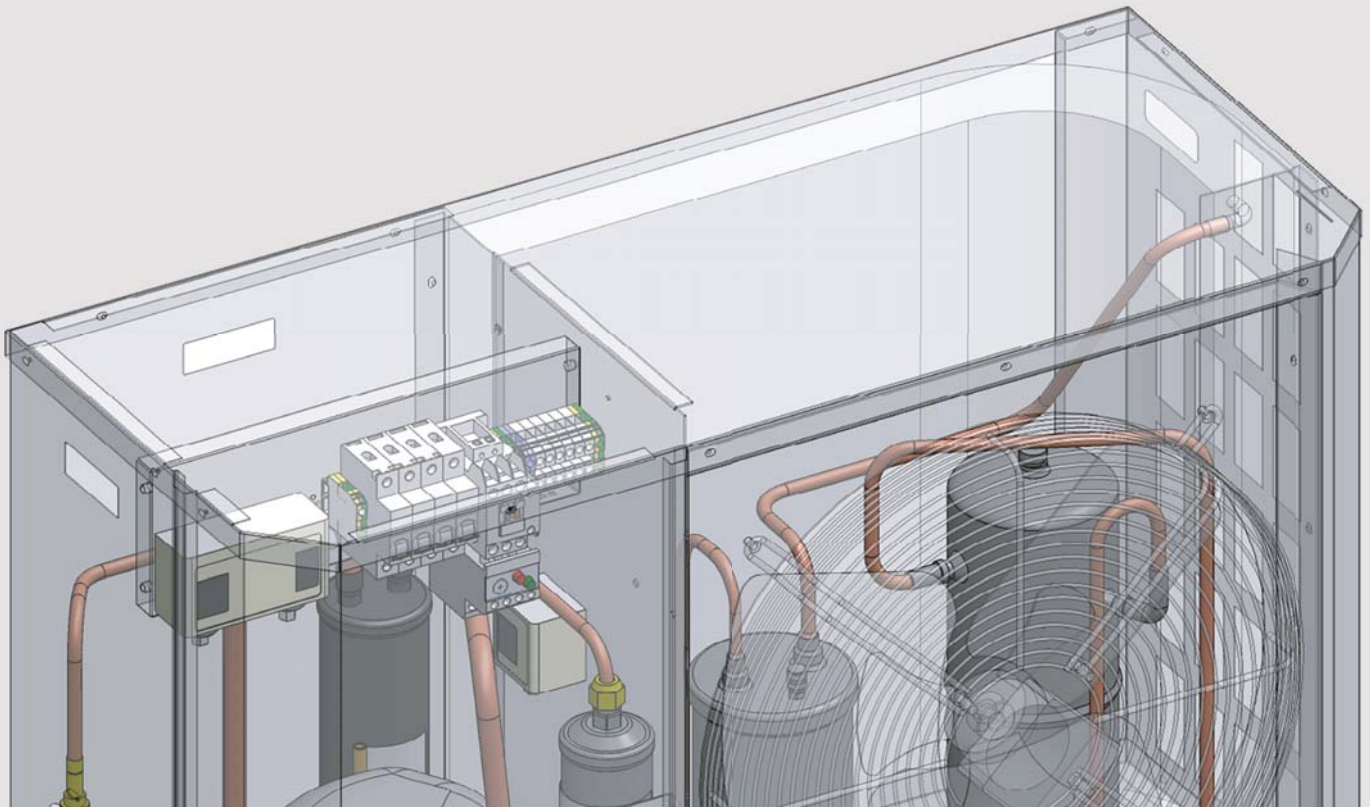
The Compac is a new range of fully fitted packaged units with world leading Tecumseh hermetically sealed reciprocating compressors. Designed with space constraints in mind, the horizontal discharge condenser configuration suits unit placement in car parks, roofs, on the side of buildings and mounted above one another without restricting airflow.

Installation is quick and easy, as every Compac is optioned straight out of the box. Once installed, you can relax knowing the premium compressors and large condensers will deliver reliable refrigeration when you need it most. Every Compac is built with high quality, corrosion resistant components, and extensive testing is completed on each unit, to ensure long life in the field.

[Tecumseh hermetically sealed reciprocating compressors](#)

[Horizontal discharge condenser configuration](#)

[Can be installed on air conditioning wall brackets](#)



## Features & Benefits

Compactness. Housing is designed to optimize spacing and functionality

Housing has a maximum length of 913mm for all models

Powder coated steel casing

Light in weight

Easily serviceable as the mechanical and electrical components are in the same compartment

Factory leak tested

World leading compressors

Large epoxy finned curved condenser

Oil separator on every model

Suction accumulator on low temperature models

Comprehensive electrical board fully wired to all electrical components

Separate compressor and fan compartment for safe and easy maintenance

Safety controls offering substantial protection

# Selection Data

SELECTION DATA													
Product Code	Model	Figure #	Compressor			Fan(s)			Liquid Receiver Capacity kg @ 80%	Line Size inches		Nett Weight kg	Sound Power Level dBA
			Model	MOC Amps	Volts/Phase	No. Diam. Mm	MOC Amps	Volts/Phase		Suction	Liquid		
MEDIUM TEMPERATURE													
3508016	PACS4517Z	1	CAJ4517Z - FZ	12.7	240V/1	1 x 450	1 x 1.15	220-240/1Ph.	3.9	5/8"	3/8"	72	65
3508017	PAC4517Z	1	TAJ4517Z-TZ	4.4	415V/3	1 x 450	1 x 1.15	220-240/1Ph.	3.9	5/8"	3/8"	70	65
3508018	PACS4519Z	1	CAJ4519Z-FZ	15.2	240V/1	1 x 450	1 x 1.15	220-240/1Ph.	3.9	5/8"	3/8"	72	68
3508019	PAC4519Z	1	TAJ4519Z-FZ	6.2	415V/3	1 x 450	1 x 1.15	220-240/1Ph.	3.9	5/8"	3/8"	70	68
3508020	PACS4524Z	1	FH4524Z-FZ	18.1	240V/1	1 x 450	1 x 1.15	220-240/1Ph.	3.9	5/8"	3/8"	85	70
3508021	PAC4524Z	1	TFH4524Z-TZ	7.7	415V/3	1 x 450	1 x 1.15	220-240/1Ph.	3.9	5/8"	3/8"	83	70
3508022	PACS4531Z	1	FH4531Z-FZ	22.4	240V/1	1 x 450	1 x 1.15	220-240/1Ph.	3.9	5/8"	3/8"	86	71
3508023	PAC4531Z	1	TFH4531Z-TZ	9	415V/3	1 x 450	1 x 1.15	220-240/1Ph.	3.9	5/8"	3/8"	85	71
3508024	PACS4540Z	2	FH4540Z-FZ	27	240V/1	1 x 500	1 x 1.95	220-240/1Ph.	3.9	7/8"	1/2"	87	72
3508025	PAC4540Z	2	TFH4540Z-TZ	9.2	415V/3	1 x 500	1 x 1.95	220-240/1Ph.	3.9	7/8"	1/2"	86	72
3508026	PAC4546Z	2	TAG4546Z-TZ	12.1	415V/3	1 x 500	1 x 1.95	220-240/1Ph.	3.9	7/8"	1/2"	106	73
3508027	PAC4553Z	3	TAG4553Z-TZ	14	415V/3	2 x 450	2 x 1.15	220-240/1Ph.	9.5	7/8"	1/2"	125	75
3508028	PAC4561Z	3	TAG4561Z-TZ	15.3	415V/3	2 x 450	2 x 1.15	220-240/1Ph.	9.5	7/8"	1/2"	130	75
3508029	PAC4568Z	3	TAG4568Z-TZ	17.8	415V/3	2 x 450	2 x 1.15	220-240/1Ph.	9.5	7/8"	1/2"	135	75
3508030	PAC4573Z	3	TAG4573Z-TZ	19	415V/3	2 x 450	2 x 1.15	220-240/1Ph.	9.5	7/8"	1/2"	135	76
LOW TEMPERATURE													
3508031	PACS2480Z	1	FH2480Z-FZ	16	240V/1	1 x 450	1 x 1.15	220-240/1Ph.	3.9	5/8"	3/8"	85	69
3508032	PAC2480Z	1	TFH2480Z-TZ	6.3	415V/3	1 x 450	1 x 1.15	220-240/1Ph.	3.9	5/8"	3/8"	85	69
3508033	PACS2511Z	1	FH2511Z-FZ	24	240V/1	1 x 450	1 x 1.15	220-240/1Ph.	3.9	5/8"	3/8"	87	70
3508034	PAC2511Z	1	TFH2511Z-TZ	7.2	415V/3	1 x 450	1 x 1.15	220-240/1Ph.	3.9	5/8"	3/8"	87	70
3508035	PAC2513Z	2	TAG2513Z-TZ	8.5	415V/3	1 x 500	1 X 1.95	220-240/1Ph.	3.9	7/8"	1/2"	107	71
3508036	PAC2516Z	2	TAG2516Z-TZ	9.5	415V/3	1 x 500	1 X 1.95	220-240/1Ph.	3.9	7/8"	1/2"	108	71
3508037	PAC2522Z	3	TAG2522Z-TZ	13.4	415V/3	2 x 450	2 x 1.15	220-240/1Ph.	9.5	7/8"	1/2"	132	76
3508038	PAC2525Z	3	TAG2525Z-TZ	13.3	415V/3	2 x 450	2 x 1.15	220-240/1Ph.	9.5	7/8"	1/2"	133	77

Figure 1

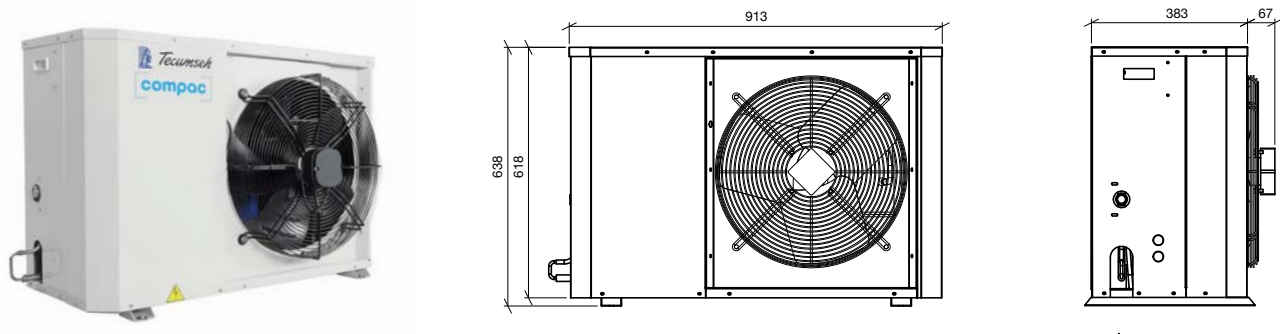


Figure 2

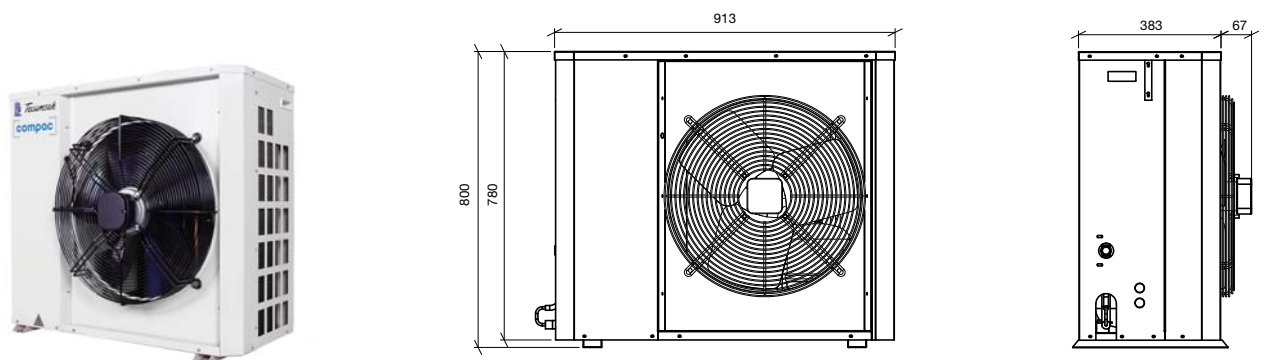
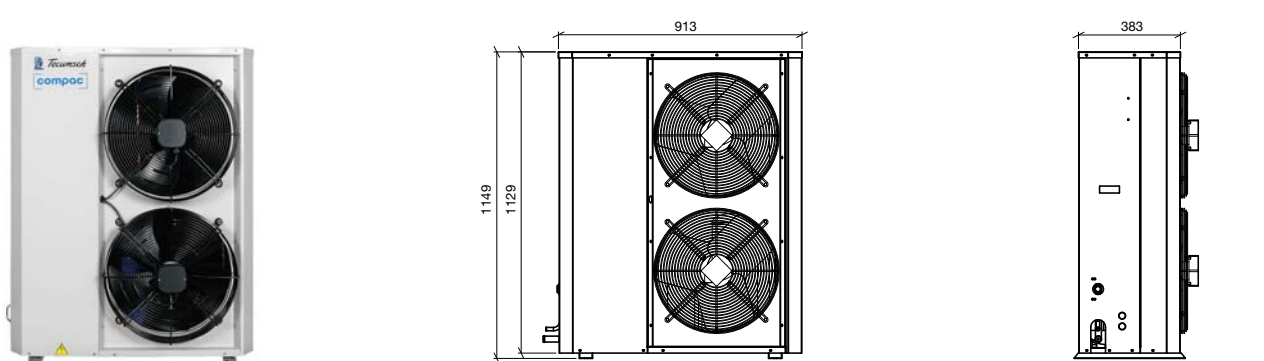


Figure 3



**UNIT SIZE**

Figure	Dimension (mm)		
	Length	Depth	Height
1	913	450	638
2	913	450	800
3	913	450	1149

# Capacity Data

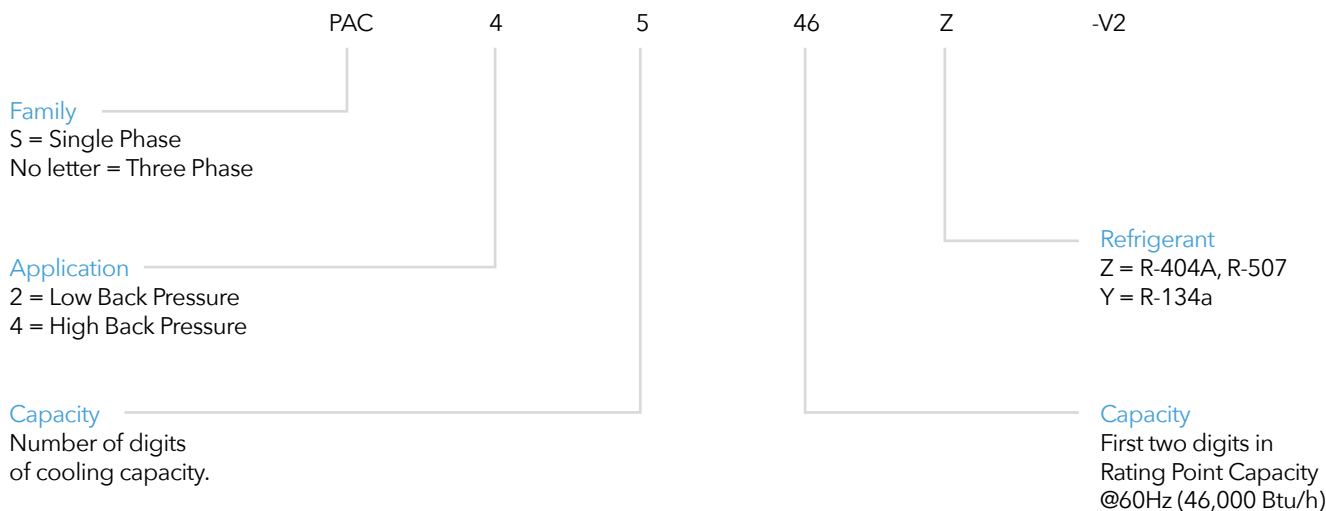
R404A MEDIUM TEMPERATURE APPLICATION						
Model	Ambient Temp. °C	Saturated Suction Temperature: °C				
		-15	-10	-5	0	5
PACS4517Z	32	1873	2292	2740	3217	3723
	35	1765	2167	2594	3046	3525
	38	1657	2042	2448	2875	3326
	43	1476	1832	2203	2590	2995
PAC4517Z	32	1873	2292	2740	3217	3723
	35	1765	2167	2594	3046	3525
	38	1657	2042	2448	2875	3326
	43	1476	1832	2203	2590	2995
PACS4519Z	32	2349	2829	3339	3881	4458
	35	2225	2684	3169	3681	4227
	38	2099	2537	2997	3481	3995
	43	1886	2291	2709	3146	3610
PAC4519Z	32	2349	2829	3339	3881	4458
	35	2225	2684	3169	3681	4227
	38	2099	2537	2997	3481	3995
	43	1886	2291	2709	3098	3610
PACS4524Z	32	2723	3405	4144	4932	5763
	35	2540	3197	3904	4656	5447
	38	2355	2985	3662	4378	5128
	43	2038	2627	3251	3880	4594
PAC4524Z	32	2723	3405	4144	4932	5763
	35	2540	3197	3904	4656	5447
	38	2355	2985	3662	4378	5128
	43	2038	2627	3251	3880	4594
PACS4531Z	32	3541	4333	5185	6094	7062
	35	3325	4091	4909	5779	6701
	38	3108	3848	4632	5461	6339
	43	2744	3439	4168	4932	5735
PAC4531Z	32	3541	4333	5185	6094	7062
	35	3325	4091	4909	5779	6701
	38	3108	3848	4632	5461	6339
	43	2744	3439	4168	4932	5735
PACS4540Z	32	4645	5627	6654	7715	8799
	35	4390	5337	6321	7332	8365
	38	4132	5044	5985	6949	7930
	43	3698	4553	5424	6308	7207
PAC4540Z	32	4645	5627	6654	7715	8799
	35	4390	5337	6321	7332	8365
	38	4132	5044	5985	6949	7930
	43	3698	4553	5424	6308	7207
PAC4546Z	32	4900	6158	7527	8991	10530
	35	4541	5745	7052	8445	9910
	38	4187	5337	6581	7905	9295
	43	3609	4670	5809	7017	8284
PAC4553Z	32	5771	7206	8769	10442	12206
	35	5389	6797	8261	9857	11538
	38	5007	6329	7757	9277	10876
	43	4372	5606	6924	8321	9785
PAC4561Z	32	6236	7681	9233	10874	12587
	35	5831	7219	8702	10264	11891
	38	5424	6757	8172	9657	11201
	43	4741	5987	7294	8654	10063
PAC4568Z	32	7578	9224	11007	12919	14955
	35	7131	8726	10446	12288	14252
	38	6683	8226	9884	11657	13549
	43	5936	7392	8946	10604	12380
PAC4573Z	32	8167	9912	11788	13776	15857
	35	7694	9378	11188	13103	15107
	38	7225	8837	10560	12379	14281
	43	6397	7869	9424	11053	12752

## R404 LOW TEMPERATURE APPLICATION

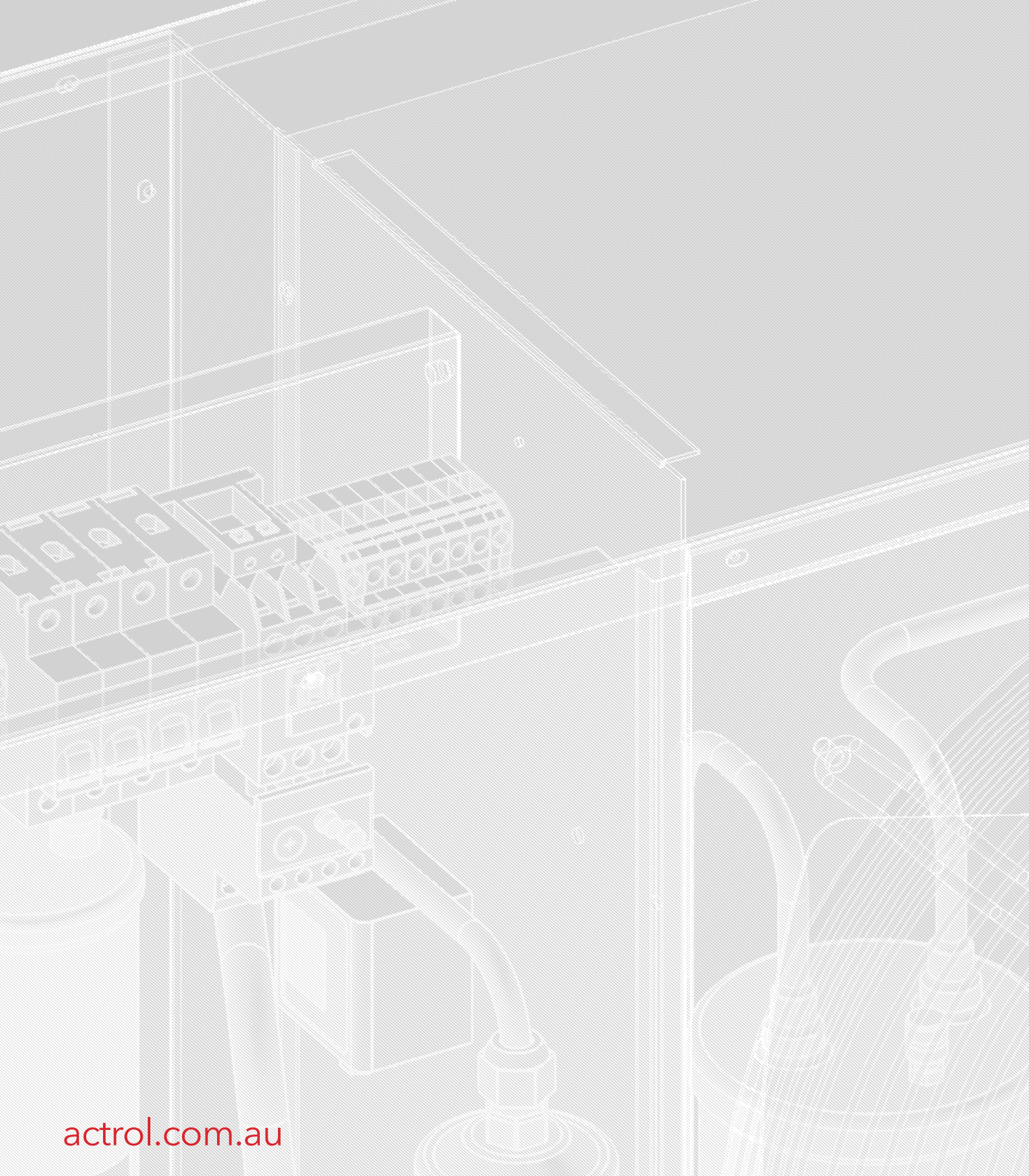
Model	Ambient Temp. °C	Saturated Suction Temperature: °C						
		-40	-35	-30	-23.3	-20	-15	-10
PACS2480Z	32	925	1311	1740	2172	2719	3267	3852
	35	840	1216	1632	2048	2579	3107	3670
	38	756	1122	1525	1925	2439	2947	3489
	43	616	966	1348	1723	2208	2684	3191
PAC2480Z	32	925	1311	1740	2172	2719	3267	3852
	35	840	1216	1632	2048	2579	3107	3670
	38	756	1122	1525	1925	2439	2947	3489
	43	616	966	1348	1723	2208	2684	3191
PACS2511Z	32	1188	1688	2278	2927	3724	4576	5511
	35	1069	1551	2119	2742	3512	4334	5236
	38	951	1415	1961	2558	3300	4091	4960
	43	757	1190	1699	2252	2947	3687	4503
PAC2511Z	32	1188	1688	2278	2927	3724	4576	5511
	35	1069	1551	2119	2742	3512	4334	5236
	38	951	1415	1961	2558	3300	4091	4960
	43	757	1190	1699	2252	2947	3687	4503
PAC2513Z	32	1121	1726	2425	3898	4065	4984	5962
	35	988	1568	2238	3648	3806	4685	5623
	38	857	1414	2054	3401	3550	4391	5290
	43	646	1164	1755	2998	3134	3910	4745
PAC2516Z	32	2114	2658	3437	5319	5553	6808	8137
	35	1909	2434	3185	5000	5223	6429	7704
	38	1711	2217	2940	4688	4899	6056	7276
	43	1400	1873	2549	4184	4374	5447	6574
PAC2522Z	32	2111	2991	4010	6214	6427	7795	9245
	35	1914	2765	3745	5869	6067	7382	8782
	38	1720	2541	3848	5527	5710	6974	8325
	43	1402	2176	3056	4965	5126	6305	7575
PAC2525Z	32	2310	3276	4362	6673	6845	8210	9636
	35	2095	3034	4084	6320	6478	7794	9174
	38	1884	2795	3809	5968	6114	7381	8713
	43	1541	2404	3356	5386	5511	6699	7954

\* Capacities based on 20°C return vapour and 0 K sub cooling.

## Compac Nomenclature







[actrol.com.au](http://actrol.com.au)

## Actrol. Works for you.™

Call **1800 ACTROL** or visit [www.actrol.com.au](http://www.actrol.com.au) for your nearest branch.

The manufacturer/distributor reserves the right to vary specifications or delete models from their range without prior notification. The manufacturer/distributor takes no responsibility for printing errors. All dimensions are nominal only. Printed April 2018.

[BROCHURE CODE: 2101547] V2



**ACTROL™**