

Small footprint.
Big performance.

COMPAC

The COMPAC Scroll Series
Packaged Condensing Unit
2.7kW - 27.5kW

The Smooth Operator	04
Made for Reliability	05
Selection Data	06
Dimensions	08
Capacity Data	09
Compac Nomenclature	14

The COMPAC is a range of fully fitted packaged units featuring world leading Tecumseh Scroll compressors.

The Smooth Operator

Lightweight and easy to install, the new COMPAC Scroll delivers reliability with whisper quiet, vibration free operation.

The COMPAC is a range of fully fitted packaged units featuring world leading Tecumseh Scroll compressors. The Scroll compressor allows for an ultra smooth and efficient operation due to the true rotating motion which enables dynamic balancing. Designed with space constraints in mind, the horizontal discharge condenser configuration suits unit placement in carparks, roofs, on the side of buildings and mounted above one another without restricting airflow.

Installation is simple as every COMPAC is optioned straight out of the box. Once installed, you can relax knowing the premium compressors and large condensers will deliver reliable refrigeration when you need it most.

Every COMPAC is built with high quality, corrosion resistant components, and extensive testing is completed on each unit, to ensure long life in the field. What's more, electronic overload protects against phase loss, imbalance, reversal, locked rotor and over-current to ensure excellent compressor protection.

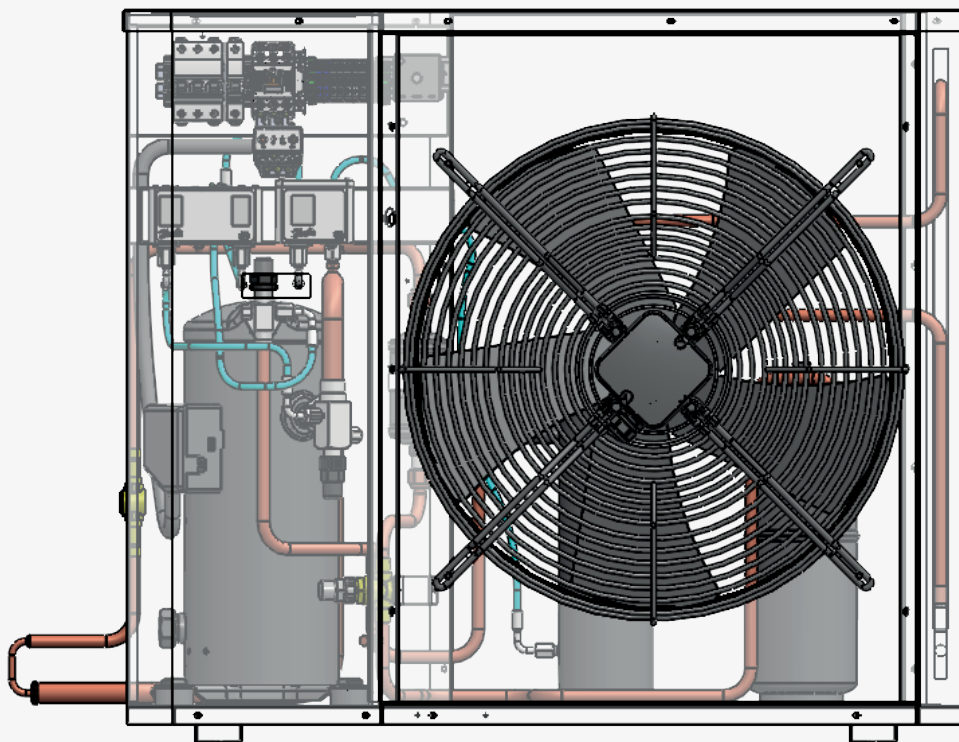
Featuring Tecumseh Scroll compressors

Horizontal discharge condenser configuration

Can be installed on air conditioning wall brackets

Easily accessible range of genuine spare parts

Extended copper tails suitable for press fittings.



Made for Reliability

The Compac comes fully featured and ready to install with a host of advanced features. Enjoy ease of servicing and long-life performance every time.

Small footprint. Housing is designed to optimise spacing

Large epoxy finned condenser

Oil separator on every model

Powder coated galvanized steel casing

Light weight design

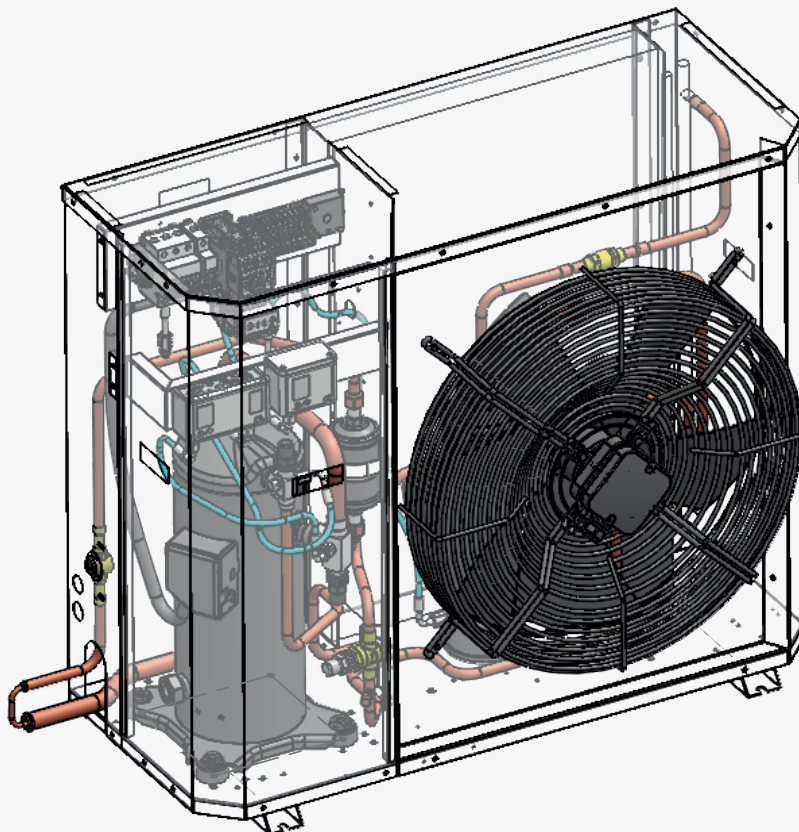
Easy servicing - mechanical & electrical components in same compartment

Factory leak tested

Electrical panel is fully wired to all electrical components

Separate compressor and fan compartment for safe and easy maintenance

Safety controls offering substantial protection



Selection Data

R404A / R448A / R449A / R452A / R134a

Product Code	Model	Compressor				
		Compressor Model / Code	Displacement m ³ /hr	Nominal HP	MOC Amps	Volts/Phase/Hz
3508116	PAS4524Z-1	VSE9515ZFX 3503026	5.8	2.0	16.2	220-240V/1/50Hz
3508117	PAS4530Z-3	VSE9519ZXG 3503027	7.3	2.5	6.4	380-420V/3/50Hz
3508118	PAS4548Z-3	VSE9530ZXG 3503019	11.8	4.0	10.3	380-420V/3/50Hz
3508119	PAS4560Z-3	VSE9538ZXG 3503020	14.5	5.0	12.2	380-420V/3/50Hz
3508121	PAS4584Z-3	VSE9548ZXG 3503022	18.8	7.0	17.1	380-420V/3/50Hz
3508122	PAS4596Z-3	VSE9558ZXG 3503023	21.4	8.0	18.4	380-420V/3/50Hz
3508123	PAS4611Z-3	VSE9566ZXG 3503024	25.3	9.0	21.0	380-420V/3/50Hz
3508124	PAS4612Z-3	VSE9576ZXG 3503021	29.1	10.0	23.6	380-420V/3/50Hz
3508125	PAS4614Z-3	VSE9595ZXG 3503025	34.3	12.0	27.6	380-420V/3/50 Hz

Fan(s)				Condenser THR@10K TD, R404A	Liquid Receiver Capacity litres	Line Size inches		Nett Weight	Sound Power Level
No. Diam. mm	MOC Amps	Air Flow m ³ /hr	Volts/Phase/Hz	kW		Suction	Liquid	kg	dBA
1 x TEM4E-450	1.15	5,050	220-240V/1/50Hz	9	3.9	5/8"	3/8"	80	71
1 x TEM4E-500	1.75	6,720	220-240V/1/50Hz	12	3.9	7/8"	1/2"	82	73
1 x TEM4E-500	1.75	6,720	220-240V/1/50Hz	12	3.9	7/8"	1/2"	83	73
2 x TEM4E-450	2.30	10,100	220-240V/1/50Hz	18	9.5	7/8"	1/2"	110	73
2 x TEM4E-500	3.50	13,440	220-240V/1/50Hz	23	9.5	7/8"	1/2"	140	75
2 x TEM4E-500	3.50	13,440	220-240V/1/50Hz	23	9.5	1-1/8"	1/2"	140	75
2 x TEM4E-500	3.50	13,440	220-240V/1/50Hz	27	9.5	1-1/8"	1/2"	140	75
2 x TEM4E-500	3.50	13,440	220-240V/1/50Hz	27	9.5	1-1/8"	1/2"	141	75
4 x TEM4E-500	7.00	26,880	220-240V/1/50Hz	43	12.0	1-1/8"	5/8"	178	79

Subtract 17 dBA to obtain sound pressure level at 3m distance.

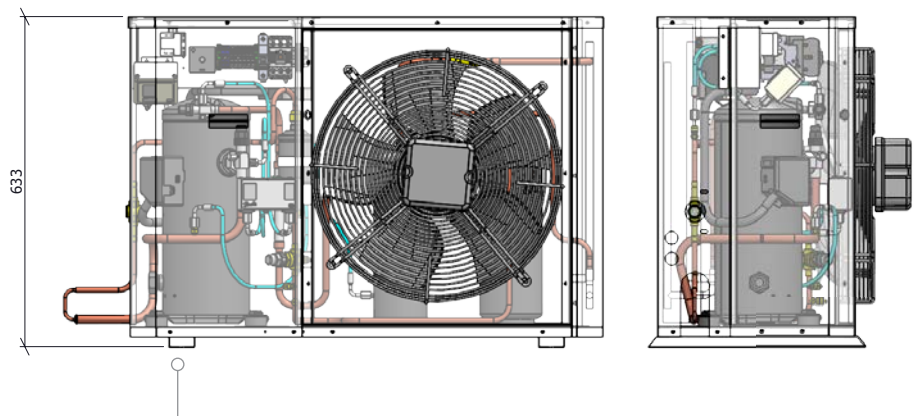
Dimensions

Product Code	Description	Dimensions
3508116	Tecumseh Compac Scroll 2HP PAS4524Z-1, 1x 450MM	View Online
3508117	Tecumseh Compac Scroll 2.5HP PAS4530Z-3, 1x 500MM	View Online
3508118	Tecumseh Compac Scroll 4HP PAS4548Z-3 1x 500MM	View Online
3508119	Tecumseh Compac Scroll 5HP PAS4560Z-3 2x 450MM	View Online
3508121	Tecumseh Compac Scroll 7HP PAS4584Z-3 2x 450MM	View Online
3508122	Tecumseh Compac Scroll 8HP PAS4596Z-3 2x 500MM	View Online
3508123	Tecumseh Compac Scroll 9HP PAS4611Z-3 2x 500MM	View Online
3508124	Tecumseh Compac Scroll 10HP PAS4612Z-3 2x 500MM	View Online
3508125	Tecumseh Compac Scroll 12HP PAS4614Z-3 4x 500MM	View Online

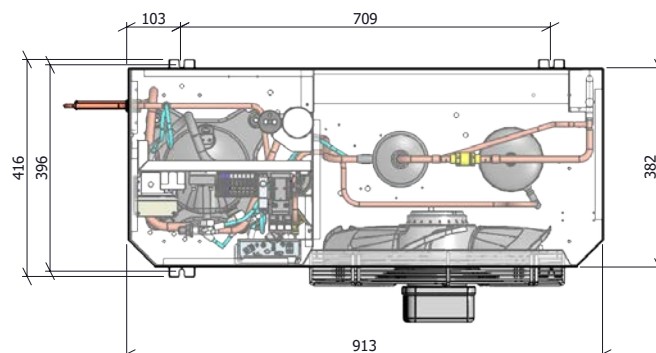
Drawings show model PAS4524Z-3

Units require additional space for mounting as shown.

For all other unit drawings refer to interactive table above.



QR code included on the inside casing which links for easy access to installation and wiring guide.



Capacity Data

R404A

Product Code	Model	Compressor	Ambient Temp °C	Saturated Suction Temperature: °C								
				-25	-20	-15	-10	-5	0	5	7.5	10
3508116	PAS4524Z-1	VSE9515ZFZ 2HP	32	2214	2703	3280	3946	4721	5620	6618	7147	7724
			35	2121	2594	3151	3781	4527	5373	6333	6823	7385
			38	2034	2494	3021	3633	4323	5133	6043	6514	7049
			43	1884	2306	2776	3332	3963	4690	5525	5950	6435
3508117	PAS4530Z-3	VSE9519ZXG 2.5HP	32	2640	3229	3913	4713	5634	6694	7901	8524	9212
			35	2538	3100	3753	4513	5401	6403	7563	8149	8817
			38	2430	2979	3595	4333	5170	6123	7209	7772	8409
			43	2245	2744	3320	3978	4738	5602	6589	7108	7680
3508118	PAS4548Z-3	VSE9530ZXG 4HP	32	4306	5262	6381	7681	9192	10921	12886	13895	15038
			35	4141	5057	6126	7369	8803	10445	12319	13286	14360
			38	3971	4854	5875	7056	8416	9984	11762	12674	13707
			43	3656	4474	5417	6483	7723	9135	10754	11588	12513
3508119	PAS4560Z-3	VSE9538ZXG 5HP	32	5284	6460	7835	9429	11277	13409	15828	17062	18462
			35	5073	6210	7521	9043	10810	12842	15122	16303	17634
			38	4883	5965	7215	8661	10337	12262	14446	15571	16837
			43	4488	5494	6637	7959	9478	11211	13193	14212	15356
3508120	PAS4572Z-3	VSE9545ZXG 6HP	32	6262	7661	9283	11182	13378	15892	18758	20233	21880
			35	6014	7352	8918	10720	12813	15199	17925	19326	20900
			38	5776	7068	8554	10265	12246	14523	17113	18444	19946
			43	5319	6515	7871	9443	11235	13300	15649	16856	18216
3508121	PAS4584Z-3	VSE9548ZXG 7HP	32	7050	8623	10461	12598	15072	17905	21132	22796	24655
			35	6777	8289	10033	12078	14427	17122	20190	21770	23545
			38	6499	7949	9631	11560	13792	16349	19268	21770	22452
			43	5996	7334	8875	10633	12655	14977	17623	18990	20514
3508122	PAS4596Z-3	VSE9558ZXG 8HP	32	8096	9895	11998	14454	17284	20544	24254	26152	28285
			35	7780	9505	11526	13858	16547	19650	23178	24986	27013
			38	7459	9126	11042	13263	15820	18769	22104	23824	25758
			43	6874	8408	10174	12186	14504	17166	20199	21757	23519
3508123	PAS4611Z-3	VSE9566ZXG 9HP	32	9928	12137	14718	17721	21200	25185	29737	32704	34688
			35	9530	11660	14128	16987	20290	24085	28401	30628	33117
			38	9151	11189	13548	16275	19418	23014	27122	29228	31609
			43	8436	10322	12477	14949	17798	21064	24785	26693	28854
3508124	PAS4612Z-3	VSE9576ZXG 10HP	32	11161	13642	16538	19914	23828	28314	33428	36042	38996
			35	10728	13124	15891	19112	22832	27105	31963	34462	37272
			38	10287	12580	15229	18302	21827	25878	30488	32863	35533
			43	9496	11616	14043	16832	20047	23714	27906	30058	32494
3508125	PAS4614Z-3	VSE9595ZXG 12HP	32	12882	15750	19097	22997	27519	32698	38587	41618	45018
			35	12384	15147	18349	22067	26364	31295	36889	39793	43031
			38	11881	14531	17583	21122	25196	29877	35202	37936	41027
			43	10946	13398	16196	19411	23110	27352	32182	34656	37451

20C return vapour
3K sub-cooling

Capacity Data

R448A

Product Code	Model	Compressor	Ambient Temp °C	Saturated Suction Temperature: °C								
				-25	-20	-15	-10	-5	0	5	7.5	10
3508116	PAS4524Z-1	VSE9515ZFZ 2HP	32	2047	2500	3033	3649	4366	5197	6120	6610	7144
			35	1962*	2399	2914	3496	4187	4969	5856	6310	6829
			38	1881*	2306	2794	3360	3998	4747	5588	6024	6519
			43	1742*	2132*	2568	3082	3665	4337	5110	5503	5951
3508117	PAS4530Z-3	VSE9519ZXG 2.5HP	32	2442	2986	3618	4359	5210	6191	7307	7883	8519
			35	2347*	2867	3471	4174	4995	5921	6994	7537	8154
			38	2247*	2755	3324	4007	4781	5662	6667	7188	7777
			43	2076*	2537*	3071	3679	4382	5181	6094	6573	7103
3508118	PAS4548Z-3	VSE9530ZXG 4HP	32	3983	4867	5901	7103	8500	10099	11917	12850	13907
			35	3829*	4676	5665	6814	8141	9660	11393	12287	13280
			38	3672*	4489	5433	6525	7783	9233	10878	11721	12677
			43	3381*	4138*	5009	5996	7143	8448	9945	10717	11572
3508119	PAS4560Z-3	VSE9538ZXG 5HP	32	4887	5975	7247	8722	10432	12403	14641	15783	17078
			35	4693*	5745	6957	8365	9999	11862	13988	15081	16312
			38	4517*	5518	6674	8012	9561	11342	13363	14403	15575
			43	4151*	5082*	6140	7362	8767	10370	12204	13146	14204
3508120	PAS4572Z-3	VSE9545ZXG 6HP	32	5792	7086	8587	10343	12375	14700	17351	18716	20239
			35	5563*	6801	8249	9916	11852	14059	16581	17877	19333
			38	5343*	6538	7912	9495	11328	13434	15830	17061	18450
			43	4920*	6026*	7281	8735	10392	12303	14475	15592	16850
3508121	PAS4584Z-3	VSE9548ZXG 7HP	32	6521	7676	9677	11653	13942	16562	19547	21086	22806
			35	6268*	7668	9280	11172	13345	15838	18675	20137	21779
			38	6011*	7353	8909	10693	12757	15122	17823	19207	20768
			43	5546*	6784*	8209	9836	11706	13854	16301	17566	18975
3508122	PAS4596Z-3	VSE9558ZXG 8HP	32	7489	9153	11098	13370	15988	19003	22435	24191	26164
			35	7197*	8792	10661	12818	15306	18176	21440	23112	24987
			38	6900*	8442	10214	12268	14634	17361	20446	22037	23826
			43	6358*	7777*	9411	11272	13417	15878	18684	20125	21755
3508123	PAS4611Z-3	VSE9566ZXG 9HP	32	9184	11227	13615	16392	19610	23296	27507	29668	32087
			35	8816*	10786	13069	15713	18769	22279	26270	28331	30633
			38	8465*	10350	12532	15055	17962	21288	25088	27036	29239
			43	7803*	9548*	11541	13828	16463	19484	22926	24691	26690
3508124	PAS4612Z-3	VSE9576ZXG 10HP	32	10326	12621	15301	18425	22045	26196	30927	33346	36079
			35	9926*	12142	14703	17682	21125	25078	29572	31884	34484
			38	9518*	11639	14090	16933	20194	23942	28208	30405	32875
			43	8785*	10747*	12993	15573	18547	21940	25819	27810	30063
3508125	PAS4614Z-3	VSE9595ZXG 12HP	32	11918	14572	17668	21276	25461	30252	35701	38505	41651
			35	11458*	14014	16976	20416	24392	28954	34139	36816	39812
			38	10993*	13444	16268	19542	23311	27642	32569	35099	37958
			43	10127*	12396*	14985	17959	21382	25306	29775	32063	34650

20C return vapour
3K sub-cooling

*Additional compressor cooling required

R449A

Product Code	Model	Compressor	Ambient Temp °C	Saturated Suction Temperature: °C								
				-25	-20	-15	-10	-5	0	5	7.5	10
3508116	PAS4524Z-1	VSE9515ZFX 2HP	32	2047	2500	3033	3649	4366	5197	6120	6610	7144
			35	1962*	2399	2914	3496	4187	4969	5856	6310	6829
			38	1881*	2306	2794	3360	3998	4747	5588	6024	6519
			43	1742*	2132*	2568	3082	3665	4337	5110	5503	5951
3508117	PAS4530Z-3	VSE9519ZXG 2.5HP	32	2442	2986	3618	4359	5210	6191	7307	7883	8519
			35	2347*	2867	3471	4174	4995	5921	6994	7537	8154
			38	2247*	2755	3324	4007	4781	5662	6667	7188	7777
			43	2076*	2537*	3071	3679	4382	5181	6094	6573	7103
3508118	PAS4548Z-3	VSE9530ZXG 4HP	32	3983	4867	5901	7103	8500	10099	11917	12850	13907
			35	3829*	4676	5665	6814	8141	9660	11393	12287	13280
			38	3672*	4489	5433	6525	7783	9233	10878	11721	12677
			43	3381*	4138*	5009	5996	7143	8448	9945	10717	11572
3508119	PAS4560Z-3	VSE9538ZXG 5HP	32	4667	5975	7247	8722	10432	12403	14641	15783	17078
			35	4693*	5745	6957	8365	9999	11862	13988	15081	16312
			38	4517*	5518	6674	8012	9562	11342	13363	14403	15575
			43	4151*	5082*	6140	7362	8767	10370	12204	13146	14204
3508120	PAS4572Z-3	VSE9545ZXG 6HP	32	5792	7086	8587	10343	12375	14700	17351	18716	20239
			35	5563*	6801	8249	9916	11852	14059	16581	17877	19333
			38	5343*	6538	7912	9495	11328	13434	15830	17061	18450
			43	4920*	6026*	7281	8735	10392	12303	14475	15592	16850
3508121	PAS4584Z-3	VSE9548ZXG 7HP	32	6521	7976	9677	11653	13942	16562	19547	21086	22806
			35	6268*	7668	9280	11172	13345	15835	18675	20137	21779
			38	6011*	7353	8909	10693	12757	15122	17823	19207	20768
			43	5546*	6784*	8209	9836	11706	13854	16301	17566	18975
3508122	PAS4596Z-3	VSE9558ZXG 8HP	32	7489	9153	11098	13370	15988	19003	22435	24191	26164
			35	7197*	8792	10661	12818	15306	18176	21440	23112	24987
			38	6900*	8442	10214	12268	14634	17361	20446	22037	23826
			43	6358*	7777*	9411	11272	13417	15878	18684	20125	21755
3508123	PAS4611Z-3	VSE9566ZXG 9HP	32	9184	11227	13615	16392	19610	23296	27507	29668	32087
			35	8816*	10786	13069	15713	18769	22279	26270	28331	30633
			38	8465*	10350	12532	15055	17962	21288	25088	27036	29239
			43	7803*	9548*	11541	13828	16463	19484	22926	24691	26690
3508124	PAS4612Z-3	VSE9576ZXG 10HP	32	10326	12621	15301	18425	22045	26196	30927	33346	36079
			35	9926*	12142	14703	17682	21125	25078	29572	31884	34484
			38	9518*	11639	14090	16933	20194	23942	28208	30405	32875
			43	8785*	10747*	12993	15573	18547	21904	25819	27810	30063
3508125	PAS4614Z-3	VSE9595ZXG 12HP	32	11918	14572	17668	21276	25461	30252	35701	38505	41651
			35	11458*	14014	16976	20416	24392	28954	34139	36816	39812
			38	10993*	13444	16268	19542	23311	27642	32569	35099	37958
			43	10127*	12396*	14985	17959	21382	25306	29775	32063	34650

20C return vapour
3K sub-cooling

*Additional compressor cooling required

Capacity Data

R452A

Product Code	Model	Compressor	Ambient Temp °C	Saturated Suction Temperature: °C								
				-25	-20	-15	-10	-5	0	5	7.5	10
3508116	PAS4524Z-1	VSE9515ZFZ 2HP	32	2123	2592	3146	3784	4528	5390	6346	6854	7408
			35	2034	2487	3021	3626	4341	5153	6073	6543	7082
			38	1951	2391	2897	3484	4146	4922	5795	6246	6760
			43	1806	2211	2663	3196	3801	4498	5299	5706	6171
3508117	PAS4530Z-3	VSE9519ZXG 2.5HP	32	2532	3096	3752	4520	5403	6420	7577	8174	8834
			35	2434	2973	3599	4328	5180	6140	7252	7815	8455
			38	2330	2856	3447	4156	4958	5872	6914	7454	8064
			43	2153	2631	3184	3815	4544	5372	6319	6817	7365
3508118	PAS4548Z-3	VSE9530ZXG 4HP	32	4130	5047	6119	7366	8815	10473	12357	13325	14421
			35	3971	4849	5875	7066	8442	10017	11814	12741	13771
			38	3808	4655	5634	6766	8071	9574	11280	12154	13145
			43	3506	4291	5195	6217	7407	8760	10313	11113	12000
3508119	PAS4560Z-3	VSE9538ZXG 5HP	32	5078	6208	7529	9062	10838	12886	15210	16397	17742
			35	4876	5968	7228	8691	10388	12324	14533	15668	16947
			38	4692	5733	6934	8323	9934	11784	13883	14963	16181
			43	4313	5279	6379	7649	9108	10774	12679	13658	14757
3508120	PAS4572Z-3	VSE9545ZXG 6HP	32	6018	7362	8921	10746	12856	15272	18026	19444	21027
			35	5779	7065	8570	10302	12313	14606	17226	18572	20085
			38	5551	6792	8220	9865	11768	13957	16446	17725	19168
			43	5112	6261	7594	9075	10797	12781	15039	16199	17506
3508121	PAS4584Z-3	VSE9548ZXG 7HP	32	6775	8287	10053	12106	14485	17207	20308	21907	23964
			35	6512	7966	9641	11607	13684	16455	19402	20921	22626
			38	6245	7639	9255	11109	13254	15711	18517	19955	21576
			43	5762	7048	8528	10218	12161	14393	16936	18249	19714
3508122	PAS4596Z-3	VSE9558ZXG 8HP	32	7780	9509	11530	13890	16610	19742	23308	25132	27182
			35	7477	9134	11076	13317	15901	18883	22274	24012	25959
			38	7168	8770	10612	12745	15203	18037	21242	22894	24754
			43	6606	8080	9777	11711	13939	16496	19411	20909	22602
3508123	PAS4611Z-3	VSE9566ZXG 9HP	32	9541	11664	14144	17030	20373	24203	28577	30823	33326
			35	9159	11205	13577	16324	19499	23146	27293	29433	31825
			38	8794	10753	13020	15641	18661	22117	26065	28088	30377
			43	8107	9919	11990	14366	17104	20243	23818	25652	27729
3508124	PAS4612Z-3	VSE9576ZXG 10HP	32	10748	13137	15926	19177	22946	27266	32191	34708	37553
			35	10331	12639	15303	18404	21988	26103	30780	33187	35893
			38	9907	12114	14666	17625	21019	24920	29360	31647	34218
			43	9144	11186	13524	16209	19305	22836	26873	28946	31291
3508125	PAS4614Z-3	VSE9595ZXG 12HP	32	12405	15167	18390	22146	26501	31488	37160	40078	43352
			35	11926	14586	17670	21250	25388	30137	35534	38320	41439
			38	11442	13993	16933	20341	24263	28771	33900	36533	39509
			43	10541	12902	15597	18693	22255	26340	30991	33373	36066

20C return vapour
3K sub-cooling

R134a

Product Code	Model	Compressor	Ambient Temp °C	Saturated Suction Temperature: °C								
				-25	-20	-15	-10	-5	0	5	7.5	10
3508116	PAS4524Z-1	VSE9515ZFZ 2HP	32	-	1503	1824	2194	2625	3125	3679	3974	4295
			35	-	1442	1752	2102	2517	2988	3521	3794	4106
			38	-	1386	1680	2020	2404	2854	3360	3622	3919
			43	-	1282	1544	1853	2203	2608	3072	3308	3578
3508117	PAS4530Z-3	VSE9519ZXG 2.5HP	32	-	1795	2175	2620	3132	3722	4393	4739	5122
			35	-	1724	2087	2509	3003	3560	4205	4531	4902
			38	-	1656	1999	2409	2875	3404	4008	4321	4676
			43	-	1525	1846	2212	2634	3115	3664	3952	4270
3508118	PAS4548Z-3	VSE9530ZXG 4HP "	32	-	2926	3548	4270	5111	6072	7164	7726	8361
			35	-	2811	3406	4097	4895	5808	6850	7387	7984
			38	-	2699	3267	3923	4679	5551	6540	7047	7621
			43	-	2488	3012	3605	4294	5079	5979	6443	6957
3508119	PAS4560Z-3	VSE9538ZXG 5HP	32	-	3605	4372	5262	6293	7482	8832	9521	10302
			35	-	3465	4197	5046	6032	7156	8438	9097	9840
			38	-	3329	4026	4833	5726	6842	8061	8688	9395
			43	-	3065	3704	4441	5289	6256	7362	7930	8569
3508120	PAS4572Z-3	VSE9545ZXG 6HP	32	-	4275	5180	6240	7465	8868	10467	11290	12209
			35	-	4102	4976	5982	7150	8481	10002	10784	11662
			38	-	3944	4773	5728	6833	8104	9549	10292	11130
			43	-	3635	4392	5269	6269	7421	8732	9406	10165
3508121	PAS4584Z-3	VSE9548ZXG 7HP	32	-	4812	5837	7029	8410	9991	11792	12270	13758
			35	-	4625	5598	6739	8050	9554	11266	12148	13138
			38	-	4436	5374	6450	7696	9122	10752	11587	12528
			43	-	4093	4952	5933	7061	8357	9834	10596	11447
3508122	PAS4596Z-3	VSE9558ZXG 8HP	32	-	5521	6695	8065	9645	11463	13534	14593	15783
			35	-	5304	6431	7733	9233	10964	12933	13942	15073
			38	-	5092	6162	7401	8828	10473	12334	13298	14373
			43	-	4692	5677	6800	8093	9578	11271	12140	13124
3508123	PAS4611Z-3	VSE9566ZXG 9HP	32	-	6918	8390	10101	12084	14356	16950	18282	19772
			35	-	6646	8053	9682	11565	13729	16188	17458	18877
			38	-	6378	7723	9277	11068	13118	15460	16660	18017
			43	-	5883	7112	8521	10145	12007	14127	15215	16447
3508124	PAS4612Z-3	VSE9576ZXG 10HP	32	-	7776	9427	11351	13582	16139	19054	20544	22228
			35	-	7481	9058	10894	13014	15450	18219	19643	21245
			38	-	7170	8681	10432	12441	14750	17378	18732	20254
			43	-	6621	8005	9594	11427	13517	15906	17133	18521
3508125	PAS4614Z-3	VSE9595ZXG 12HP	32	-	8978	10885	13108	15686	18638	21995	23722	25660
			35	-	8634	10459	12578	15027	17838	21032	22682	24528
			38	-	8282	10022	12040	14326	17030	20065	21624	23385
			43	-	7637	9232	11064	13173	15591	18344	19754	21347

20C return vapour
3K sub-cooling

COMPAC Nomenclature



Family

S = Single Phase
No letter = Three Phase

Application

4 = Medium Temperature

Capacity

Number of digits of cooling capacity.

Refrigerant

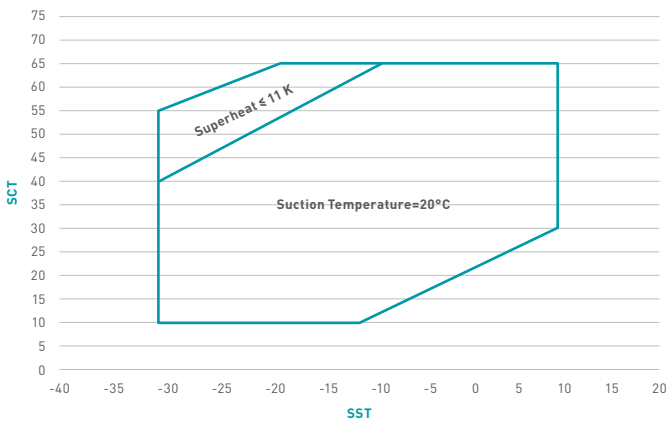
Z = R404A, R448A, R449A, R452A, R134a

Capacity

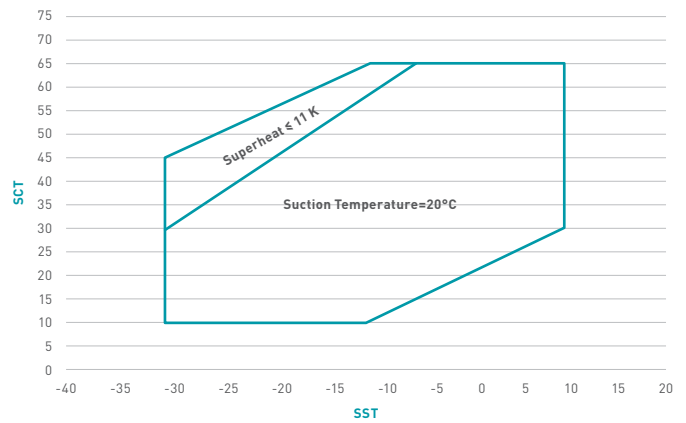
First two digits in Rating Point Capacity @60Hz (46,000 Btu/h)

COMPRESSOR OPERATING ENVELOPES

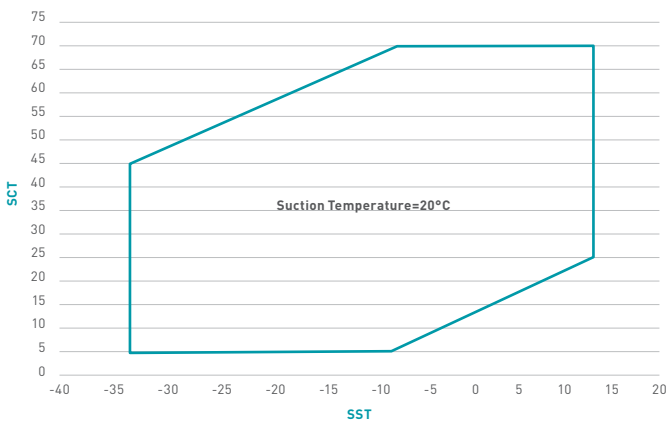
VSE Scroll Compressor R404A and R452A Operating Envelope



VSE Scroll Compressor R448A and R449A Operating Envelope



VSE Scroll Compressor R134a Operating Envelope





SHOP ONLINE

HUNDREDS OF PARTS.
ONE LOCATION.

[ACTROL.COM.AU/MAX](https://actrol.com.au/max)

DOWNLOAD
MAX ON





Actrol. Works for you.

Call **1800 ACTROL** or visit www.actrol.com.au for your nearest branch.

The manufacturer/distributor reserves the right to vary specifications or delete models from their range without prior notification. The manufacturer/distributor takes no responsibility for printing errors. All dimensions are nominal only.

August 2020

COMPAC

ACTROL™