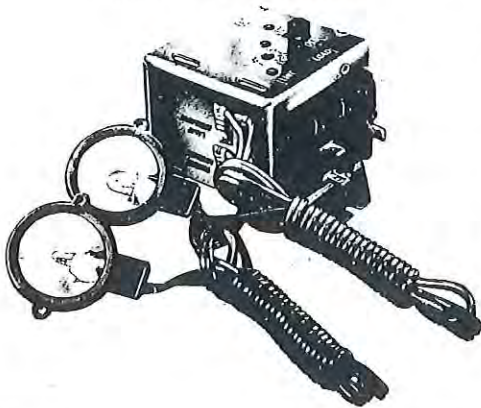


RANCO ICE BANK & LIQUID LEVEL CONTROLS

E20 PHOTO-ELECTRONIC BIN LEVEL CONTROL



The Type E20 Bin Level Control is designed to maintain, photoelectronically, the amount of ice in the storage bin of automatic ice-making machines at a set level.

Recommended operating distance between the light source and sensor units is 457mm (18") or less.

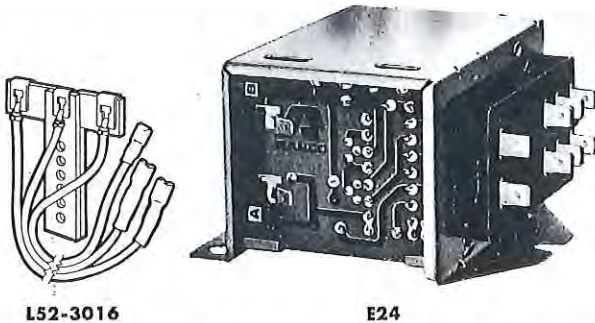
OPERATION : A parallel beam of light is projected across the storage bin at the level at which it is desired to maintain the stored ice. As the level of ice builds up and depletes, it makes and breaks the light beam, thereby controlling the compressor on-off function.

SPECIFICATIONS

VOLTAGE RANGE : 210 to 260 V.AC.
POWER CONSUMPTION : 6.0 Watts maximum (compressor on)
 : 2.4 Watts maximum (compressor off)
THERMAL RELAY : Ambient compensated 4.4°C to 49°C (40°F to 120°F)
TIME DELAY (Nominal) : 2 minutes at compressor turn-on
OPERATING RANGE : 457 mm (18") or less.
ELECTRICAL RATINGS : 240 V. AC. 20 A. Full Load.84A.Locked Rotor.

CATALOGUE NO. 1491 : TYPE E20 - 2402

TYPE E24 *Now E37* ICE BANK/LIQUID LEVEL CONTROLS



APPLICATION ICE BANK CONTROL

Vending Machines
 Drink Dispensers
 Industrial Ice Banks
 Milk Coolers

LIQUID LEVEL CONTROL

Ice Machines
 Carbonators
 Industrial Processing
 Sump Pump

ICE HARVEST CONTROL Commercial Ice Machines

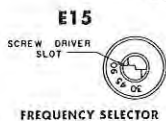
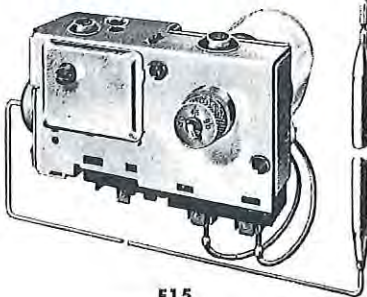
Designed to control thickness of ice or level of a conductive liquid in commercial ice bank, ice harvest or liquid level equipment. Provided with solid state circuitry, E24 senses difference in resistance between water and ice or air and liquid for commercial ice bank and liquid level applications.

Features zinc plated steel chassis, low voltage AC sensing — eliminating electrolysis, high capacity switching, and no first cycle effect for ice bank applications. Unaffected by normal water contaminants, line voltage fluctuations, or line noise. Liquid level or ice bank sensors provided with control.

CAT. NO.	TYPE & CODE NO.	SWITCH ACTION	OPERATING VOLTAGE TERM.7&8	CONTROL RELAY ELECT. RATINGS *		CONTROL CHASSIS CODE NO.	SENSOR	
				LOAD CONTACTS 1&2 NORM.OPEN	LOAD CONTACTS 1&3 NORM.CLOSED		LEAD LGTHS mm (ins)	LEAD CODE NO.
-	E24-2405	DPDT	240V.AC.	FL. 4A LR. 24A	FL. 2A LR. 12A	E24-2425	17.3cm (68")	L52-3016

* For higher electrical loads use contactor. Sensor-contacts 4, 5 & 6 (differential level sensing) Pilot Duty only.

TYPE E15 DE-ICE CONTROLS



APPLICATION

Designed to control removal of ice or frost from outside coil of central or window unit heat pump systems.

DESCRIPTION

Control package encompasses all necessary functions of a de-ice control with reliability and ease of application. Features frequency selection of de-ice cycle and field adjustment of termination temperature. Interlock requires an initiation temperature of 25°F or below at the event of time initiation. After a trial initiation period, interlock permits only one de-ice initiation per time period.

To select de-ice frequency, line up one of the numbers on knurled knob with edge of screwdriver slot. When knob is set at 30, timer will attempt to initiate de-ice every 30 minutes; set at 45, it will attempt every 45 minutes, etc.

CAT. NO.	TYPE CODE NO.	FEATURES	FOR ONE REVOLUTION OF SHAFT			INITIATION TEMP. °C(°F)	TERMINATION TEMPERATURE		ELECT. RATINGS
			TIME	INITIATIONS	TERMINATION		COLD CAM	WARM CAM	
1493	E15-2501	Adjustable Freq.& Term.	90 mins	1, 2 or 3	10 mins	-3.3°C(26°F) or below	13°C(55°F)	21°C(70°F)	240V. AC. 3 Watts.

OIL PROTECTION CONTROLS



Differential Pressure Controls Types MP 55, 55A

Types MP 55 and 55A are designed for use as safety pressure controls on pressure-lubricated refrigeration compressors. The control stops the compressor after a preset interval if the oil pressure fails. Type MP 55 is used in refrigeration systems for fluorinated refrigerants such as R12, R22, R500, and R502.

Type MP 55A is designed for use in R717*(NH₃) refrigeration systems. It can also be used in plants working with fluorinated refrigerants.

MP 55 and 55A are equipped with a built-in thermal timing relay set for a fixed release time.

The Control contains two separate electrical circuits. One of the advantages this gives is that the differential pressure control need no longer be the last link in the electrical circuit of the plant. This means that the control device (pressure control, thermostat) can be placed anywhere in the control circuit, before or after the differential pressure control. This leads to simpler, often less expensive, installation.



MP 55

Cat. No.	Type	Code No.	Release Time of Timing Relay	Working Range LP Conn. kPa (psig)	Differential Range kPa (psi)	Contact Differential kPa (psi)	Connection	Max. Permissible Bellows	
								Press. kPa (psig)	Temp. °C (°F)

FOR REFRIGERANTS R12, R13B1, R22, R500, R502

15067	MP55	60B0171	60 sec.	-100 to 1200	30 to 450	20	1/4"	2200	100
15068	MP55	60B0172	90 sec.	(30" to 174)	(4.3 to 65)	(2.9)	Flare	(319)	(212)

FOR REFRIGERANTS R717, R12, R13B1, R22, R500, R502

15069	MP55A	60B0175	60 sec.	-100 to 1200	30 to 450	20	6/10 mm	2200	100
15070	MP55A	60B0176	90 sec.	(30" to 174)	(4.3 to 65)	(2.9)	Weld Nipple	(319)	(212)

ELECTRICAL RATING : Pilot Duty 2A. 250V.

KK.20.B1.02

PENN

P74 SERIES LUBE OIL PROTECTION CONTROL

WITHOUT TIME DELAY

Series P74 measures pressure difference between two sources, same as Series P28, but does not incorporate time delay. For use on any application within the pressure and electrical ratings shown, where relationship between two pressures is critical to proper equipment operation.

P74AA-2 may be used with Series P28 on two refrigeration compressors operated by one double shaft motor to provide time delayed shutdown should lube oil pressure fail on either compressor.

FOR ALL REFRIGERANTS EXCEPT AMMONIA

Cat. No.	Type	Switch Action	Range		Pressure Connections	Max. Bellows Pressure (Momentary) kPa (psig)
			kPa	psig		
15036	<u>P74AA-2</u>	SPST Closes on Decrease in Press. Diff.	50 to 450 (Adjustable)	7 to 65 (Adjustable)	36" Cap. with 1/4" Flare Nut	2240 (325)
15035	<u>P74BA-14</u>	SPST Opens on Decrease in Press. Diff.	50 to 450 (Adjustable)	7 to 65 (Adjustable)	36" Cap. with 1/4" Flare Nut	2240 (325)

Electrical Ratings : Refer Tech. Page 144-g



SERIES P74

P45 SERIES LUBE OIL PROTECTION CONTROL

SPECIAL FOR COPELAND APPLICATION

WITH TIME DELAY

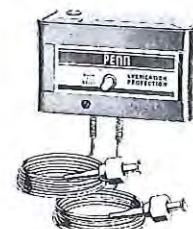
ELECTRICAL RATING—PILOT DUTY

Max. Bellows Pressure: 2930 kPa (425 psig)

Time Delay Heater Circuit	Pilot Duty
120/240V. A.C.	750 VA. 120/240V. AC

Cat. No.	Type	Time Delay	Heater Circuit Volts. AC	Type of Reset	Factory Setting *		Refrigerant	Pressure Connection
					kPa	psig		
15015	<u>P45NCA-12</u>	120 Sec.	120/240	Manual	62	9	Non-Corrosive	36" Cap. with 1/4" Flare Nut

* Switch differential approx. 35 kPa (5psi). Time delay relay energises at 62 kPa (9psi) pressure difference, de-energised at 96.5 kPa (14psi) difference. Time Delay Relay is not field replaceable.



P45NCA-12

Underlined Models have Metric Scales — Refer Tech. Page 144-f for English to Metric Cross Reference Chart.

PENN — Continued Next Page.

OIL PROTECTION CONTROLS PENN Cont'd.



P29NC-43



P29NC-44

P29 SERIES LOW LIMIT PRESSURE CONTROL WITH TIME DELAY

P29NC has a time delay device and lockout requiring manual reset wired as an integral part of the switch. Standard time delay is 60 seconds. Completely compensated to provide uniform timing.

For pressure lubricated machinery. Provides protection of machinery against failure of lubrication system. Time delay prevents nuisance shut downs due to momentary fluctuations in oil pressure.

ELECTRICAL RATINGS : Pilot duty rating of 750 VA., 120/240 V.A.C. or 57.5 VA., 24 V.D.C. An external step down transformer for 440 and 550 V.A.C. applications must be of sufficient capacity to supply 13 VA. at 120 V. or 26 VA. at 240V. for time delay.

Cat. No.	Type	Switch Action	Min. to Max. Pressure to Open Contacts kPa (psig)	Press. Drop to Close Contacts kPa (psi)	Max. Bellows Pressure kPa (psig)	Pressure Connection	Time Delay Setting
1509	<u>P29NC-43</u>	SPST	-70 to 700 (20" to 101)	7 to 21 (1 to 3)	2241 (325)	1/4" Male Flare	60 sec. Factory Set
15010	<u>P29NC-44</u>	SPST	-70 to 700 (20" to 101)	7 to 21 (1 to 3)	2241 (325)	3/6" Copper Cap. Tube 1/4" Fl. Nut	60 sec. Factory Set

P28 SERIES LUBE OIL PROTECTION CONTROL WITH TIME DELAY

Provides dependable protection against major breakdowns on pressure lubricated refrigeration compressors by guarding against low lube oil pressure.

A built-in time delay switch, accurately compensated for ambient temperature, allows for pressure pick up on start and avoids nuisance shutdowns on pressure drops of short duration during the running cycle.

The time delay assembly (timer and terminal board) may be easily removed and replaced in the field. Time delay switch is a "trip-free" expansion rod device actuated by a resistance heater.

Models for 12V. or 24 V.A.C. or D.C. with 120 seconds timing available as standard. Models with other timings available on special order.



SERIES P28
Shown with
Manual Reset

Cat. No.	Type	Time Delay	Heater Circuit Volts. AC.	Type of Reset	Range*		Refrigerant	Pressure Connection
					kPa	psig		
1506	<u>P28AA-41</u>	90 sec.	120/240	Manual	50 to 500	7 to 72	Non-Corrosive All-Range	3/6" Cap. with 1/4" Flare Nut
1504	<u>P28AA-42</u>	60 sec.	120/240	Manual	50 to 500	7 to 72	Non-Corrosive All-Range	3/6" Cap. with 1/4" Flare Nut
15051	<u>P28AA-43</u>	120 sec.	120/240	Manual	50 to 500	7 to 72	Non-Corrosive All-Range	3/6" Cap. with 1/4" Flare Nut
15055	<u>P28AA-44</u>	45 sec.	120/240	Manual	50 to 500	7 to 72	Non-Corrosive All-Range	3/6" Cap. with 1/4" Flare Nut
1508	<u>P28AN-22</u>	90 sec.	120/240	Manual	.25 to 5kg	7 to 72	Ammonia	1/4" Female NPT
1505	<u>P28DA-7</u>	90 sec. with Safelite & Alarm Circuit	120/240	Manual	50 to 500	7 to 72	Non-Corrosive All-Range	3/6" Cap. with 1/4" Flare Nut
15052	<u>P28GA-6</u>	90 sec.	120/240	Auto.	50 to 500	7 to 72	Non-Corrosive All-Range	3/6" Cap. with 1/4" Flare Nut
15053	<u>P28NA-15</u>	120 sec.	24V. AC or DC	Manual	50 to 500	7 to 72	Non-Corrosive All-Range	3/6" Cap. with 1/4" Flare Nut

* Switch differential approximately 35 kPa (5psi).

ELECTRICAL RATINGS -- PILOT DUTY

Time Delay Heater Circuit	Pilot Circuit	Alarm Circuit *	Contact Rating ** 2 to 1; 2 to 3.
120/240V. A.C.	750 VA. 120/240V. A.C.	125VA. 120/240V. A.C.	10 Amps. 120V. A.C. 5 Amps. 240V. A.C.
12V. A.C. or D.C.	125VA. 24V. A.C.	125VA. 24V. A.C.	10 Amps. 24V. A.C.
24V. A.C. or D.C.	57.5VA. 24V. D.C.	57.5VA. 24V. D.C.	10 Amps. 24V. D.C.

* Must be same voltage as pilot circuit.

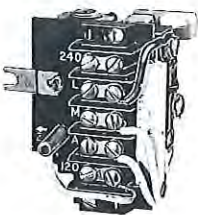
** Must be same voltage as time delay circuit.

Underlined Models have Metric Scales — Refer Tech. Page 144-f for English to Metric Cross Reference Chart.

RLY13A - TIME DELAY ASSEMBLY

The time delay assembly (timer and terminal board) in the P28 and P29 Series Controls may be removed and replaced in the field.

CAT. NO.	TYPE	VOLTAGE	TYPE OF RESET	TIMING IN SEC.	ALARM CIRCUIT
15030	RLY13A-600R	120/240V. AC	Manual	60	No.
15028	RLY13A-602R	120/240V. AC	Manual	90	No.
15031	RLY13A-608R	120/240V. AC	Automatic	90	No.
15032	RLY13A-616R	120/240V. AC	Manual	120	No.
15029	RLY13A-617R	120/240V. AC	Manual	45	No.

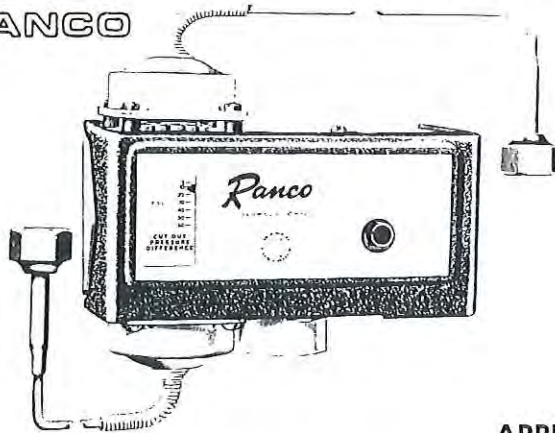


Time Delay Switch

OIL PROTECTION CONTROLS

TYPE P30

DIFFERENTIAL OIL PRESSURE CONTROL WITH TIME DELAY SWITCH



FUNCTION

The Type P30 Differential Oil Pressure Control provides protection for pressure-lubricated type refrigeration compressors, against the loss of lubricating oil pressure, which could cause severe bearing damage, resulting in a compressor breakdown.

FEATURES

- A. TIME DELAY CIRCUIT TO AVOID "NUISANCE" SHUT-DOWN.
- B. SAFELIGHT CONNECTION.
- C. ALARM CIRCUIT CONNECTION.
- D. MANUAL RESET.
- E. REPLACEABLE TIME DELAY SWITCH.
- F. FIELD ADJUSTABLE PRESSURE DIFFERENCE.

APPLICATION

The Type P30 Control, by means of two opposing, **pressure-operated** power element assemblies, senses the **difference** between the crankcase pressure, and the oil pump pressure. This difference in pressures is the "**effective oil pressure**" that is available to circulate the lubricating oil to the bearing surfaces.

A time delay switch allows the oil pressure to **build up** to a **preset operating pressure** on compressor start, and also prevents "**nuisance**" shut-down of the compressor on oil pressure drops of short duration.

CAUTION: The control should be mounted so that both **bellows** are **above** the **liquid level** of the equipment on which the control is used. This is to prevent possible accumulation of foreign matter inside the bellows.

CAT. NO.	TYPE	RANGE CUT-OUT PRESSURE DIFFERENTIAL (C.O.P.D.)		C.O.P.D. MINUS CUT-IN PRESS. DIFF.		MAXIMUM OVER PRESSURE		TIME DELAY (SECS.)	CAPILLARY TUBE LENGTH	ELECTRICAL RATING PILOT DUTY
		kPa	psi	kPa	psi	kPa	psi			
15049	P30-3801	35 to 414	5 to 60	Fixed 48	Fixed 7 Max.	2069	300	120	36"	720VA
15013	P30-3701	35 to 414	5 to 60	Fixed 48	Fixed 7 Max.	2069	300	90	Cap. Tube	@
15012	P30-3601	35 to 414	5 to 60	Fixed 48	Fixed 7 Max.	2069	300	60	½" Flare Nut	120 or 240
15050	P30-3501	35 to 414	5 to 60	Fixed 48	Fixed 7 Max.	2069	300	45	Both sides	VAC



TYPE ONS – DIFFERENTIAL OIL PRESSURE CONTROL

providing protection against low lubricating oil pressure

- FEATURES:**
- ★ For use with Fluorinated Refrigerants
 - ★ Single Pole Double Throw mechanisms – double snap-action ensures reliable switching
 - ★ Direct Flare Connections or Capillary types available
 - ★ Manual Reset & Built-in Time Delay switch options of 45, 90, 110 seconds
 - ★ Mounting Bracket supplied as Standard

Cat. No.	Type	Range of Differential		Differential of Differential		Limit of Diff. kPa(psig)	Time Delay Options*	Connections	Electrical Ratings 250V. AC.		
		kPa	psi	kPa	psi						
	ONS-C106X	50	7	50	7	1500 (218)	45 sec. 90 sec. 110 sec.	½" SAE Male Flare	Running Current 3A Locked Rotor 10A Non-Inductive 3.5A		
		to 350	to 51							Approx.	Approx.
	ONS-C106XQ	50	7	50	7	1500 (218)	45 sec. 90 sec. 110 sec.	1 m. Cap. with ½" SAE Flare Nut			
		to 350	to 51							Approx.	Approx.

* When ordering, specify Time Delay Option required.

NOTES

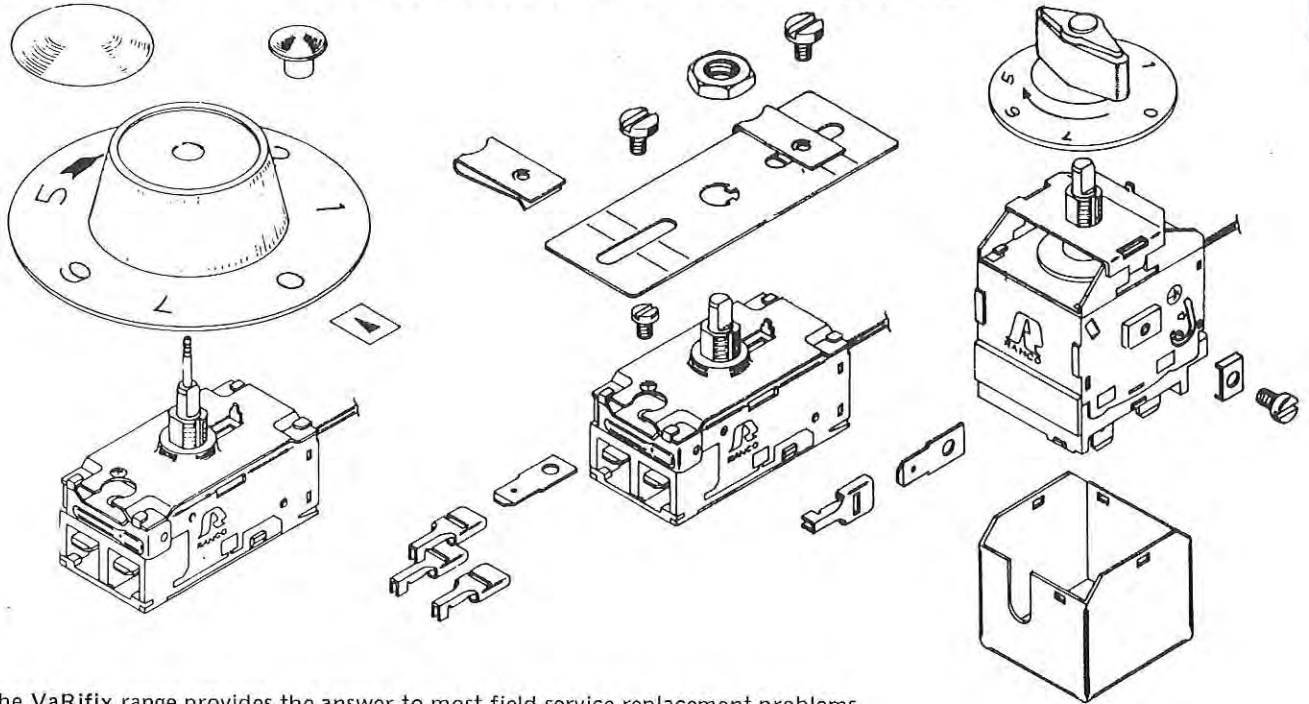
WE BELIEVE IN GOOD QUALITY PARTS AND EQUIPMENT, RELIABLE SERVICE, BACKED BY LARGE STOCK HOLDINGS SUPPLIED BY REPUTABLE AND TRUSTWORTHY COMPANIES



VaRifix

THE ADAPTABLE CONTROL

1



The VaRifix range provides the answer to most field service replacement problems. The controls are supplied with a complete set of accessories, packed in individual cartons, for use in the servicing of domestic refrigerators, freezers and ice cream cabinets, water and bottle coolers. Each standard carton contains 84 controls. Each control can be fixed either by a centre bush, or by using the adaptable bracket, which provides mounting centres between 35 mm and 68 mm. This bracket can be mounted longitudinally or transversely as required.

Cat. No.	Control	Application	Cold Out °C (°F)	Cold In °C (°F)	Normal Out °C (°F)	Normal In °C (°F)	Warm In °C (°F)	Defrost Termination °C (°F)	Signal Operation °C (°F)	Capillary Length mm (ins)
15151	VC 1	Compressor Refrig.	-24 (-11.2)		-14 (+6.8)	-5 (+23)	+2 (+35.6)			1200 (47)
15152	VA 2	Electric Absorption Refrig.	-12 (+10.4)		-4.5 (+24)	-0.5 (+31)	+2.5 (+36)			2000 (78)
15153	VF 3	Freezer and Ice Cream Cabinet	-32 (-25.6)		-24 (-11.2)	-18 (-0.4)	-12 (+10.4)			2000 (78)
15154	VP 4	Compressor Refrig.	-26.5 (-15)		-18 (-0.4)	-9.5 (+15)	-4 (+24.8)	+5.5 (+42)		1200 (47)
15155	VS 5	Freezer with Standard Signal	-32 (-25.6)		-24 (-11.2)	-18 (-0.4)	-12 (+10.4)		Cut in 5.5 (10)above Cut in	2000 (78)
15156	VR 6	Freezer with Reverse Signal	-32 (-25.6)		-24 (-11.2)	-18 (-0.4)	-12 (+10.4)		Cut out 5.5 (10)above Cut in	2000 (78)
15157	VB 7	Bottle or Beverage Cooler	-3 (+26.6)	+2 (+35.6)			+12 (+53.6)			1200 (47)
15158	VW 8	Window Air Conditioner	+15.5 (+60)	+18 (+64.4)			+31.5 (+88)			1200 (47)
							Warm Out	Const.Cut-in		
15159	VT 9	Cycle Defrost Refrig.	-26 (-14.8)				-11 (+12.2)	+3.5 (+38.3)		1200 (47)

ELECTRICAL RATINGS : VC1, VA2, VF3, VP4, VB7, VT9 - 6 amps. inductive 250V. A.C.
 VS5, VR6 - Terminals 1 - 2. 6 amps. inductive 250V. A.C.
 Signal switch terminals 1 - 3. 1 amp. inductive 250V. A.C.
 VW8 - 16 amps. inductive 250V. A.C.

REFER TO FOLLOWING TECH. PAGES FOR WIRING DIAGRAMS AND REPLACEMENT REFERENCE DETAILS

NOTE : FIRST 3 NUMERALS OF CAT. NO. INDICATES PAGE NO.

RANCO VaRiFIX ADAPTABLE CONTROL

CHART OF ACCESSORIES

ITEM	PART NO.	VC1, VA2, VF3 VB7, VW8	VP4	VS5, VR6	VT9
Captive Nut (2 off)	81184 - 2	X	X	X	X
Mounting Screw (2 off)	81951 - 1	X	X	X	X
Adaptable Bracket	390306 - 1	X	X	X	X
Centre Mounting Nut	58175 - 2	X	X	X	X
Datum Marker	82520 - 1	X	X	X	X
Dial Knob (Large)	80032 - 3	X		X	X
Dial Knob (Large)	80032 - 4		X		
Dial Knob (Small)	81154 - 4	X		X	X
Push on Connector (4 off)	55892 - 1	X	X	X	X
Push Button	59116 - 1		X		
Terminal Cover	301812 - 1			X	
Connector Insulator (4 off)	81984 - 1	X	X	X	X
Instruction Leaflet	302393	X	X	X	X

REPLACEMENT REFERENCE

INCLUDES CONTROLS MANUFACTURED BY AUSTRALIAN CONTROLS AND/OR OVERSEAS RANCO COMPANIES. THESE CONTROLS ARE ALSO SUITABLE FOR MANY APPLIANCES NOT ORIGINALLY FITTED WITH RANCO CONTROLS.

VC 1 COMPRESSOR CONTROL CAT. NO. 15151 This is a usable replacement for the following Ranco codes. It is also suitable for refrigerators not originally fitted with a Ranco control.

A52 100	A50 139	A50 193	A50 272	A50 525	A50 568
A52 101	A52 139	A50 194	A50 274	SA 526	SA 569
A50 104	A50 140	A50 196	A50 278	SA 527	SA 570
A52 106	A52 140	A50 197	A50 279	SA 528	SA 571
A50 107	A50 141	A50 199	A50 280	SA 529	SA 572
A50 108	A50 142	A50 200	A50 281	A50 529	A60 573
A50 109	A52 143	A50 201	A50 288	SA 533	SA 574
A52 109	A50 144	A50 202	A50 290	A50 534	A50 576
A50 110	A52 144	A50 206	A50 291	SA 535	SA 577
A52 110	A50 145	A50 209	A50 292	SA 536	A50 577
A50 111	A52 145	A50 210	A50 293	A50 536	SA 578
A52 111	A50 147	A50 213	A50 295	SA 537	SA 579
A52 112	A52 147	A50 216	A50 297	SA 538	A50 580
A50 113	A50 151	A50 217	A50 299	A50 539	SA 580
A52 113	A52 155	A50 220	A50 300	SA 540	SA 581
A50 114	A50 156	A50 221	A50 301	A10 540	SA 582
A50 115	A52 156	A50 222	A50 309	A50 541	SA 583
A50 116	A50 157	A50 223	A50 311	SA 543	SA 584
A52 116	A52 157	A50 224	A50 316	A50 543	A50 584
A50 117	A50 158	A50 225	A50 317	SA 544	A50 585
A52 117	A52 158	A50 226	A50 321	A50 544	A50 586
A50 118	A52 159	A50 227	A50 323	SA 545	A50 588
A50 119	A50 160	A50 228	A50 324	SA 546	SA 591
A52 119	A52 160	A50 230	SA 500	SA 547	A50 591
A52 120	A50 162	A50 233	SA 501	A50 547	SA 594
A50 121	A52 163	A50 234	SA 502	SA 548	SA 596
A52 121	A52 164	A50 235	SA 503	A50 548	SA 598
A50 122	A50 166	A50 237	SA 504	SA 549	SA 599
A52 122	A52 166	A50 238	SA 505	A50 549	A50 599
A50 123	A50 169	A50 239	SA 506	A50 551	A50 600
A50 124	A50 170	A50 240	SA 507	SA 552	SA 601
A50 125	A50 171	A50 242	SA 508	A50 552	SA 604
A52 125	A50 173	A50 243	SA 509	SA 553	A50 606
A50 126	A50 174	A50 244	SA 510	SA 554	A50 607
A52 127	A52 175	A50 250	SA 512	SA 555	A50 608
A50 128	A50 176	A50 251	SA 513	A50 555	A50 609
A50 129	A50 177	A50 252	SA 515	SA 556	A50 PO613
A52 129	A50 179	A50 253	SA 516	A50 556	A50 614
A50 133	A52 179	A50 255	SA 517	A50 559	SA 616
A50 134	A50 180	A50 258	SA 518	A50 561	SA 617
A52 134	A52 183	A50 263	SA 519	SA 562	SA 618
A50 135	A50 186	A50 264	SA 520	SA 563	SA 620
A50 136	A50 187	A50 267	SA 522	SA 564	SA 621
A50 137	A50 189	A50 268	SA 523	SA 565	SA 622
A50 138	A50 192	A50 271	SA 525	SA 568	SA 623

REFER TO PAGE 151 FOR FULL SPECIFICATIONS OF THE RANCO VaRiFIX ADAPTABLE CONTROLS

RANCO VARIFIX REPLACEMENT REFERENCE (CONT'D)

VC 1 COMPRESSOR CONTROL (Continued)

CAT. NO. 15151

SA 624	A10 968	A10 1067	A10 1214	A10 1474	A10 2121
SA 627	SA 969	A10 1068	SA 1217	A10 1475	A50 2131
SA 628	SA 972	SA 1070	SA 1218	SA 1503	A50 2204
SA 629	SA 973	A10 1071	SA 1220	A10 1575	A50 2205
SA 630	SA 974	A10 1072	A10 1227	SA 1613	A50 2206
SA 631	SA 975	A10 1073	A10 1228	A50 2000	A50 2208
SA 632	SA 977	SA 1074	SA 1233	A50 2002	A50 2209
SA 633	SA 978	SA 1076	SA 1234	A50 2003	A50 2211
SA 634	A10 979	A10 1077	A10 1241	A50 2005	A50 2213
SA 638	SA 980	A10 1083	SA 1242	A55 2005	A50 2214
SA 640	A10 980	SA 1085	SA 1244	A50 2007	A50 2216
SA 647	SA 983	A10 1087	A10 1245	A50 2008	A50 2217
SA 648	SA 984	A10 1088	A10 1248	A52 2012	A50 2220
SA 649	SA 985	SA 1090	A10 1252	A50 2015	A50 2274
SA 650	A50 1001	A10 1092	SA 1253	A50 2016	A50 2275
SA 651	SA 1002	A10 1096	SA 1254	A50 2017	A50 2277
SA 654	A10 1002	A10 1120	SA 1256	A50 2019	A50 2280
SA 655	SA 1003	A10 1126	SA 1258	A50 2020	A50 2284
SA 656	SA 1004	A10 1132	SA 1259	A50 2021	A50 2291
SA 658	A10 1005	A10 1151	SA 1260	A50 2022	A50 2297
A10 698	SA 1006	A10 1152	SA 1261	A50 2023	A50 2298
A10 701	SA 1014	SA 1153	SA 1262	A50 2024	A50 2301
SA 728	A10 1014	SA 1154	SA 1264	A50 2026	A50 2304
SA 731	SA 1015	A10 1158	SA 1270	A50 2027	A50 2307
SA 734	SA 1016	A10 1159	SA 1273	A50 2028	A50 2308
SA 736	A10 1016	SA 1165	SA 1278	A50 2029	SA 2511
SA 807	SA 1017	SA 1167	SA 1280	A50 2034	A10 2921
SA 808	A10 1017	SA 1168	SA 1286	A50 2035	SA 2922
A10 852	A10 1019	SA 1170	SA 1294	A50 2037	A10 2922
A10 862	SA 1021	SA 1171	SA 1302	A50 2040	A50 3000
A10 863	SA 1023	SA 1172	SA 1304	A50 2046	A50 3001
A10 866	SA 1025	SA 1173	SA 1311	A50 2056	A10 3719
A10 890	SA 1026	SA 1174	A10 1312	A50 2059	A10 3848
A10 917	SA 1029	SA 1175	A10 1321	A50 2060	A10 3851
A10 932	A10 1029	SA 1176	A10 1323	A50 2061	A10 3877
SA 940	SA 1030	SA 1177	A10 1353	A50 2064	A50 4909
A10 940	A10 1030	SA 1179	A10 1361	A50 2066	A50 5100
SA 941	A10 1034	A10 1182	A10 1362	A50 2069	A50 5107
SA 943	A10 1044	A10 1184	A10 1364	A50 2070	A50 5111
SA 945	SA 1047	SA 1190	A10 1365	A50 2072	A50 5116
A10 945	SA 1050	SA 1193	A10 1366	A50 2078	A50 5125
SA 946	A10 1051	A10 1193	A10 1372	A50 2082	A50 5128
SA 947	A10 1052	A10 1197	A10 1374	A50 2083	A50 5129
A10 947	A10 1053	SA 1199	A10 1377	A50 2100	A50 5239
A10 954	A10 1058	SA 1200	A10 1378	A50 2103	A50 5572
SA 955	SA 1060	A10 1200	A10 1383	A50 2107	A50 52284
SA 959	A10 1060	SA 1204	A10 1461	A50 2110	A50 52307
SA 960	A10 1062	SA 1205	A10 1462	A50 2111	A10 6128
A10 962	A10 1063	SA 1206	A10 1467	A50 2115	A50 7008
SA 964	A10 1064	A10 1211	A10 1469	A50 2118	
SA 966	A10 1065	A10 1212	A10 1473	A50 2119	

VA2 ABSORPTION CONTROL

CAT. NO. 15152

This is a usable replacement for the following

Ranco codes. It is also suitable for refrigerators not originally fitted with a Ranco control.

A52 102	A50 191	A50 310	SA 597	A10 1213	A50 2047
A52 103	A50 247	A50 322	A50 601	SA 1239	A50 2068
A52 104	A50 256	A50 528	SA 736	SA 1240	A50 2101
A52 105	A50 257	A50 532	SA 962	A10 1318	A50 2112
A52 135	A50 262	A50 538	SA 967	A10 1340	A50 2132
A52 138	A50 270	A50 557	SA 982	A10 1346	A50 2134
A50 146	A50 276	A50 567	A10 1040	A50 2012	A50 2296
A52 146	A50 282	A50 581	A10 1055	A55 2013	A10 6121
A50 155	A50 283	A50 582	SA 1183	A50 2033	
A50 190	A50 296	SA 593	SA 1213	A50 2041	

Continued next Page.

REFER TO PAGE 151 FOR FULL SPECIFICATIONS OF THE RANCO VaRafix ADAPTABLE CONTROLS

RANCO VARIFIX REPLACEMENT REFERENCE (CONT'D)

VP3 ICE CREAM & FREEZER CONTROL

CAT. NO. 15153

This a usable replacement for

the following Ranco codes. It is also suitable for cabinets not originally fitted with a Ranco control.

A52 114	A50 307	SA 1231	A52 2008	A10 2120	SA 2823
A52 123	A50 308	SA 1232	A50 2009	A50 2120	SA 2886
A52 130	A50 315	A10 1236	A52 2009	SA 2126	SA 2906
A52 136	A50 319	SA 1255	A50 2010	A10 2126	A10 2913
A50 148	A50 526	SA 1266	A52 2010	SA 2127	A50 3006
A50 149	A50 527	SA 1301	A50 2011	SA 2128	A10 3507
A52 152	A50 533	SA 1304	A50 2013	SA 2129	A10 3515
A50 153	A50 535	SA 1306	A52 2013	A10 2129	A10 3685
A52 154	SA 539	SA 1308	A52 2014	SA 2131	A10 3732
A50 159	A50 542	SA 1309	A52 2015	SA 2133	A10 3738
A50 161	SA 551	A10 1313	A52 2016	SA 2135	A10 3755
A50 163	A50 553	A10 1316	A52 2017	A50 2136	A10 3782
A50 164	A50 558	A10 1319	A50 2018	SA 2136	A10 3819
A50 168	SA 561	A10 1320	A52 2019	A10 2138	A10 3824
A52 171	A50 562	SA 1322	A52 2020	SA 2139	A10 3827
A50 172	A50 565	A10 1343	A52 2021	A10 2140	A10 3847
A50 178	A50 569	A10 1345	A50 2031	A10 2141	A10 3849
A50 182	A50 572	A10 1360	A50 2032	SA 2142	A10 3882
A50 183	SA 575	A10 1363	A50 2039	SA 2143	A10 3906
A50 185	SA 576	A10 1368	A50 2042	SA 2144	A10 3909
A50 188	A50 579	A10 1381	A50 2043	A10 2145	A10 3920
A50 195	A50 583	A10 1385	A50 2044	A10 2146	A10 3921
A50 198	A50 594	A10 1452	A50 2048	A50 2203	A10 3926
A50 203	A50 598	A10 1457	A50 2049	A50 2210	A10 3927
A50 204	SA 600	A10 1458	A50 2050	A50 2219	A10 3933
A50 207	A50 603	A10 1478	A50 2052	A50 2276	A10 3936
A50 212	A50 610	A10 1479	A50 2053	A50 2278	A10 3937
A50 214	SA 635	A10 1484	A50 2058	A50 2279	A10 3950
A50 215	SA 636	A10 1485	A50 2062	A50 2281	A10 3952
A50 218	SA 637	A10 1489	A50 2063	A50 2282	A10 4907
A50 219	SA 646	SA 1503	A50 2067	A50 2283	A10 4914
A50 229	A10 889	A10 1503	A10 2101	A50 2285	A50 5104
A50 236	SA 953	SA 1511	A50 2104	A50 2289	A50 5112
A50 241	A50 1002	SA 1512	SA 2106	A50 2293	A50 5114
A50 246	SA 1009	SA 1513	A10 2106	A50 2306	A50 5119
A50 248	SA 1027	SA 1518	SA 2107	A50 2310	A50 5120
A50 249	SA 1028	SA 1521	A10 2108	A10 2441	A50 5121
A50 254	SA 1043	SA 1522	SA 2109	SA 2502	A50 5123
A50 259	A10 1056	A52 2000	A10 2109	A10 2502	A50 52293
A50 261	A10 1066	A50 2001	A50 2109	SA 2503	A10 6108
A50 265	A10 1069	A52 2001	A10 2110	SA 2506	A10 6112
A50 266	A10 1094	A55 2001	SA 2111	SA 2590	A10 6113
A50 269	A10 1095	A52 2002	A10 2111	SA 2591	A10 6116
A50 277	A10 1101	A52 2003	A10 2112	SA 2592	A10 6120
A50 285	A10 1181	A52 2004	A10 2113	SA 2593	A10 6131
A50 286	SA 1192	A52 2005	A50 2114	SA 2595	A10 6142
A50 287	A10 1202	A50 2006	A10 2116	A10 2649	
A50 298	A10 1215	A52 2006	A50 2117	SA 2701	
A50 302	A10 1224	A52 2007	SA 2118	SA 2782	

VP4 PUSH BUTTON DEFROST CONTROL

CAT. NO. 15154

This a usable replacement for

the following Ranco codes. It is also suitable for refrigerators not originally fitted with a Ranco control.

F20 100	F20 105	F20 110	F20 116	F50 122	F50 127
F50 100	F50 105	F50 110	F50 116	F20 123	F20 128
F20 101	F20 106	F20 111	F20 117	F50 123	F50 128
F50 101	F50 106	F50 111	F50 117	F20 124	F20 129
F20 102	F20 107	F20 112	F20 118	F50 124	F50 129
F50 102	F50 107	F20 113	F50 118	F20 125	F50 130
F20 103	F20 108	F50 113	F20 119	F50 125	F50 131
F50 103	F50 108	F20 114	F50 119	F20 126	F50 132
F20 104	F20 109	F20 115	F50 120	F50 126	F20 134
F50 104	F50 109	F50 115	F50 121	F20 127	F50 134

VP4 - Continued next Page

REFER TO PAGE 151 FOR FULL SPECIFICATIONS OF THE RANCO VaRafix ADAPTABLE CONTROLS

RANCO VARIFIX REPLACEMENT REFERENCE (CONT'D)

VP4 PUSH BUTTON DEFROST CONTROL (Continued)

CAT. NO.	15154
----------	-------

F20 135	F50 164	F50 199	F50 236	F21 702	F50 2021
F50 135	F50 165	F50 200	F50 237	F21 703	F50 2022
F50 136	F50 166	F50 201	F50 238	F21 704	F50 2023
F20 137	F50 167	F50 204	F50 239	F21 705	F50 2024
F50 137	F50 168	F50 205	F50 240	F21 706	F50 2027
F20 138	F50 169	F50 206	F50 242	F21 707	F50 2028
F50 138	F50 170	F50 207	F50 244	F21 708	F50 2029
F20 139	F50 171	F50 208	F50 245	F21 709	F50 2030
F50 139	F50 173	F50 209	F50 246	F21 710	F50 2031
F50 140	F50 174	F50 210	F50 247	F21 711	F50 2032
F50 141	F50 175	F50 211	F50 248	F21 712	F50 2034
F20 142	F50 176	F50 212	F50 400	F21 713	F50 2037
F50 142	F50 177	F50 213	F21 501	F21 714	F50 2038
F50 144	F50 179	F50 214	F21 502	F21 715	F50 2039
F50 146	F50 180	F50 215	F21 503	F21 716	F50 2040
F50 147	F50 181	F50 216	F21 504	F50 2000	F50 2043
F50 148	F50 182	F50 217	F21 505	F50 2001	F50 2045
F50 149	F50 183	F50 218	F21 506	F50 2002	F50 2070
F50 150	F50 184	F50 219	F21 507	F50 2003	F50 2072
F50 151	F50 185	F50 221	F21 508	F50 2004	F50 2073
F50 152	F50 186	F50 222	F21 509	F50 2005	F50 2074
F50 153	F50 187	F50 223	F21 510	F50 2006	F50 2075
F50 154	F50 188	F50 225	F21 511	F50 2007	F50 2076
F50 155	F50 189	F50 227	F21 512	F50 2008	F50 2077
F50 156	F50 190	F50 228	F21 513	F50 2009	F50 2078
F50 157	F50 191	F50 229	F21 514	F50 2010	F50 2154
F50 158	F50 192	F50 230	F21 515	F50 2011	F50 3005
F50 159	F50 193	F50 231	F21 516	F50 2014	
F50 160	F50 194	F50 232	F21 517	F50 2015	
F50 161	F50 196	F50 233	F21 518	F50 2016	
F50 162	F50 197	F50 234	F21 700	F50 2019	
F50 163	F50 198	F50 235	F21 701	F50 2020	

VS5 STANDARD SIGNAL CONTROL

CAT. NO.	15155
----------	-------

This is a usable replacement for

the following Ranco codes. It is also suitable for cabinets not originally fitted with a Ranco control.

A54 100	A53 116	SA 2587	A54 2922	A10 3544	A10 3832
A54 101	A54 116	SA 2588	A54 2923	A10 3545	A10 3833
A53 102	A54 117	SA 2589	A54 2924	SA 3549	A10 3834
A54 102	A54 118	SA 2595	A54 2925	A10 3751	A10 3907
A54 103	A54 119	SA 2699	A54 2926	A10 3758	A10 3911
A54 104	A54 120	SA 2782	A54 2927	A10 3761	A10 3913
A53 105	A54 122	SA 2783	A54 2928	A10 3762	A10 3915
A54 105	A54 123	A54 2900	A10 3502	A10 3763	A10 3916
A54 106	A54 124	A54 2901	A10 3503	A10 3766	A10 3917
A54 108	SA 2500	A54 2902	A10 3513	A10 3780	A10 3918
A53 109	SA 2501	A54 2903	SA 3516	A10 3815	A10 3919
A54 109	SA 2512	A54 2907	A10 3523	A10 3817	A10 3923
A54 110	SA 2513	A54 2908	A10 3524	A10 3822	A10 3925
A54 111	SA 2517	A54 2910	A10 3526	A10 3823	A10 3928
A54 112	SA 2520	A54 2912	SA 3528	A10 3825	A10 3929
A54 113	SA 2522	A54 2914	SA 3532	A10 3826	A10 3930
A54 114	A10 2525	A54 2916	A10 3536	A10 3829	A10 3935
A53 115	SA 2538	A54 2917	SA 3541	A10 3830	A10 3938
A54 115	A10 2538	A54 2919	A10 3543	A10 3831	

Continued Next Page

REFER TO PAGE 151 FOR FULL SPECIFICATIONS OF THE RANCO VaRafix ADAPTABLE CONTROLS

IF IT IS NOT LISTED IN THIS CATALOGUE — ASK US ANYWAY
WE HAVE MANY ITEMS AND ACCESSORIES, TOO NUMEROUS TO LIST
WE CAN PROBABLY HELP YOU

RANCO VARIFIX REPLACEMENT REFERENCE (CONT'D)

VR6 REVERSE SIGNAL CONTROL

CAT. NO. 15156

This is a usable replacement for

the following Ranco codes. It is also suitable for cabinets not originally fitted with a Ranco control.

A53 100	SA 2516	A10 3520	A10 3756	A54 7003	A54 8216
A53 101	SA 2518	A10 3521	A10 3757	A54 7004	A54 8217
A53 103	SA 2519	A10 3625	A10 3759	A54 8200	A54 8218
A53 104	SA 2523	A10 3535	A10 3760	A54 8201	A54 8219
A53 108	SA 2524	A10 3537	A10 3764	A54 8202	A54 8223
A53 110	A10 2556	A10 3538	A10 3781	A54 8203	A54 8224
A53 111	A10 2900	SA 3539	A10 3792	A54 8204	A54 8225
A53 112	SA 2906	SA 3540	A10 3818	A54 8205	A54 8227
A53 113	SA 2950	SA 3542	A10 3821	A54 8206	A54 8228
A53 114	A10 3501	SA 3546	A10 3922	A54 8207	A54 8229
A53 117	A10 3504	SA 3547	A10 3932	A54 8209	
A53 118	A10 3505	A10 3548	A10 3934	A54 8210	
SA 516	A10 3508	SA 3752	A54 7000	A54 8211	
SA 2501	A10 3518	A10 3753	A54 7001	A54 8212	
SA 2515	A10 3519	A10 3754	A54 7002	A54 8214	

VB7 BOTTLE AND BEVERAGE COOLER CONTROL

CAT. NO. 15157

This is a usable

replacement for the following Ranco codes. It is also suitable for units not originally fitted with a Ranco control.

A52 108	A50 550	A10 1226	A10 1379	A10 1537	A50 2302
A52 118	A50 560	A10 1230	A10 1454	A10 1764	A10 2473
A52 141	A50 571	A10 1246	A10 1460	A10 1879	A10 2474
A52 148	A50 592	A10 1247	A10 1463	A50 2007	A10 2475
A52 149	A50 595	A10 1249	A10 1465	A50 2008	A10 2479
A50 154	A50 602	A10 1301	A10 1471	A10 2012	SA 2522
A50 165	A50 PO612	A10 1302	A10 1477	A50 2045	A10 5203
A52 167	SA 963	SA 1307	A10 1481	A50 2051	A10 6114
A52 169	A50 1000	A10 1310	A10 1488	A10 2084	A10 6117
A52 181	SA 1040	A10 1314	SA 1501	A10 2103	A10 6119
A50 205	A10 1160	A10 1354	A10 1501	A50 2128	A10 6126
A50 245	A10 1196	A10 1367	SA 1502	A50 2135	A10 6132
A50 320	A10 1198	A10 1369	A10 1502	A10 2172	A10 6145
A50 540	A10 1209	A10 1373	SA 1510	A50 2295	A10 6149

WV8 WINDOW AIR CONDITIONER CONTROL

CAT. NO. 15158

This is a usable

replacement for the following Ranco codes. It is also suitable for units not originally fitted with a Ranco control.

A52 124	A13 134	A52 170	SA 976	A10 1325	A10 1999
A52 131	A52 137	A52 178	A10 1315	A10 1451	A55 2018
A52 132	A52 162	A13 302	A10 1324	SA 1596	A55 7006
A52 133	A52 165				

VT9 TWO-TEMPERATURE REFRIGERATION CONTROL

CAT. NO. 15159

This is a usable

replacement for the following Ranco codes. It is also suitable for refrigerators not originally fitted with a Ranco control.

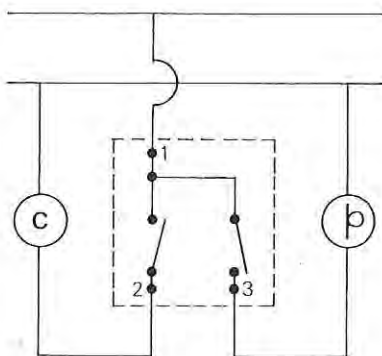
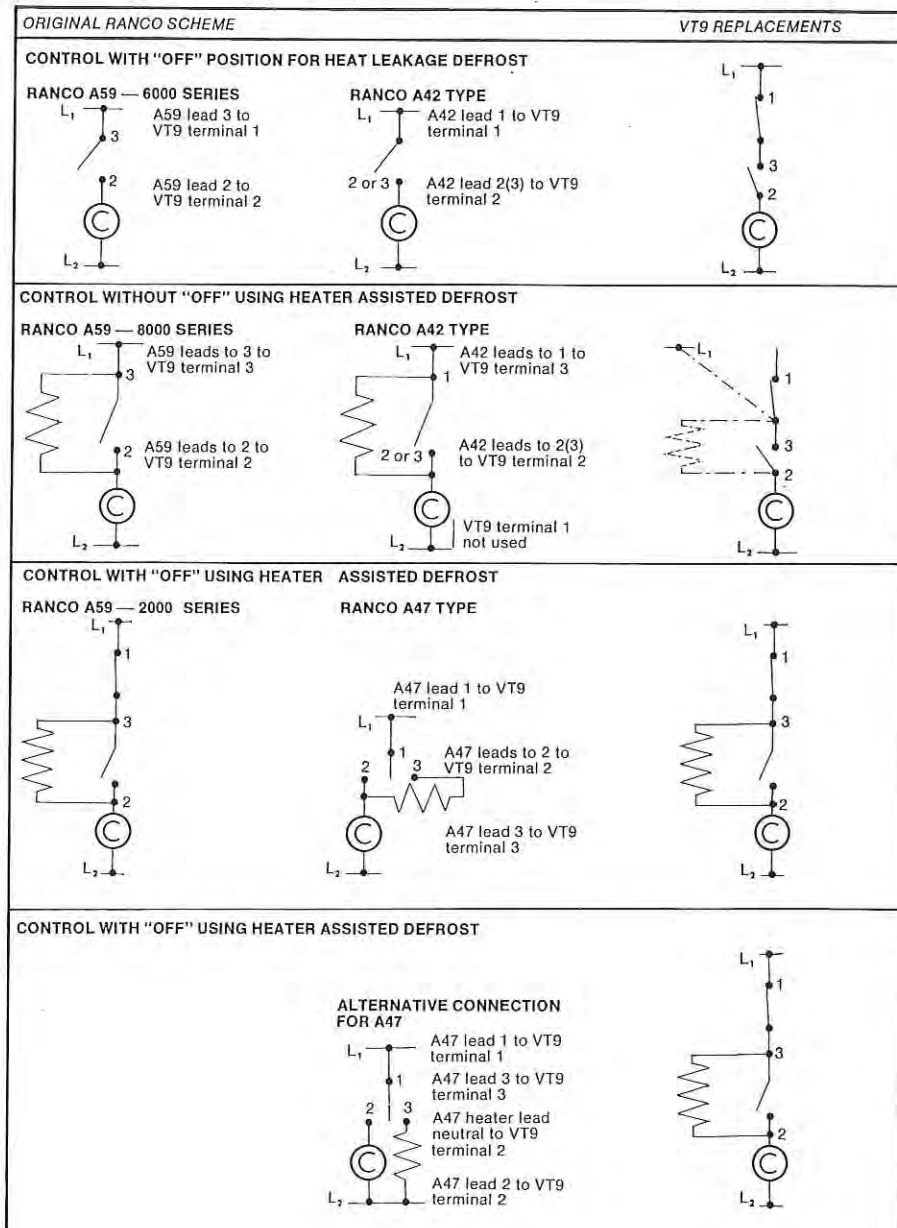
A59 106	A42 1011	A42 1032	A42 4050	A42 4107	A59 6005
A59 107	A47 1011	A47 1032	A42 4054	A42 4109	A59 6006
A59 108	A47 1012	A47 1035	A42 4056	A42 4110	A59 6007
A59 109	A42 1013	A59 2000	A42 4057	A42 4111	A59 6008
A59 110	A47 1013	A59 2001	A42 4060	A42 4114	A59 6009
A59 111	A47 1014	A59 2004	A42 4062	A42 4119	A59 6010
A59 112	A59 1014	A59 2006	A42 4063	A42 4120	A59 6011
A59 116	A42 1015	A59 2007	A42 4064	A42 4121	A59 8600
A59 125	A47 1015	A59 2008	A42 4065	A42 4122	A59 8601
A47 1002	A59 1015	A59 2009	A42 4068	A42 4124	A59 8602
A47 1003	A42 1016	A59 2010	A42 4069	A42 4146	A59 8603
A47 1004	A47 1016	A42 4007	A42 4078	A42 4160	A59 8604
A59 1004	A42 1017	A42 4015	A42 4080	A42 4161	A59 8605
A42 1005	A47 1017	A42 4022	A42 4084	A42 4162	A59 8606
A59 1005	A42 1018	A42 4023	A42 4093	A42 4163	A59 8607
A42 1006	A47 1018	A42 4024	A42 4096	A42 4164	A59 8608
A47 1006	A42 1019	A42 4030	A42 4101	A42 4165	A59 8609
A47 1008	A47 1019	A42 4036	A42 4102	A42 4167	
A47 1009	A59 1021	A42 4037	A42 4103	A59 6000	
A42 1010	A42 1025	A42 4047	A42 4105	A59 6003	

REFER TO PAGE 151 FOR FULL SPECIFICATIONS OF THE RANCO VaRafix ADAPTABLE CONTROLS

RANCO VARIFIX REPLACEMENT REFERENCE (CONT'D)

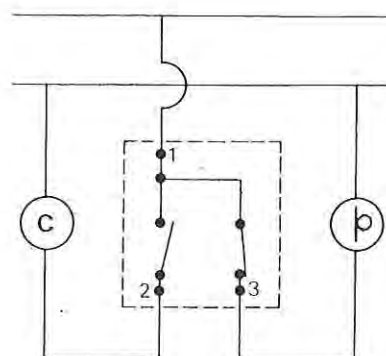
VT9 REPLACEMENT FOR TWO-TEMPERATURE DOMESTIC REFRIGERATORS

Circuit Options



WIRING DIAGRAM FOR VS 5

Signal circuit normally open.



WIRING DIAGRAM FOR VR 6

Signal circuit normally closed.

REFER TO PAGE 151 FOR FULL SPECIFICATIONS OF THE RANCO VaRafix ADAPTABLE CONTROLS



Service thermostats with built-in reliability for all refrigerator types

8 THERMOSTATS WILL DO...

Eight service kits from Danfoss are enough for thermostat service of all refrigerator types. The service thermostats and the necessary accessories are packed in practical blister packs with illustration of the contents, wiring diagram and application range.

All the service thermostats have a greater regulation range than standard thermostats. Therefore you can always service all refrigerator types, regardless of make.

The differentials of the service thermostats ensure sufficient standstill time, so any risk of damage to the compressors is eliminated.

All thermostats have a normal function i.e. they make the electrical circuit at a rise in temperature and break at a drop in temperature. In the '0' position the main switch, as well as any auxiliary switch, is cut-out.

**Service Kit No. 1.
REFRIGERATORS**

Thermostat with normal function for conventional refrigerators.

**Service Kit No. 2.
REFRIGERATORS WITH PUSHBUTTON DEFROST**

Thermostat with normal function and semi-automatic defrost function which is started manually and stops automatically after defrosting.

**Service Kit No. 3.
REFRIGERATORS WITH AUTOMATIC DEFROST**

Thermostat with constant cut-in temperature (+3.5°C) for automatic defrost. The thermostat is equipped with an auxiliary switch which can, for example, cut out a defrost heating element when knob is turned to the '0' position.

**Service Kit No. 4.
ABSORPTION REFRIGERATORS**

Thermostat with normal function and auxiliary switch which is cut-out when the knob is turned to the '0' position — the necessary functions for absorption cabinets with two heating elements.

**Service Kit No. 5.
FREEZERS WITHOUT SIGNAL**

Thermostat with normal function. Can also be used for ice-cream cabinets.

**Service Kit No. 6.
CHEST FREEZERS WITH SIGNAL**

Thermostat with normal function and signal function which is activated at too high cabinet temperatures. Active and/or passive signals. Can also be used for ice-cream cabinets.

**Service Kit No. 7.
UPRIGHT FREEZERS WITH SIGNAL**

Thermostat with normal function and signal function which is activated at too high cabinet temperatures. Active and/or passive signals.

**Service Kit No. 8.
BOTTLE AND LIQUID COOLERS**

Thermostat with normal function. Can also be used in refrigerated vending machines.

SPECIFICATION DATA

CAT. NO.	Service Kit No.	Code No.	TEMPERATURES °C				ACCESSORIES						Cap. Tube Length m	Remarks	
			Warm Position Cut-In/Cut-Out	Cold Position Cut-In/Cut-Out	Signal	Defrosting	Big Knob	Small Knob	Push-Button	Mtg. Bracket	Seal Cap	Small Parts			
1512	1	90B7009	+2.5/-5	-13.5/-25			X	X			X		X	1.2	
1513	2	90B7041	0/-7.5	-11.5/-22		+6	X	X	X	X			X	1.2	
1514	3	90B7061	+3.5/-11	+3.5/-27			X	X			X		X	1.2	With auxiliary switch
1515	4	90B7020	+3.5/-1	-5/-11			X	X			X		X	1.5	With auxiliary switch
1516	5	90B7010	-7.5/-15	-21/-32.5				X		X	X		X	2.0	
1517	6	90B7033	-7.5/-15	-21/-32.5	-16			X		X	X		X	2.0	Signal with change-over switch
1518	7	90B7034	-13/-18	-23/-30	-18			X		X	X		X	2.0	Signal with change-over switch
1519	8	90B7011	+11.5/+6	-0.5/-8			X	X		X	X		X	2.0	

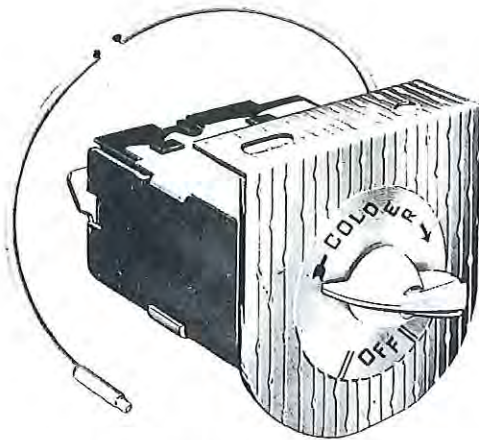
NOTES

1

WE CAN HANDLE YOUR ORDERS AS FAST AND AS CAREFULLY AS WE CAN
WE TRY TO GIVE YOU THE VERY BEST SERVICE

RANCO DOMESTIC THERMOSTAT REPLACEMENTS

TYPE A10



TYPE A10-6010

The 'A10' is generally used in temperature ranges from a low of -40°C (-40°F) on freezer cabinets, to a high of 40.6°C (105°F) on air conditioning units, with adjustable differentials from 2.8°C (5°F) (on short ranges), to 13.9°C (25°F) (on all ranges) according to the control construction.

The single pole single throw, snap-acting toggle switch CLOSES on temperature RISE from the action of the temperature responsive power element at the COLDEST point of either the capillary tube end (as a bulb), or a solid or wound $3/8''$ diam. bulb.

The Type A10-6010 Automotive Air Conditioning controls have been designed to replace clutch-cycling controls on most hang-on type and under-dash mounted air conditioners.

This replacement control is a fin temperature sensing device, therefore at least 76mm (3") of the capillary tubing of the control should be inserted between the fins of the evaporator coil at the coldest point of the coil to ensure proper operation of the control.

TYPE A22

The SPDT switch and high electrical rating makes the Type A22 control suitable for a variety of applications. Among them are :

1. As a cycling control for Heat Pumps with manual selection of heating and cooling functions.
2. Two speed Condenser Fan control.
3. Two step electrical resistance heater.

A22-1000 series has a wide differential - 3.9°C min. to 16.7°C max. (7°F min. to 30°F max.).

A22-2000 series is a narrow differential control - 2.2°C (4°F).

SWITCH TERMINALS :

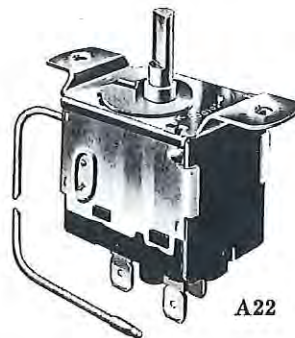
No.1 and No.2 CLOSE on DROP of temperature.

No.3 and No.2 CLOSE on RISE of temperature.

Terminal No.2 is common.

No RANGE adjustment is available on the control, however, limited altitude correction can be made, using the RANGE screw, located behind the end cover.

The adjustment is limited to $1/2$ turn clockwise. This raises the "cut-out" and "cut-in" points approx. 2.2°C (4°F). A maximum 11.1°C (20°F) range may be obtained with narrow differential applications.

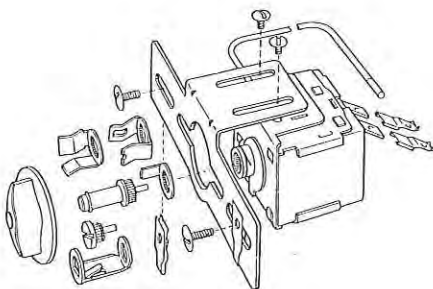


A22

DIFFERENTIAL screw adjustment, located in the insulator block, is for factory calibration use only, and is NOT to be adjusted in the field.

DIAL SHAFT ADJUSTMENT : The knob, attached to the dial shaft changes the "cut-out" and "cut-in" settings simultaneously, turning clockwise for Colder, or counter-clockwise for Warmer operation.

TYPE A30



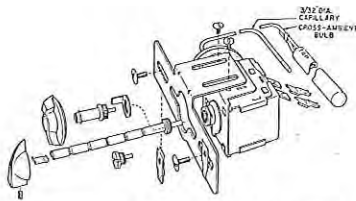
TYPE A30 ADAPTABLE REPLACEMENT FOR HOUSEHOLD REFRIGERATORS, WATER COOLERS, BEVERAGE COOLERS, FREEZER CABINETS, ICE CREAM CABINETS AND AIR CONDITIONERS

The "A30" Adaptable control is designed to replace many varieties of original equipment applications. Mounting is adjustable from $1-3/32''$ to $3-25/32''$ hole centres plus adjustable height. Various dial shafts, drivers, and terminals are provided to meet most applications.

ORDERING PROCEDURE : REFER TO PAGE 152 AND QUOTE CATALOGUE NO. OF ITEM REQUIRED

RANCO DOMESTIC THERMOSTAT REPLACEMENTS

TYPE A33



ADAPTABLE 'A33' REPLACEMENT

The 'A33' is a variation of the basic 'A10' control with a special power element for a narrow fixed differential. It is supplied with an adaptable mounting bracket and a parts package which allows the control to be adapted to a variety of mounting situations.

Mounting hole centres are adjustable from 1-1/32" to 3-25/32". The bracket may also be adjusted up to 7/8" vertically from the face of the control. **DIAL ROTATION :** Rotating the dial shaft changes both the "cut-out" and "cut-in" settings simultaneously.

The SPST snap acting toggle switch closes on temperature rise. It is actuated by a vapor-pressure fill power element that is responsive to the coldest point along the capillary or the bellows.

TYPE C12

The C12-5000 series will perform one of two functions : **Cooling only** or **heating only** with changeover by a manual selector switch. The switch is basically a SPDT snap-acting toggle type. Normally closed contacts are toggled open on drop in temperature.

FIELD ADJUSTMENT IS NOT RECOMMENDED on the Range and Differential screws. However, there is a dial adjustment for a wide temperature range selection from 15.6 to 36.7°C (60 to 98°F) in a clockwise direction from "warm" to "cold" positions. The differential is fixed at a minimum of 1.7°C (3°F).

The bulb of the liquid filled power element is the controlling point regardless of the temperature at the bellows and capillary tubing. Ambient temperatures have an effect on the switch operation of the C12 control. 26.7°C (80°F) is the selected ambient temperature point used by the factory on control calibration. A change in ambient temperatures above or below 26.7°C (80°F) will shift the setting slightly lower or higher respectively.

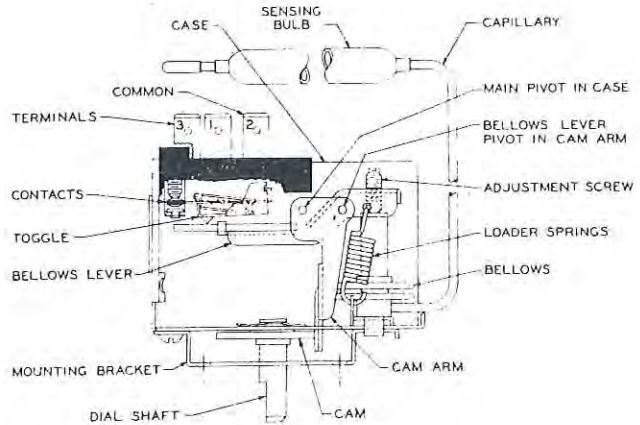
The C12-8000 series features a dial-within-a-dial arrangement with a cycling control and a rotary selector switch for cooling applications on an Air Conditioning unit.

Both control and rotary switch operate independently having a separate dial knob for each. The outer shaft is hollow for the rotary switch, and the inner shaft is solid for control operation.

Specifications and operation of the temperature control are the same as the C12-5000 series.

The dial knob on the hollow dial shaft rotates the selector switch to positions on the dial. Each switch has a "centre-off" position. There are 4, 6, or 8 standard selector positions on a 360° dial.

CROSS SECTION OF C12-5010 CONTROL



TYPE C17

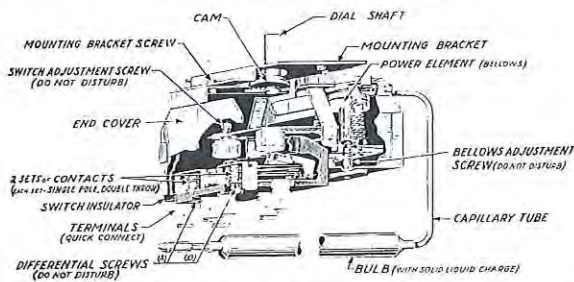
The C17 controls are for Air Conditioning applications. Field adjustment is not generally recommended for any of the Series C17 Controls.

The **SERIES C17-100** is a standard cycling control with two electrically separate switches for automatic change-over on heat pumps.

This control completes two electrical circuits in response to temperature changes for either automatic change-over on heat-cool cycling or on **two-stage operations**.

The **SERIES C17-300** is the same as the C17-100, except one switch may be adjusted to cycle within the "cut-out" and "cut-in" events of the other (differential within a differential). The **SERIES C17-8000** control features a dial-within-a-dial arrangement with a rotary switch added to a standard cycling C17-100 series temperature control.

SECTION VIEW OF C17-100



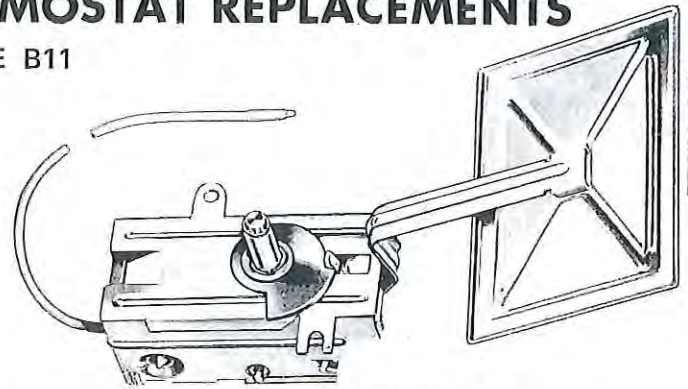
TYPE	RANGE °C (°F)	DIFF. °C (°F)	CAPILL. LENGTH mm (ins)	SHAFT LENGTH INS	SWITCHING SEQUENCE					
					SWITCH 'A'			SWITCH 'B'		
					TERMS.	CUT-OUT °C (°F)	CUT-IN °C (°F)	TERMS.	CUT-IN °C (°F)	CUT-OUT °C (°F)
C17 - 140	16.7 (30)	2 (3½)	660 (26)	5/8	2 & 3	19.7 (67½)	17.8 (64)	4 & 5	21.7 (71)	19.7 (67½)
C17 - 182	12.8 (23)	2 (3½)	914 (36)	1-1/16	2 & 3	18.6 (65½)	16.7 (62)	4 & 5	20.6 (69)	18.6 (65½)
C17 - 192	7.8 (14)	2 (3½)	660 (26)	2-7/32	2 & 3	19.2 (66½)	17.2 (63)	4 & 5	21.1 (70)	19.2 (66½)
C17 - 221	9.2 (16½)	2.2 (4)	317 (12½)	29/32	2 & 3	20.6 (69)	18.3 (65)	4 & 5	21.7 (71)	19.4 (67)
C17 - 308	9.4 (17)	2 (3½)	660 (26)	2-7/32	2 & 1	18.3 (65)	20.3 (68½)	4 & 5	21.1 (70)	17.5 (63½)
C17 - 316	9.4 (17)	2 (3½)	914 (36)	7/8	2 & 1	18.3 (65)	20.3 (68½)	4 & 5	21.1 (70)	17.5 (63½)
C17 - 503	9.4 (17)	3.6 (6½)	1524 (60)	25/32	2 & 1	17 (62½)	18.9 (66)	4 & 5	19.7 (67½)	16.1 (61)
C17 - 8004	9.2 (16½)	2.2 (4)	457 (18)	1/2	2 & 3	20.6 (69)	18.3 (65)	4 & 5	21.7 (71)	19.4 (67)

ORDERING PROCEDURE : REFER TO PAGE 152 AND QUOTE CATALOGUE NO. OF ITEM REQUIRED

RANCO DOMESTIC THERMOSTAT REPLACEMENTS

TYPE B11

The Type "B11" Baffle Control (non-electric) is designed to control the compartment temperature of a forced draft type refrigerator by modulating the flow of cold air entering the compartment from the air supply duct. A change in compartment temperature modulates the baffle plate, increasing or decreasing air supply.



1

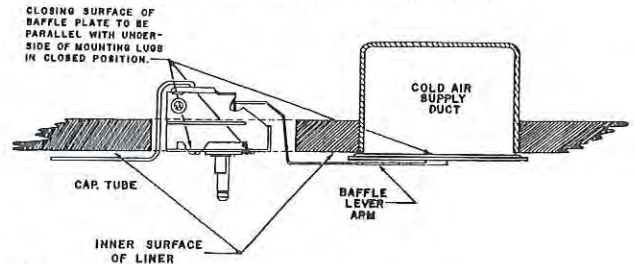
INSTALLATION

Install and position so that the baffle plate is aligned with the air supply duct opening; the baffle itself is self-aligning due to its swivel action mounting to the baffle cam. The temperature change from maximum open to closed position is 3.3°C (6°F).

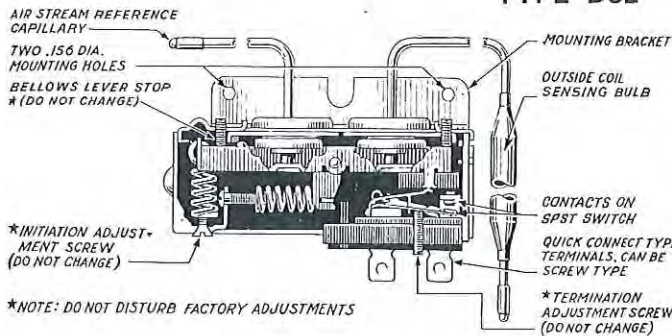
Static air pressure in the air duct will slightly affect the closed position. In order to effect a reclosing of the baffle after an air pressure increase of .01" w.g. has opened it, a temperature decrease of approximately 0.6°C (0.1°F) must take place.

Barometric pressure changes affect the control to the extent that the device will shift setting approximately 0.3°C (0.5°F) per inch of mercury, or per 1000 feet of altitude. Ambient temperature variations do not affect the control setting.

CROSS SECTION VIEW SHOWING CONTROL MOUNTING



TYPE D52



NOTES

Section View of the D52 with parts and assemblies identified. D50 is SPST.

The switch is shown in the DE-ICING PHASE with the normally closed contacts (# 2 and # 3) open.

The D52 control is designed to operate over the AMBIENT or REFERENCE temperature range of 40° to 100°F.

TYPE D62

The D62 controls are designed for refrigeration and air conditioning where a relatively wide differential and fixed setting (no range) are required. A typical application would be the defrosting of an air conditioning evaporator. Other applications are:

- (a) Evaporator Defrost Control (without defrost heater)
- (b) Evaporator Defrost Control (with defrost heater)
- (c) Suction Line Temperature Control
- (d) Control of Auxiliary Heaters in Heat Pumps
- (e) Heat Boost Control during De-icing in Heat Pumps

OPERATION

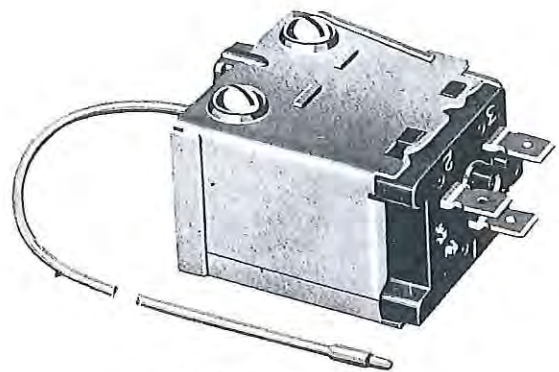
The motion of the bellows is transferred directly to the toggle mechanism to operate the switch. There is no dial shaft adjustment on the D62.

Temperature Characteristics:

Operating temperature limits are -40°C (-40°F) (Lowest "cut-out") and +49°C (+120°F) (Highest "cut-in"), not in the same control.

Differentials are 11.1°C (20°F) (Minimum) to 4.4°C (40°F) (Maximum), not in one control.

Switch action is SPDT. The circuit closes on decrease in temperature to terminals No. 1 & No. 2 (opens on increase) and closes on increase to terminals No. 2 & No. 3 (opens on decrease). Either No. 1 or No. 3 terminal may be removed for SPST action.

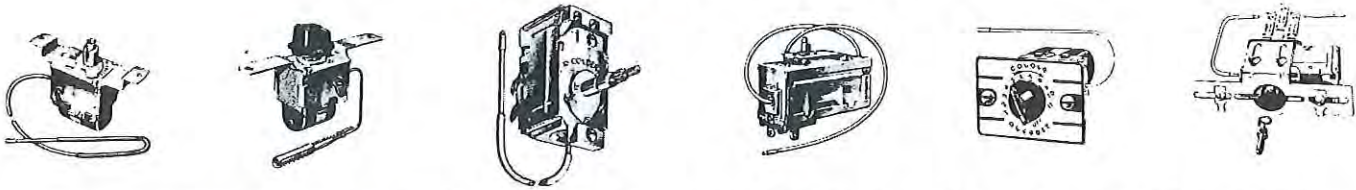


TYPE D62 CONTROL

TYPE	NORMAL CUT - OUT		NORMAL CUT - IN		CAPILLARY LENGTH mm	USER & PART NO.
	°C	°F	°C	°F		
D62 - 4330	-5.6	22	5.6	42	1200	Servex 4059 - 128 - 01
D62 - 4331	-5.6	22	5.6	42	600	Kelv. KA 24452
D62 - 4332	-5.6	22	5.6	42	600	Kelv. KA 35658
D62 - 4333	-3.3	26	7.8	46	600	Kelv. KA 44156
D62 - 4334	+2.2	36	15.6	60	600	Email 247 - 102 - 0042
D62 - 4502	-5.6	22	5.6	42	600	General.

ORDERING PROCEDURE : REFER TO PAGE 152 AND QUOTE CATALOGUE NO. OF ITEM REQUIRED

RANCO DOMESTIC THERMOSTATS REPLACEMENT CHARTS



REPLACEMENT CONTROLS FOR DOMESTIC REFRIGERATORS & FREEZERS

GUIDE TO CORRECT SELECTION OF REPLACEMENT CONTROLS

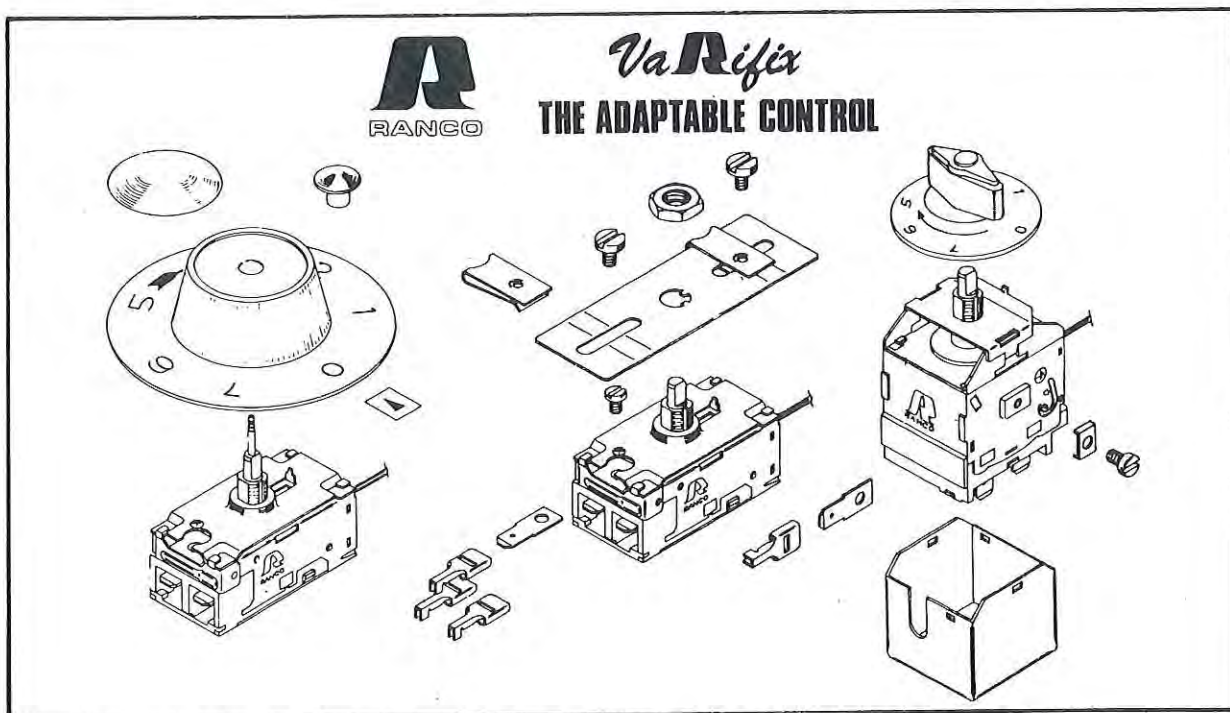
The Replacement Charts on the following pages show Manufacturers Original Part No. and Original RANCO Control fitted. If Original Control is not available, refer to the other two columns listing a "Functional Replacement Control" or an "Adaptable (VaRifix) Replacement Control".

FUNCTIONAL REPLACEMENT : These are coded controls which may be an identical code to the original control, in which case it would be an exact replacement, or it will be a similar code indicating a control having only minor differences to the original.

ADAPTABLE REPLACEMENT : Is used to replace those controls no longer available; controls on long delivery times, particularly imported controls and other brands of controls. Nine VaRifix controls are available from which to select.

ORDERING CATALOGUE NO's for the Controls listed in the Charts are :-
 VaRifix Adaptable Controls — Page 151
 Other Controls — Page 152

Specifications for A50, A59, SA, SAM, F50 & F56 Series Thermostats — Refer Tech. Pages 152-p thru 152-u
 Replacement Thermostats for Kelvinator, Leonard & HMV — Refer Tech. Pages 152-v, w, x.



NOTE : Where a Functional or Adaptable replacement is fitted to an appliance and detracts from its appearance or operation by way of mechanical fitting or use of standard knobs supplied with the control, Actrol Parts accepts no liability for any customer complaint or action as a result of fitting such replacement.



RANCO DOMESTIC THERMOSTATS REPLACEMENT CHARTS

REPLACEMENT CONTROLS FOR DOMESTIC REFRIGERATORS & FREEZERS

REFRIGERATOR/FREEZER MODEL	ORIGINAL CONTROL		RANCO	
	MANUFACTURER'S PART NO.	SUPPLIER'S PART NO.	FUNCTIONAL REPLACEMENT CONTROL	ADAPTABLE REPLACEMENT CONTROL

ASTOR

ASTOR

1963 AFD, AFD/D, AFD/P, AFE, AFP, CS11			A50 - 5106	VC 1
AFJ, AFK, AFK/M, AFK/W, AFJ/A, AFM, CA11/W	4085 - 111 - 03	SA 1217	A50 - 5106	VC 1
BDA, BDC	4085 - 083 - 14	A19 - 127	A59 - 8807	VT 9
1964 AFL, AFL P, AFP/DJ, AFP/MF	4085 - 111 - 03	SA 1217	A50 - 5106	VC 1
AFK/P, AFM/DJ, AFM/P, AFM/RD, AFQ/MF, AFS, AFS/RD	4085 - 111 - 03	SA 1217	A50 - 5106	VC 1
AJB, AJB/A	4085 - 111 - 04	SA 1262	A50 - 5106	VC 1
AJA, AJA/A	4085 - 111 - 04	SA 1262	A50 - 5103	VC 1
AR31D, AR31D/A, AR31D/P, AR31DA/RS	4085 - 083 - 14	A19 - 127	A59 - 8807	VT 9
AR41S	4085 - 111 - 04	SA 1262	A50 - 5106	VC 1
AR41A	4085 - 111 - 04	SA 1262	A50 - 5103	VC 1
1965 AF11S	4061 - 010 - 01	A30 - 1017	A30 - 1017	
AR11P-A, AR11P-B, AR12P, PR109P	4061 - 006 - 01	F14 - 168	F14 - 203	
AR12S, AFL/A, AFL/B, AFP/C, AFP/C-P, AFP/C-S, AFP/SJ, PR99S, PR99S-C	4085 - 111 - 03	SA 1217	A50 - 5106	VC 1
AR12A, AFM/B, PR119A, AFQ/DJ	4085 - 111 - 03	SA 1217	A50 - 5106	VC 1
AJB-B, AJB-B/A	4085 - 111 - 04	SA 1262	A50 - 5106	VC 1
AJB-A	4085 - 111 - 04	SA 1262	A50 - 5103	VC 1
AR210-B	4085 - 083 - 14	A19 - 127	A59 - 8807	VT 9
AR31D/B, AR31D/J	4085 - 083 - 14	A19 - 127	A59 - 8807	VT 9
AR41S/B	4085 - 111 - 04	SA 1262	A50 - 5106	VC 1
AR41A/B	4085 - 111 - 04	SA 1262	A50 - 5103	VC 1
1966 AF14S	4061 - 010 - 01	A30 - 1017	A30 - 1017	
AR14P	4061 - 006 - 01	F14 - 168	F14 - 203	
AFA/A, AFP/C-DJ, AFP/DA, AFP/DA-DJ, PR11S	4085 - 111 - 03	SA 1217	A50 - 5106	VC 1
PR11A	4085 - 111 - 04	SA 1262	A50 - 5106	VC 1
AR24S, PR119S	4085 - 111 - 04	SA 1262	A50 - 5106	VC 1
AR24A, PR12A	4085 - 111 - 04	SA 1262	A50 - 5103	VC 1
AR34D, AR34DJ, AR34DP	4085 - 083 - 14	A19 - 127	A59 - 8807	VT 9
AR44A	4085 - 111 - 04	SA 1262	A50 - 5103	VC 1
AR44D	4085 - 083 - 14	A19 - 127	A59 - 8807	VT 9
AR54D, AR54DL	4085 - 083 - 14	A19 - 127	A59 - 8807	VT 9
1967 AF15S, AFP11	4061 - 010 - 01	A30 - 1017	A30 - 1017	
AF35S	4061 - 010 - 03	A30 - 1026	A30 - 1026	
AF15FF	4061 - 010 - 02	A30 - 1025	A30 - 1025	
AF35FF	4061 - 010 - 05		A30 - 1026	
ARO5S, APS10S	4085 - 111 - 03	SA 1217	A50 - 5105	VC 1
APS10-A			A50 - 5106	VC 1
AR15S, AR15S-A, AHG11S, AMB11S	4085 - 111 - 03	SA 1217	A50 - 5106	VC 1
AMS11S-DJ, APS11S, AL15S, AFP/D, AFP/D-DA, AFP/D-MP, AFP/G, AFP/PS, AFP/MS	4085 - 111 - 09	SA 1273	A50 - 5106	VC 1
AR15A, AR15A A, APS11A, AMS11A	4085 - 111 - 03	SA 1217	A50 - 5106	VC 1
	4085 - 111 - 09	SA 1273		
AR25S, AL25S, ADN12S	4085 - 111 - 08	SA 1270	A50 - 5106	VC 1
	4085 - 111 - 04	SA 1262		
AR25A, AR25A-A, APS12A	4085 - 111 - 08	SA 1270	A50 - 5103	VC 1
AR35D, AR35D DJ	4085 - 083 - 14	A19 - 127	A59 - 8807	VT 9
AR45S, APS14S	4085 - 111 - 08	SA 1270	A50 - 5106	VC 1
AR45A, APS14A, AMS14A	4085 - 111 - 08	SA 1270	A50 - 5103	VC 1
AR45D	4085 - 083 - 14	A19 - 127	A59 - 8807	VT 9
AR55D, APS15D, AHG15D	4085 - 083 - 14	A19 - 127	A59 - 8807	VT 9
AR55DF, ADJ15DF, APS15DF, AHG15DF, AR55DF/A, AR55DF/DJ	4061 - 018 - 02	A11 - 601	SA11 - 416	
1968 FB711, FB712	4061 - 010 - 01	A30 - 1017	A30 - 1017	
FB727, FB713, FB728, FB714	4061 - 010 - 03	A30 - 1026	A30 - 1026	
FB715, FB716	4061 - 010 - 02	A30 - 1025	A30 - 1025	
FB717, FB718	4061 - 010 - 05		A30 - 1026	

RANCO DOMESTIC THERMOSTATS REPLACEMENT CHARTS



REPLACEMENT CONTROLS FOR DOMESTIC REFRIGERATORS & FREEZERS (Continued)

REFRIGERATOR/FREEZER MODEL	ORIGINAL CONTROL		RANCO	
	MANUFACTURER'S PART NO.	SUPPLIER'S PART NO.	FUNCTIONAL REPLACEMENT CONTROL	ADAPTABLE REPLACEMENT CONTROL

ASTOR

(Continued)

ASTOR

1968 (Continued) RB611, RB621S	4085 - 111 - 03	SA 1217	A50 - 5105	VC 1
RB613, RB635, RB614, RB623, RB627, LP11S, SP11S	4085 - 111 - 09	SA 1273	A50 - 5106	VC 1
RB615, RB616, RB633, SP11A	4085 - 111 - 09	SA 1273	A50 - 5106	VC 1
RB811	4085 - 111 - 08	SA 1270	A50 - 5106	VC 1
RB815, RB821, RB816, RB823, SP12A	4085 - 111 - 08	SA 1270	A50 - 5103	VC 1
RB831	4085 - 111 - 08	SA 1270	A50 - 5106	VC 1
RB833, RB854, RB825, RB817, RB818, SP14A	4085 - 111 - 08	SA 1270	A50 - 5103	VC 1
RB507, RB508, RB521, RB531, RB53S	4085 - 083 - 14	A19 - 127	A59 - 8807	VT 9
RB501, RB502, RB529	4061 - 014 - 02 4061 - 018 - 02	B11 - 120 A11 - 601	SA11 - 416	
1969 FD721, FD732, RD722	4061 - 010 - 01	A30 - 1017	A30 - 1017	
FD723D, FD723B	4061 - 010 - 03	A30 - 1026	A30 - 1026	
FD725, FD726	4061 - 010 - 02	A30 - 1025	A30 - 1025	
FD735, FD736	4061 - 010 - 05		A30 - 1026	
RD621			A50 - 5105	VC 1
RD641/642, RD651B, RD651W	4085 - 111 - 09	SA 1273	A50 - 5106	VC 1
RD643, RD645, RD655	4085 - 111 - 09	SA 1273	A50 - 5106	VC 1
RD851, RD852W, RD861, RD855, RD856	4085 - 111 - 08	SA 1270	A50 - 5103	VC 1
RD863, RD854W	4085 - 111 - 08	SA 1270	A50 - 5103	VC 1
RD543	4085 - 083 - 14	A19 - 127	A59 - 8807	VT 9
RD541, RD542, RD551	4061 - 014 - 02 4061 - 018 - 02	B11 - 120 A11 - 601	SA11 - 416	
1970/1971 FE111S(741), FE112S(742)	4061 - 010 - 01	A30 - 1017	A30 - 1017	
FE131S, FE132S	4061 - 010 - 03	A30 - 1026	A30 - 1026	
RE101S(659), RE107S(DJ), RE617(DJ)	4061 - 088 - 01	A50 - 5105	A50 - 5105	VC 1
RE111S(661), RE117S(DJ), RE112S, RE639	4061 - 035 - 01	A50 - 5106	A50 - 5106	VC 1
RE111A(665), RE112A, RE637	4061 - 035 - 01	A50 - 5106	A50 - 5106	VC 1
RE121A(897), RE122A, RE877(PPL)	4061 - 034 - 01	A50 - 5103	A50 - 5103	VC 1
RE131A(847), RE132A	4061 - 034 - 01	A50 - 5103	A50 - 5103	VC 1
RE135C(577), RE136C	4061 - 025 - 01	A59 - 8807	A59 - 8807	VT 9
RE149S	4061 - 035 - 01	A50 - 5106	A50 - 5106	VC 1
RE141A(857), RE142A, RE149A, RE879	4061 - 034 - 01	A50 - 5103	A50 - 5103	VC 1
RE155C(563), RE156C	4061 - 025 - 01	A59 - 8807	A59 - 8807	VT 9
RE151F(561), RE152F(562), RE553	4061 - 026 - 01	SA11 - 416	SA11 - 416	
1971 - 1973 FG111S, FG112S	4061 - 010 - 01	A30 - 1017	A30 - 1017	
FG131S, FG132S	4061 - 010 - 03	A30 - 1026	A30 - 1026	
RG101S, RG102S, RD101S	4061 - 088 - 01	A50 - 5105	A50 - 5105	VC 1
RG111S, RG112S, RD111S	4061 - 035 - 01	A50 - 5106	A50 - 5106	VC 1
RG111A, RG112A	4061 - 035 - 01	A50 - 5106	A50 - 5106	VC 1
RG121A, RG122A	4061 - 034 - 01	A50 - 5103	A50 - 5103	VC 1
RG131A, RG132A, RG133A, RG134A	4061 - 034 - 01	A50 - 5103	A50 - 5103	VC 1
RG135C, RG136C, RG137C, RG138C	4061 - 025 - 01	A59 - 8807	A59 - 8807	VT 9
RG141A, RG142A	4061 - 034 - 01	A50 - 5103	A50 - 5103	VC 1
RG155C, RG156C	4061 - 025 - 01	A59 - 8807	A59 - 8807	VT 9
RG151F, RG152F, RG153F, RG154F	4061 - 026 - 01	SA11 - 416	SA11 - 416	
1973 - 1976 FJ111S, FJ112S	4061 - 010 - 01	A30 - 1017	A30 - 1017	
FJ131S, FJ132S	4061 - 010 - 03	A30 - 1026	A30 - 1026	
RJ101S, RJ102S	4061 - 088 - 01	A50 - 5105	A50 - 5105	VC 1
RJ111S, RJ112S	4061 - 035 - 01	A50 - 5106	A50 - 5106	VC 1
RJ111A, RJ112A	4061 - 035 - 01	A50 - 5106	A50 - 5106	VC 1
RJ121A, RJ122A	4061 - 034 - 01	A50 - 5103	A50 - 5103	VC 1
RJ133A, RJ134A	4061 - 034 - 01	A50 - 5103	A50 - 5103	VC 1
RJ135C, RJ136C, RJ137C, RJ138C	4061 - 025 - 01	A59 - 8807	A59 - 8807	VT 9
RJ141A, RJ142A	4061 - 034 - 01	A50 - 5103	A50 - 5103	VC 1
RJ155C, RJ156C	4061 - 025 - 01	A59 - 8807	A59 - 8807	VT 9
RJ151F, RJ152F	4061 - 026 - 01	SA11 - 416	SA11 - 416	



RANCO DOMESTIC THERMOSTATS REPLACEMENT CHARTS

TECH. PAGE **152-g**

REPLACEMENT CONTROLS FOR DOMESTIC REFRIGERATORS & FREEZERS (Continued)

REFRIGERATOR/FREEZER MODEL	ORIGINAL CONTROL		RANCO	
	MANUFACTURER'S PART NO.	SUPPLIER'S PART NO.	FUNCTIONAL REPLACEMENT CONTROL	ADAPTABLE REPLACEMENT CONTROL

GENERAL ELECTRIC

GENERAL ELECTRIC

GA-1, GB-1, GB-3, GB-7, GC-1, GC-2, GC-3, GC-4	MRT - 128		SA 1253	VC 1
GD1, GD2, GD14	F.F.MRT - 134 FRZ.MRT - 133	SA12 - 1503 A30 - 3511		VC 1 VC 1
GG15	MRT - 134	SA12 - 1503		VC 1
GG12, GG152, GG10	MRT - 135	A42 - 4037	A59 - 2503	VT 9
GN10, GL13	MRT - 136	SA - 1258	A50 - 5117	VC 1
GN10P	GB - 277	F14 - 162	F56 - 5107	
GFU13, GFU9	MRT - 120	A13 - 1864	A13 - 1864	
GG12-2, GG15-1	MRT - 135	A42 - 4037	A59 - 2503	VT 9
GN9, GN10A, GL131, GL13A	MRT - 136	SA - 1258	A50 - 5117	VC 1
GL13P	GB-277	F14 - 162	F56 - 5107	VP 4
GF13	67131	A10 - 3537	A10 - 3537	
CA209, CA213S, CA213D	MRT - 120	A13 - 1864	A13 - 1864	
TA310, TA312, TB315, TB312 WG212, TA312R, GG122DJ	MRT - 135	A42 - 4037	A59 - 2503	VT 9
TA209, TA211, TA211A, TA213, TA213A, WLA13, GN10AW, GN101G	MRT - 136	SA - 1258	A50 - 5117	VC 1
TA211P, TA213P	GB - 277	F14 - 162	F56 - 5107	VP 4
"C" SERIES 1967 - 1968 TB12SC, TB15DC, TGB12C	MRT - 135	A42 - 4037	A59 - 2503	VT 9
TA9DC, TA9SC, TA11DC, TA11SC, TA13DC TA13SC	MRT - 136	SA - 1258	A50 - 5117	VC 1
CA9DC, CA11DC, CA13DC	MRT - 307	SA - 1272		VF 3
TBF12DC, TBF12SC, TBF15DC, TBF15SC	TF - 326			VA 2
TA11PC	GB - 277	F14 - 162	F56 - 5107	VP 4
"D" SERIES 1968 - 1969 TB12SD, TB12DD, TB12ED, TB15DD, TB15DC-2	MRT - 135	A42 - 4037	A59 - 2503	VT 9
TA9SD, TA9DD, TA13SD, TA13DD, TA11SD, TA11ED, TA11DD, TA11DC2	MRT - 136	SA - 1258	A50 - 5117	VC 1
CA9SD, CA11DD, CA13DD, CGA13SC	MRT - 307	SA - 1272		VF 3
TBF12SD, TBF12DD, TBF12SC, TBF12SC-2, TBF15SD, TBF15DD, TBF15CD, TBF15SC-2	TF - 326			VA 2
TA11PD, TA11PDM	GB - 277	F14 - 162	F56 - 5107	VP 4
TFF20	01 - 055 - 063 (Food Comp) 01 - 055 - 064 (Freezer)			
"E" SERIES 1969 - 1972 TB12SE, TB12SE2, TB12DE, TB15SE2, TB15DE	MRT - 135	A42 - 4037	A59 - 2503	VT 9
TA9MSE, TA11MSE, TA11MDE, TA11MEE, TA11ASE, TA11ADE, TA13MSE, TA13MDE, TA13ASE, TA13ADE	MRT - 136	SA - 1258	A50 - 5117	VC 1
TA11PDF, TA11PDE	GB - 277	F14 - 162	F56 - 5107	VP 4
TF12SE, TF12SE2, TF12DE, TF16SE, TF16SE2, TF16DE, TF16DE2, TF16CE	TF-326 Early TF16DE All Others 8 - 0100072 - 601	3ART5VC52		VA 2
"F" SERIES 1969 - 1973 CA9, CA11, CA13	MRT - 307	SA - 1272		VF 3
CAF12	CA - 334	3ART5VH2		VF 3
CB6, CB10, CB16	ZE321088	A10 - 3756 A10 - 3760		VF 3
TB12EF, TB12SF, TB12DF, TB15SF, TB15DF, TB15XF	MRT - 135	A42 - 4037	A59 - 2503	VT 9
TA9MSF, TA11MEF2, TA11MSF, TA11ASF, TA11ADE, TA13MSF, TA13ASE, TA13ADF	MRT - 136	SA - 1258	A50 - 5117	VC 1
TF16SE2, TF16DE, TF16CE, TF12SE2, TF12SF, TF12DE	TF-326 Early TF16DE All Others 8 - 0100072 - 601	3ART5VC52		VA 2
TA9PSE, TA9PSF TA11PDF	8 - 0100528 - 601 GB - 277	F56 - 5234 F14 - 162	F56 - 5234 F56 - 5107	VP 4
1973 - 1976 TA9MSF	MRT - 136	SA - 1258	A50 - 5117	VC 1
TA11MSF	100652 - 601	A50 - 5117	A50 - 5117	VC 1
TA11MD, TA11ME, TA11AS, TA11AD	MRT - 136	SA - 1258	A50 - 5117	VC 1
TB12S, TB12D	100621 - 601	A59 - 2503	A59 - 2503	VT 9
TF12S, TF12D, TF12S2, TF16S, TF16S2, TF16D, TF16D2, TF16C	100072 - 601 100072 - 602 100072 - 603	3ART5VC52 3ART5VC78		VA 2

ORDERING: VaRifix Adaptable Controls - Page 151 - Other RANCO Controls - Page 152

CONTINUED NEXT PAGE

RANCO DOMESTIC THERMOSTATS REPLACEMENT CHARTS



REPLACEMENT CONTROLS FOR DOMESTIC REFRIGERATORS & FREEZERS (Continued)

REFRIGERATOR/FREEZER MODEL	ORIGINAL CONTROL		RANCO	
	MANUFACTURER'S PART NO.	SUPPLIER'S PART NO.	FUNCTIONAL REPLACEMENT CONTROL	ADAPTABLE REPLACEMENT CONTROL

GENERAL ELECTRIC

(Continued)

GENERAL ELECTRIC

1973 - 1976 (Continued) TA13MS, TA13MD, TA13AS, TA13AD	100671 - 601	TF7 - 40B9		VC 1
TA13PD	100513 - 601	F56 - 5107	F56 - 5107	
CA9 CA11 CA13	100653 - 601	SAX715		VF 3
	100653 - 602	3ART5S37		
	100653 - 603	3ART5S45		
CAF12SG	CA334	3ART5VH2		VF 3
1977 - 1978 T280MSJ	100652 - 602	A50 - 5130	A50 - 5130	VA 2
T330	100652 - 601	A50 - 5117	A50 - 5117	VC 1
TB330, TB360, TB370, TB390, TB420, TB430	100621 - 601	A59 - 2503	A59 - 2503	VT 9
TF330, TF420	100072 - 601	3ART5VC52		VA 2
TF330K, TF430K	100072 - 604	3ART5VC87		VA 2
C230, C270, C340	100653 - 601	A50 - 5122	A50 - 5122	VF 3
GBT1, PT3, PT6, PT12	300060 - 604	A50 - 5118	A50 - 5118	VC 1
1979 T280MSK	100652 - 604	A50 - 5152		
TB370, TB390, TB430	100621 - 601	A59 - 2503	A59 - 2503	VT 9
	100621 - 602	3ART6G56		
TF330, TF430	100072 - 604	3ART5VC87		VA 2

HALLSTROM

HALLSTROM

SK5, SK60, SK70, SK65			SA 1273	VC 1
H5, AV86, NV6, 605, BR9, 805, 905, 656, MS8, JN7			SA 1273	VC 1
704, 804			SA 1269	VC 1
BR11, S11, SK12			SA 1261	VC 1
R8, R7, S8, S9, S7			SA 1260	VC 1
KF1, SKF12			SA 1255	VF 3
HJ2, SK3			SA 1254	
SKSU			SA 1279	VC 1

KELVINATOR & LEONARD

KELVINATOR & LEONARD

M5W, AS5, ASB5, ASC5, AS6, SAS5, AS7, ASB7, KELVINETTE 1200, 12 c.f., 20 c.f., 30 c.f.	KA 12193	SA 518 SA 1076	A50 - 5126	VC 1
NHC, 245, 465, ASD7, 208, 209, 211, 218, 219, 227, 229	KA 7931	SA 501E	A50 - 5126	VC 1
217, 225, 226 (208, 218 Early Models)	KA 12965	SA 523	A50 - 5126	VC 1
419, 439, 447, 477, 485	KA 11574	SA 581 SA 728	A50 - 5126	VC 1
212, 213, 214, 216, 224, 230, 250, 252, 318, 368, 449, 463, 539, 560, 570, MO90VA, MO90WA, M250VC, 250MV3	KA 20704	SA 948E	A50 - 5126	VC 1
469, 482, 489, 682, 689	KA 26943	A26 - 164 A42 - 4129	A59 - 8804	VT 9
466, 476/66, 493, 518, 568, 577, 578, 579, 580, 676, 693, 694, C124SA, C124VA, C124WA	KA 27080	A26 - 163 A42 - 4126	A59 - 8801	VT 9
686	KA 33524	051B	A59 - 8802	VT 9
387, 388, 976, 993	KA 28737	A26 - 172 A42 - 4127	A59 - 8802	VT 9
486, 496, 508, 509, 519, 588	KA 32169	A26 - 181 A42 - 4128	A59 - 8803	VT 9
770, 778, 788, 790	KA 36673	SA 1277	SA 1277	VF 3
888, N220FA, N220EB	KA 38625	A52 - 154	A50 - 5572	VF 3
C160GC, C160GF	Z234099	A40 - 1006 A59 - 8601	A59 - 8801	VT 9
D600, D601, D602	203255	A42 - 1006 A59 - 8601	A59 - 8801	VT 9
769, C144HA, C144NA, C144WA, C180GA, C180WA, C125WB, C125RB	KA 40327	A42 - 4136	A59 - 8800	VT 9
C144SB	KA 47569	A42 - 4136	A59 - 8800	VT 9

CONTINUED NEXT PAGE

ORDERING: VaRifix Adaptable Controls - Page 151 - Other RANCO Controls - Page 152



RANCO DOMESTIC THERMOSTATS REPLACEMENT CHARTS

REPLACEMENT CONTROLS FOR DOMESTIC REFRIGERATORS & FREEZERS (Continued)

1

REFRIGERATOR/FREEZER MODEL	ORIGINAL CONTROL		RANCO	
	MANUFACTURER'S PART NO.	SUPPLIER'S PART NO.	FUNCTIONAL REPLACEMENT CONTROL	ADAPTABLE REPLACEMENT CONTROL

KELVINATOR & LEONARD (Continued) KELVINATOR & LEONARD

C340RC, 340CR3, C340TC, C340YC, C340ZC, C340SE, C380HC, 380CH3, C380NC, C380SC, C380SE, C380TC, C480GC, 480CG3, C480NC, C480SC, C480SE	KA 51553 KA 45917	A59 - 8800	A59 - 8800	VT 9
779, 789, N180FA, N180SA, N180SB	KA 41664	SA 1283	A50 - 5108	VF 3
N480FC, 480NF3, N480TC	KA 45953	A50 - 5108	A50 - 5108	VF 3
N144FA, N144GA, N144WA, N144WB	KA 43265	SA 1293	A50 - 5109	VF 3
C380HF, C380CH6, C380SF	KA 57536	GE 5ART6AF1	A59 - 8808	
N510FF, 510NF6, N610FF, 610NF6	KA 57204	SAM 1311	SAM 1311	
N380FF, 380NF6	KA 56517	A50 - 5137	A50 - 5137	VF 3
C340RF, 340CR6, C480HF, C340FG, 390CF7 480CH6, C480SF, C480FG, 480CF7	KA 56069 KA 55944	A59 - 8808	A59 - 8808	VT 9
360MV6, M360VF	KA 54925	A50 - 5136	A50 - 5136	
C360HE, 360CH5, C310HF, 310CH6, C370HF, 370CH6, C410HF, 410CH6 Also used on Models - C160HG, 160CH7, C310HG, 310CH7, C350HG, 350CH7, C360HG, 360CH7, C410HG, 410CH	203793	A59 - 8609	A59 - 8809	VT 9
M138VA, M138WA	KA 41068	SA 1294	A50 - 5110	
M360VC, 360MV3	KA 49605	A50 - 5107	A50 - 5107	
N510FD, 510NF4, N610EE, 610NE5	KA 47397	SAM 1308	SAM 1308	
"LADY K", KA31M, KB31M	E71570	KCA/A6/B15		VC 1
"LADY K", K31RU/4, K315/4, K33Z/4	E73934	KCA/T1/S27		VC 1
"LADY K", K31R/4	E74288	A50 - 125		VC 1
"LADY K", K33B/4, K33C/4, K33D/4	E75947 E74611	KCA/T2/S27		VC 1
"LADY K", K33E/4	E81965	KCA/T2/S27		VC 1
C350VC	2171 - 125	A59 - 2504	A59 - 2504	VT 9
450NG3, 500NG3	1229314			
400NG3, N450GC, N500GC	1228410	9530 N449		
N400GC, N500GC, N620GC, 620NG3	1231175	GE,	SAM 1308	
463, 560, 570	KA 28974	E11 - 2533	E11 - 2533	
439, 477, 485	KA 11573	E13 - 2500	E13 - 2500	
486, 496, 508, 509, 519, 588, 676, 686, 694	KA 29295	E11 - 2538	E11 - 2538	
976, 993	KA 28917	E11 - 2534	E11 - 2534	
770, 778, 788, 790	KA 36855	E11 - 2403	E11 - 2403	
888	KA 38069	DFC4H - 14A		
N220FA, N220EB, N600EC, 600NE3, 888	KA 42756	DFC4H - 14B		
779, 789, N180SA, N180SB N480FC, 480NF3, N480TC	KA 39531	DFS - 55B		
N140FA, N144GA, N144WA, N144WB, N380FC, N380GC, N380YC, 380NF3, N380TC, N510FD, 510NF4, N510FF, N380FF, 380NF6, 510NF6	KA 43881	GF539 - 29		
400NG3, 450NG3, 500NG3, N450 GC, N400GC, N500GC	1228443	FP539 - 21		
N620GC	1230355	GR539 - 21		
221, 267, 269, 275, 429, 467, 476/56	KA 13154	F14 - 113		
P360RC, 360PR3	KA 49606	F56 - 5102	F56 - 5102	
232, 241, 271, 272, 453, 462, 469	KA 20703	F14 - 119	F56 - 5104	
360PR6, P360RF	KA 54914	F56 - 5108	F56 - 5108	
N610EE, 610NE5, N610FF, 610NF6	KA 56413	NK539 - 21		
N380FF, 380NF6	KA 55041	K7Y		
N510FD, 510NFH, N610EE, 610NF6 610NE5, N510FF, 510NE6	KA 57201			
N380FF, 380NF6	KA 56455	B11 - 509	B11 - 509	
N510FD, 510NF4, N610EE, 610NE5, N510FF, 510NF6, N610FF, 610NF6	KA 56464	B11 - 508	B11 - 508	
P250VC, 250PV3, P250YC, P250TC	KA 46067	F56 - 5104	F56 - 5104	
P138NA, P138RA	KA 41069	F14 - 203	F56 - 5105	
888, N180FA, N180SA, N180SB, N220EB, N220FA, N380FC, N380GC, N380TC, N380YC, 380NF3, N480FC, N480TC, 480NF3, N600EC, 600NE3	KA 38627	B11 - 504	B11 - 504	
779, 789	KA 39138	B11 - 505	B11 - 505	
N144FA, N144GA, N144WA, N144WB	KA 45396	B11 - 505	B11 - 505	

ORDERING: VaRifix Adaptable Controls - Page 151 - Other RANCO Controls - Page 152

CONTINUED NEXT PAGE

RANCO DOMESTIC THERMOSTATS REPLACEMENT CHARTS



REPLACEMENT CONTROLS FOR DOMESTIC REFRIGERATORS & FREEZERS (Continued)

REFRIGERATOR/FREEZER MODEL	ORIGINAL CONTROL		RANCO	
	MANUFACTURER'S PART NO.	SUPPLIER'S PART NO.	FUNCTIONAL REPLACEMENT CONTROL	ADAPTABLE REPLACEMENT CONTROL

KELVINATOR & LEONARD (Continued) KELVINATOR & LEONARD

N510FD, 510NF4	KA 47898	B11 - 507	B11 - 507	
N620GC, 620NG3	1226883	B11 - 132	B11 - 132	
993 976	KA 28649 KA 32806	L135-3 Fan Speed L135-3 Control		
N220EB, N600EC, 600NE3	KA 44800	FS - 100	FS - 100	
N600EC, 600NE3	KA 53960	C808/00		
FF6	273060	A10 - 1368	A54 - 8214	VR 6
FF60	320088	A10 - 1457 A10 - 1381	A54 - 8214	VR 6
FF60, FF60/1, FF100, FF100/1, FF160, FF160/1 FF220, FF220/1, AHF62, AHF102, AHF162, AHF224	321088	A10 - 3537	A54 - 8214	VR 6
H200GD, H160GC, H340GD, H430GC, H500GD, H600GC, H700GD, H200FF, H500FF, H700FF, H340FF	39113	A54 - 8214	A54 - 8214	VR 6
FF6, FF10	KA 14298	A10 - 3503 A54 - 2910 SA 2501	A54 - 2910	VS 5
FF85, FF86	KA 30018	A10 - 3545	A10 - 3545	VS 5
VF10	KA 14575	SA 775	A10 - 1201	VF 3
VF105	KA 17726	SA 2595	A10 - 1201	VF 3
VF231, VF236, VF436, VF337, VF338, VF537, VF538, F100LA	KA 25225	A10 - 1201	A10 - 1201	VF 3
F118LB, F310LC, F310HF, 310FL3, 310FH6	KA 45674	A55 - 1003	A55 - 1003	
F330LD	10 - 273	A50 - 583		VF 3
H250GD	10 - 404	A50 - 218		VF 3
FF13, FF15, FF22	KA 30115	A10 - 3537	A54 - 8214	VR 6
FF15, FF22, (Series CAV CAZ)	ZE 288028	A10 - 3756	A54 - 8214	VR 6

MALLEYS

MALLEYS

1960 M8, M10		SA 983		
1961 409, 411		SA 1206	SA - 1280	VC 1
1962 510, 512A, 512M		TC 28	SA - 1280	VC 1
1963 610F, 610A, 612F, 612A		TC 28	SA - 1280	VC 1
1964 710ME, 710F, 710A, 712A, 712AE 712C, 714C, 714M		TC 28	SA - 1280	VC 1
1965 810E, 810F, 810A, 812A 812C, 812M, 814C, 814M		515364	A59 - 2517	VT 9
1966 912AB 912CE 912K, 912KM, 914K, 914KM		SA 1206	SA - 1280	VC 1
1967 1010ME, 1010FE, 1010AE, 1010AB, 1012ME, 1012FE, 1012AE, 1012AB 1012CE, 1012CB, 1014CE, 1014CB 1012K, 1012KM, 1014K, 1014KM, 1012FD, 1012FDM, 1014FD, 1014FDM		515364	A59 - 2517	VT 9
1968 1110ME, 1110FE, 1110AE, 1110AB, 1112ME, 1112FE, 1112AE, 1112AB 1112CE, 1112CB, 1114CE, 1114CB 1112K, 1114K, 1115K, 1115KM		531608	A50 - 5139	VA 2
1969 1210M, 1210F, 1210A, 1212M, 1212F, 1212A, 1212AB 1212C, 1214C 1213K, 1215K		SA 1280	SA - 1280	VC 1
		515364	A59 - 2517	VT 9
		531608	A50 - 5139	VA 2

CONTINUED NEXT PAGE

ORDERING: VaRifix Adaptable Controls -- Page 151 -- Other RANCO Controls -- Page 152



RANCO DOMESTIC THERMOSTATS REPLACEMENT CHARTS

REPLACEMENT CONTROLS FOR DOMESTIC REFRIGERATORS & FREEZERS (Continued)

REFRIGERATOR/FREEZER MODEL	ORIGINAL CONTROL		RANCO	
	MANUFACTURER'S PART NO.	SUPPLIER'S PART NO.	FUNCTIONAL REPLACEMENT CONTROL	ADAPTABLE REPLACEMENT CONTROL

MALLEYS

(Continued)

MALLEYS

1970 011S, 011P, 011A, 013S, 013P, 013A, 013AB 013C, 015C		SA 1286 515364	SA 1286 A59 - 2517	VT 9
014K, 014KB, 016K, 016KB		531608	A50 - 5139	VA 2
1971 - 1972 111S, 111P, 111A, 113S, 113P, 113A, 113AB 113C-CN, 115C-CN	C - 3776 - 179	SA 1286 ME380 - 11	SA 1286	VC 1
114K, 114KB, 114KBT, 116K, 116KB, 116KBT		531608	A50 - 5139	VA 2
1973 - 1976 214K, 214KB, 214KBT, 216K, 216KB, 216KBT 114C, 114CN, 214C, 214CN, 116C, 116CN		531608 515364	A50 - 5139 A59 - 2517	VA 2 VT 9
111S, 111P, 111A, 113S, 113P, 113A, 113AB	3776 - 179	SA 1286	SA 1286	VC 1
1977 214K, 214KB, 214KBT, 216K, 216KB, 216KBT 114C, 114CN, 214C, 214CN, 116C, 116CN		531608 515364	A50 - 5139 A59 - 2517	VC 1 VT 9
330AB	3776 - 179	SA 1286	SA 1286	VC 1
300S, 350S, 300SN, 350SN, 300ST, 350ST	3297 - 797	A50 - 5141	A50 - 5141	VC 1
350PT	3301 - 807	F50 - 5202	F50 - 5202	VP 4
WHF160T, WHF200D, NHF140DS, NHF200DS, RHF140D, RHF200D	4400 - 521	A50 - 5142	A50 - 5142	VF 3
WHF53, WHF140C5, WHF200C5, NHF140, NHF200	4400 - 012	A50 - 5104	A50 - 5104	VF 3

METTERS

METTERS

1960 MQ560, SSQ70, MA76D, MSQ760, MS860	00 - 027 - 047	50B 023		VC 1
1961 MQ960, MQD960, MS1160, MQ1260, MQ1260DW, ST11, MB61, MQ1161	00 - 027 - 047	50B 023		VC 1
1962 M562, M1162, MA1162, M1362, MA1362, MA962, MO1161S, M1062, MA1062, SQ595 HC12, HC12A, HC14, HC14A, HC10, HC10A GKR62	00 - 027 - 047 00 - 027 - 047 00 - 085 - 047	50B 023 50B 023 50B 085		VC 1 VC 1 VC 1
1963 MA963, M963, M1063, MF963	00 - 027 - 047	50B 023		VC 1
1964 MST1564, MST1465 M1264, MA1264, M964, MA1064, M1064, MA1064/2, M1064/2, H415, HC412, HC410, HC405, HC410A M1464, MA1464, HC414, HC414A GKR64, M564 MF1064, HCF10 MST1266	00 - 081 - 047 00 - 061 - 047 00 - 065 - 047 00 - 085 - 047 00 - 079 - 047 00 - 083 - 047	A42 - 4044 50B 061 50B 065 50B 085 U 5079	A59 - 2504	VT 9 VC 1 VC 1 VC 1 VF 3 VT 9
1965 M1165, MA1165, MS1164, M1265, MA1265, M1065 GKR65, M565 R1162, RA1162, R1362, RA1362	00 - 093 - 047 00 - 085 - 047 00 - 027 - 047	A10 - 1321 50B 085 50B 023		VC 1 VC 1 VC 1
1966 MA1266, MSA1265, M1066, MA1166, M10DP, MA1266D, MA1166D MFF1467 MF1166	00 - 093 - 047 01 - 023 - 047 01 - 007 - 047	A10 - 1321 SA 1269 SA 1266		VC 1 VC 1 VC 1
1967 M1067, MA1267, MA1167 MFF1267, MFF1467P MF1168, MF1267 M967 MFF1467W MST1266P	00 - 093 - 047 01 - 001 - 047 01 - 007 - 047 00 - 027 - 047 01 - 023 - 047 00 - 081 - 047	A10 - 1321 SA 1264 SA 1266 50B 023 SA 1269 A59 - 5104		VC 1 VC 1 VC 1 VC 1 VT 9 VT 9
1968 M1068, MA1167S, M1167S, M110, MA110, MA12 MF1268 M15	00 - 093 - 047 01 - 059 - 047 01 - 023 - 047	SA 1275 SA 1269		VC 1 VC 1

CONTINUED NEXT PAGE

ORDERING: VaRifix Adaptable Controls - Page 151 - Other RANCO Controls - Page 152