

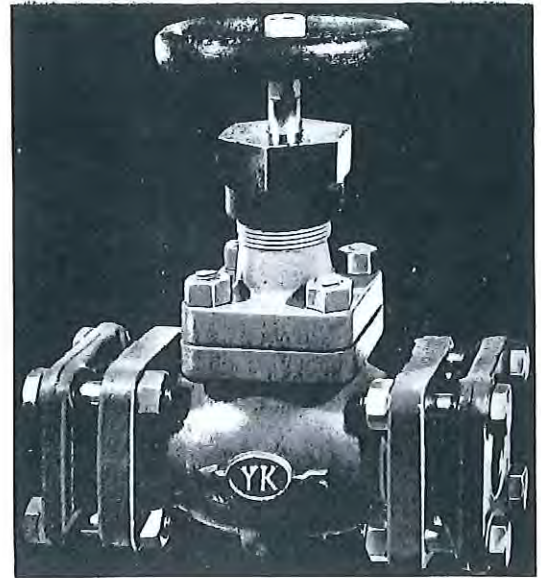
YK EXPANSION VALVES FOR AMMONIA & R12 - R22 - R502

VALVES OF BACKSEATING DESIGN ENABLING GLANDS TO BE REPACKED UNDER PRESSURE. RENEWABLE STEEL SEAT INSERT SCREWED INTO BODY.

SWIVEL TYPE HARDENED TAPERED NEEDLE VALVE SHOE FITTED TO SIZES 3/4" AND OVER. 1/4", 3/8" AND 1/2" ARE OF ONE PIECE WITH HARDENED NEEDLE SEAT.

VALVES FOR R12, R22, R502 etc. ARE SUPPLIED WITH SEAL CAPS. SUITABLE FOR METERING SERVICE OF INDUSTRIAL FLUIDS. NON-CORROSIVE TO CAST IRON AND STEEL.

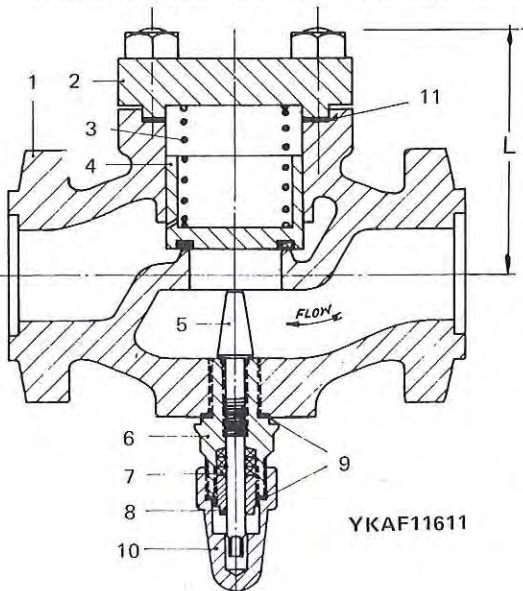
DIRECTION OF FLOW SHOULD BE FROM UNDER VALVE SEAT.



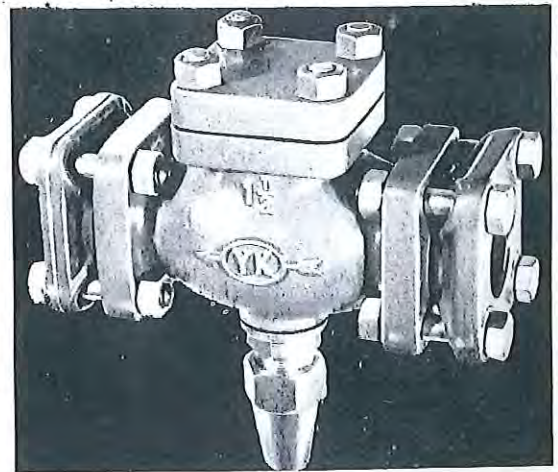
| VALVE TYPE | DESCRIPTION | BONNET | CONNECTION TYPE | AVAILABLE SIZES — INS. |
|----------------------------|-------------------|---------|-----------------|--|
| AMMONIA | | | | |
| YKA 11211 | Straight Globe | Bolted | Weld Flange | 1/4 - 3/8 - 1/2, 3/4, 1, 1 1/4, 1 1/2, 2 |
| YKA 11221 | " " | Screwed | " " | 1/2 |
| YKA 11213 | " " | Bolted | Screwed Body | 1/4 - 3/8 - 1/2, 3/4, 1, 1 1/4, 1 1/2, 2 |
| YKA 11223 | " " | Screwed | " " | 1/2 |
| YKA 21211 | Right Angle Globe | Bolted | Weld Flange | 1/4 - 3/8 - 1/2, 3/4, 1, 1 1/4, 1 1/2, 2 |
| YKA 21221 | " " " | Screwed | " " | 1/4 - 3/8 - 1/2, 1/2 |
| YKA 22203 | Right Angle Ball | | Screwed Body | 1/4 x 1/4, 3/8 x 1/4, 1/2 x 1/4, 3/8, 1/2, 3/4, 1, 1 1/4 |
| R12, R22, R502 ETC. | | | | |
| YKF 11211 | Straight Globe | Bolted | Weld Flange | 1/4 - 3/8 - 1/2, 3/4, 1, 1 1/4, 1 1/2, 2 |
| YKF 11221 | " " | Screwed | " " | 1/2 |
| YKF 11213 | " " | Bolted | Screwed Body | 1/4 - 3/8 - 1/2, 3/4, 1, 1 1/4, 1 1/2, 2 |
| YKF 11223 | " " | Screwed | " " | 1/2 |
| YKF 21221 | Right Angle Globe | " | Weld Flange | 1/4 - 3/8 - 1/2, 1/2 |
| YKF 22203 | Right Angle Ball | | Screwed Body | 1/4 x 1/4, 3/8 x 1/4, 1/2 x 1/4, 3/8, 1/2, 3/4, 1, 1 1/4 |

PISTON CHECK VALVES FOR AMMONIA & R12 - R22 - R502

DESIGNED FOR TIGHT CLOSURE AT ALL PRESSURES. FULL SIZE PORTS INSURE MINIMUM PRESSURE DROP. SUITABLE FOR COMPRESSOR DISCHARGE IN VERTICAL OR HORIZONTAL LINES. TEFLON SEATS UNAFFECTED BY HIGH OR LOW TEMPERATURES. SEAT LIFT PERMITS OPENING OF VALVE AGAINST FULL LINE PRESSURE TO REVERSE FLOW.



- 1 Body
- 2 Cover
- 3 Spring
- 4 Piston
- 5 Seat Lift Spindle
- 6 Bonnet
- 7 Gland Packing
- 8 Gland
- 9 Gaskets
- 10 Seal Cap
- 11 Gasket



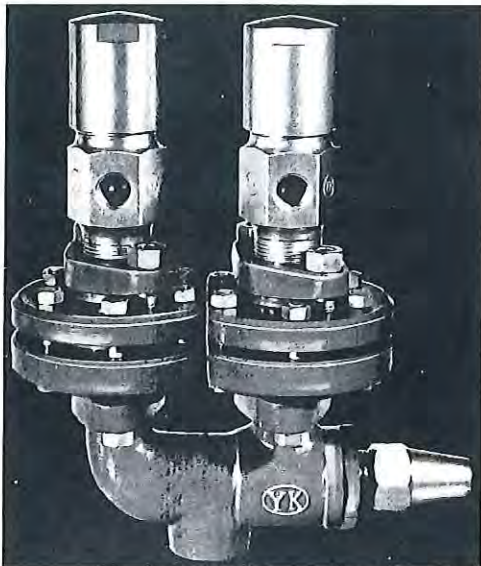
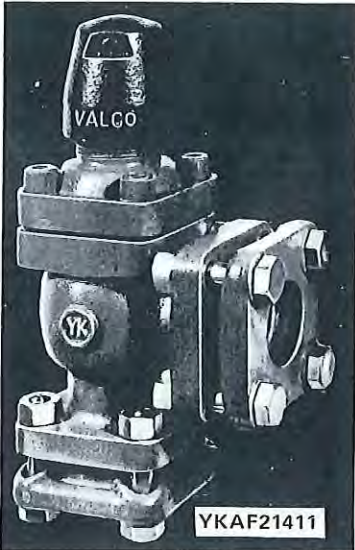
| SIZES 1/2" — 5" | |
|-----------------|---|
| | 1/2" 3/4" 1" 1 1/4" 1 1/2" 2" 2 1/2" 3" 3 1/2" 4" 5" 6" |
| L | 2 1/2" 2 1/2" 3" 3 1/2" 3 1/2" 4 1/4" 5" 5 1/2" 6 1/4" 6 1/4" |



RELIEF VALVES

PACKED GLANDS ENABLE VALVES TO BE ADJUSTED UNDER LINE PRESSURE WHEN USED FOR LIQUID AMMONIA BYPASS DUTY. RENEWABLE STEEL SEATS, SIZES 1/2" TO 2". PRESSURE RANGE - 135 TO 320 PSI (930 TO 2206 kPa).

- YKAF 22403 - Right Angle Ball Pattern.
All steel construction.
Similar Valves fitted to 3/4" and 1" Dual Stop Valves.
Sizes - 1/2" and 3/4" Screwed Connections.
- YKAF 21411 - Right Angle Globe Pattern.
Disc and coil springs.
Bolted Bonnet. Weld Flange Connections.
1 1/4" and 1 1/2" fitted to 1 1/2" Dual Stop Valve.
Sizes - 1/2", 3/4", 1", 1 1/4", 1 1/2", 2".
- YKAF 11411 - Straight Globe Pattern.
Screwed Bonnet. Weld Flange Connections.
Sizes - 1/2", 3/4", 1", 1 1/4", 1 1/2", 2".



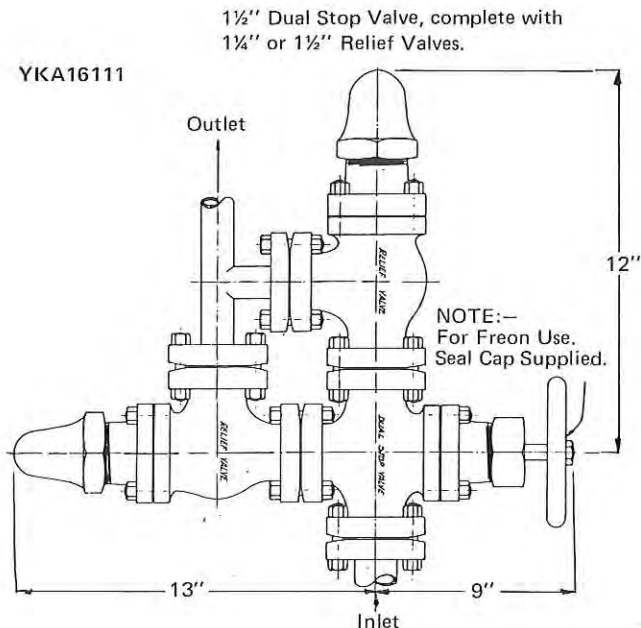
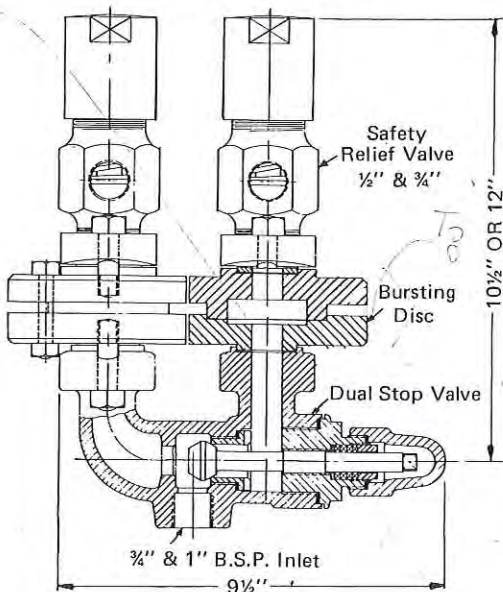
1/2" Relief Valves YKAF16128
3/4" Relief Valves YKAF16129

DUAL STOP VALVES

COMPLETE WITH RELIEF VALVES AND OPTIONAL BURSTING DISCS ARRANGED SO THAT EACH VALVE MAY BE REMOVED FOR REPAIRS OR INSPECTION LEAVING ONE VALVE ALWAYS IN SERVICE.

BURSTING DISCS 3/4" TO 3" DIAPHRAGMS TO SUIT APPLICATION AND PRESSURE RANGE OF ALL REFRIGERANTS. COMBINED WITH SAFETY VALVES, SYSTEM IS PERMANENTLY SEALED AGAINST LEAKAGE WHERE EXCESSIVE VIBRATION IS PRESENT.

- YKA 16128 - 3/4" Fitted with 2 x 1/2" Relief Valves.
- YKAF 16129 - 3/4" Fitted with 2 x 3/4" Relief Valves.
- YKAF 16130 - 1" Fitted with 2 x 3/4" Relief Valves.
- YKAF 16111 - 1 1/2" Fitted with 2 x 1 1/4" Relief Valves.
- YKAF 16118 - 1 1/2" Fitted with 2 x 1 1/2" Relief Valves.





SOLENOID VALVES

YK Solenoid Valves are suitable for the control of all refrigerants, water, brine, air, oil, steam and chemicals with viscosity up to SAE 10. They are equipped with manual operating stem, synthetic seats impervious to all refrigerants, oil, water and brine. Coils are vacuum impregnated for protection against moisture and designed for continuous operation.

It is recommended that a line strainer be fitted to every solenoid valve.

Max. Operating Pressure 300 psig (2069 kPa) except 2" Valve - 250 psig (1724 kPa).

TYPES AND SIZES

Solenoid Valve only - YKAF 13001

Sizes - as per Table below.

Solenoid - Strainer Combination - YKAF 13005

Sizes - 1/2", 3/4", 1", 1 1/4", 1 1/2", 2", 2 1/2"

Stop - Strainer - Solenoid Combination -

YKA 13008 - Ammonia

YKF 13008 - R12, R22, R502 etc.

Sizes - 1/2", 3/4", 1", 1 1/4", 1 1/2", 2", 2 1/2"

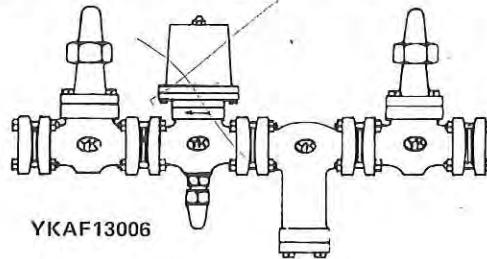
Stop - Strainer - Solenoid - Stop Combination -

YKA 13006 - Ammonia

YKF 13006 - R12, R22, R502 etc.

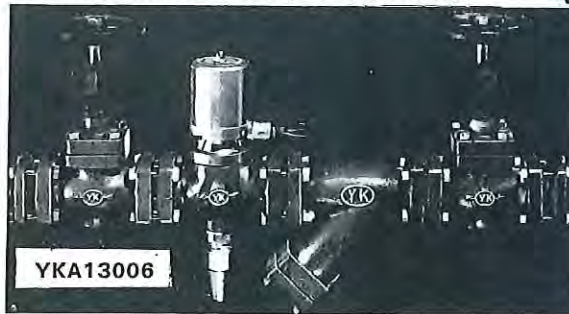
YKAF 13006 - Ammonia & R12 etc.

Sizes - 1/2", 3/4", 1", 1 1/4", 1 1/2", 2", 2 1/2"

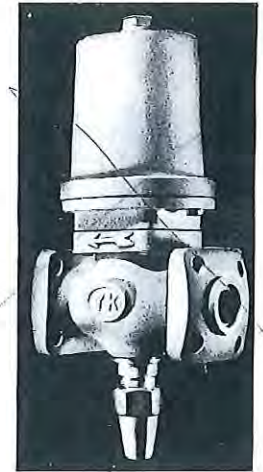


YKAF13006

SOLENOID VALVE AND STRAINER COUPLED TO ISOLATING STOP VALVES AS ONE UNIT



YKA13006



3

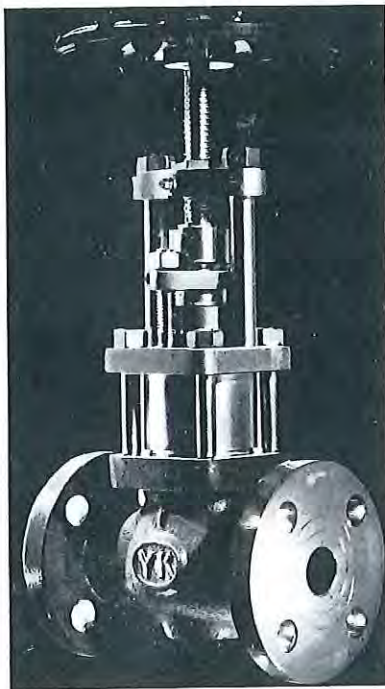
| YKAF 13001 SOLENOID | | | | | | | | | | | | | | | | | | | | | |
|---------------------|-----------|----|----------------|--------------------------------|-----------------|------|------|----------------------------|------|------|------|--|----------------------|--|--|--|--|--|--|--|--|
| Refrig | PORT SIZE | | Orifice INS | AVAILABLE CONNECTIONS (INS) | CAPACITY — TONS | | | | | | | | ELECTRICAL COIL DATA | | | | | | | | |
| | INS | MM | | | LIQUID LINE | | | Suction Line @ 1 PSIG P.D. | | | | | | | | | | | | | |
| | | | | | 2 | 3 | 4 | EVAP. TEMP. °F | | | | | | | | | | | | | |
| R717 | 1/4 | 8 | 5/32 | 1/4 - 3/8 - 1/2 | 5.5 | 6.6 | 7.1 | | | | | | | | | | | | | | |
| R717 | 1/2 | 15 | 1/4 | 1/4 - 3/8 - 1/2 | 9.3 | 11.3 | 13.3 | | | | | | | | | | | | | | |
| R12 | 1/2 | 15 | 1/2 | 1/2 - 3/4 - 7/8 | 10 | 12 | 14 | 1.1 | 0.8 | 0.6 | 0.5 | | | | | | | | | | |
| R22 | 1/2 | 15 | 1/2 | 1/2 - 3/4 - 7/8 | 15 | 17 | 19 | 1.5 | 1.2 | 1.0 | 0.8 | | | | | | | | | | |
| R717 | 1/2 | 15 | 1/2 | 1/4 - 3/8 - 1/2 | 28 | 34 | 40 | 3.3 | 2.7 | | | | | | | | | | | | |
| R12 | 3/4 | 20 | 11/16 | 7/8 - 1-1/8 | 32 | 35 | 39 | 3.6 | 3.0 | 2.3 | 1.8 | | | | | | | | | | |
| R22 | 3/4 | 20 | 11/16 | 7/8 - 1-1/8 | 38 | 45 | 49 | 5.5 | 4.4 | 3.6 | 2.8 | | | | | | | | | | |
| R717 | 3/4 | 20 | 11/16 | 3/4 - 1 | 70 | 85 | 95 | 15.0 | 11.0 | 9.0 | 7.0 | | | | | | | | | | |
| R12 | 1 | 25 | 1-1/16 | 1-1/8 - 1-3/8 | 40 | 48 | 56 | 5.0 | 4.0 | 3.2 | 2.5 | | | | | | | | | | |
| R22 | 1 | 25 | 1-1/16 | 1-1/8 - 1-3/8 | 50 | 60 | 68 | 7.5 | 6.0 | 5.0 | 3.8 | | | | | | | | | | |
| R717 | 1 | 25 | 1-1/16 | 1 - 1 1/4 | 130 | 160 | 180 | 17.0 | 14.0 | 11.0 | 9.0 | | | | | | | | | | |
| R12 | 1 1/4 | 32 | 1-1/16 | 1-3/8 - 1-5/8 | 60 | 70 | 79 | 7.5 | 5.5 | 4.4 | 3.4 | | | | | | | | | | |
| R22 | 1 1/4 | 32 | 1-1/16 | 1-3/8 - 1-5/8 | 70 | 90 | 105 | 11 | 9 | 7.2 | 5.7 | | | | | | | | | | |
| R717 | 1 1/4 | 32 | 1-1/16 | 1 1/4 - 1 1/2 | 190 | 235 | 275 | 28 | 23 | 18.5 | 14.5 | | | | | | | | | | |
| R12 | 1 1/2 | 40 | 1 1/2 | 1-5/8 - 2-1/8 | 100 | 115 | — | 11 | 8 | 6.4 | 4.9 | | | | | | | | | | |
| R22 | 1 1/2 | 40 | 1 1/2 | 1-5/8 - 2-1/8 | 125 | 140 | — | 17 | 14 | 11.0 | 8.7 | | | | | | | | | | |
| R717 | 1 1/2 | 40 | 1 1/2 | 1 1/2 - 2 | 340 | 400 | — | 42 | 35 | 28.0 | 22.0 | | | | | | | | | | |
| R12 | 2 | 50 | 2 | 2-1/8 - 2-5/8 | 140 | — | — | 16 | 11 | 8.7 | 6.8 | | | | | | | | | | |
| R22 | 2 | 50 | 2 | 2-1/8 - 2-5/8 | 170 | 200 | — | 24 | 19 | 16 | 12 | | | | | | | | | | |
| R717 | 2 | 50 | 2 | 2 | 500 | 550 | — | 70 | 58 | 46 | 37 | | | | | | | | | | |
| R12 | 2 1/2 | 65 | 2 1/2 | 2-5/8 - 3-1/8 | 200 | — | — | 25 | 18 | 14 | 11 | | | | | | | | | | |
| R22 | 2 1/2 | 65 | 2 1/2 | 2-5/8 - 3-1/8 | 263 | 298 | — | 38 | 31 | 25 | 20 | | | | | | | | | | |
| R717 | 2 1/2 | 65 | 2 1/2 | 2 1/2 | 700 | 850 | — | 104 | 85 | 68 | 54 | | | | | | | | | | |

SPECIAL COILS FOR HIGH OR LOW VOLTAGE AVAILABLE ON APPLICATION

ORDERING PROCEDURE : REFER TO PAGE 221-a AND QUOTE CATALOGUE NO. OF ITEM REQUIRED



Handwritten notes: 2, 10/11



CHLORINE STOP VALVES 1/2" - 4"

VALVES ARE SUPPLIED WITH EXTERNAL BRIDGE. STAINLESS STEEL OR MONEL METAL SPINDLES. RENEWABLE SPINDLE NUT. VALVE SEATS OF STAINLESS STEEL OR MONEL. VALVE BODY CASTINGS CARBON OR STAINLESS STEEL

VALVE DISC INSERT FIBRE GLASS REINFORCED TEFLON. GLAND PACKING TEFLON VEE RINGS.

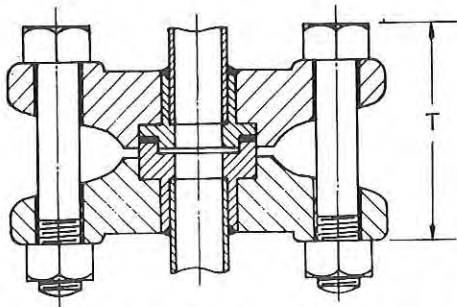
BELLOW SEALS IN STAINLESS STEEL AND TEFLON. MAX. PRESSURE 150 PSI (1034 kPa).

SIMILAR VALVES ALSO AVAILABLE FOR GENERAL USE WITHOUT BELLOW SEAL. PRESSURE RATING 700 PSI (4827 kPa), TEMP. 0° to 450° (-18° to 232°C).

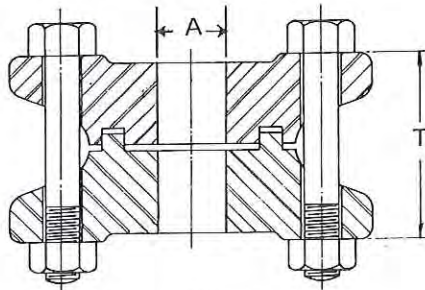
YKC 11111 - With bellow seal
 Sizes - 1/2", 3/4", 1", 1 1/4", 1 1/2", 2", 3", 4"

YKC 11111-A - Without bellow seal
 Sizes - 1/2", 3/4", 1", 1 1/4", 1 1/2", 2", 3", 4"

FLANGES



COPPER TUBE ADAPTOR FLANGES TO SUIT ALL STANDARD PIPE DIMENSIONS.



AMMONIA FLANGES OVAL, SQUARE & ROUND AVAILABLE IN BOTH SLIP-ON WELDING = YKA10011 OR SCREWED = YKA10012



| | | | | | | | |
|---|--------|--------|-------------|--------|--------|--------|--------|
| A | 1/2" | 1/2" | 3/4" | 1" | 1 1/4" | 1 1/2" | 2" |
| T | 1 1/2" | 1 3/4" | 2" | 1 7/8" | 2 1/8" | 2 1/8" | 2 1/2" |
| A | 2 1/2" | 3" | 3 1/2" & 4" | | 5" | 6" | 8" |
| T | 2" | 3" | 3 3/8" | | 2 1/2" | 2 1/2" | 3" |

"A" Dimension suits all standard Ammonia pipe.

WELD FLANGES - YKAF 10011
 Sizes - 1/4" - 3/8" - 1/2" , 1/2", 3/4", 1", 1 1/4", 1 1/2", 2", 2 1/2", 3", 4", 5", 6", 8"

SCREWED FLANGES - YKAF 10012
 Sizes - 1/4" - 3/8" - 1/2" , 1/2", 3/4", 1", 1 1/4", 1 1/2", 2", 2 1/2", 3", 4", 5", 6", 8"

ADAPTOR FLANGES
 Mild Steel Copper Plated for Solder Connections.
 Sizes - 1/4" - 3/8" - 1/2" , 1/2", 3/4", 1", 1 1/4", 1 1/2", 2", 2 1/2", 3", 4", 5"

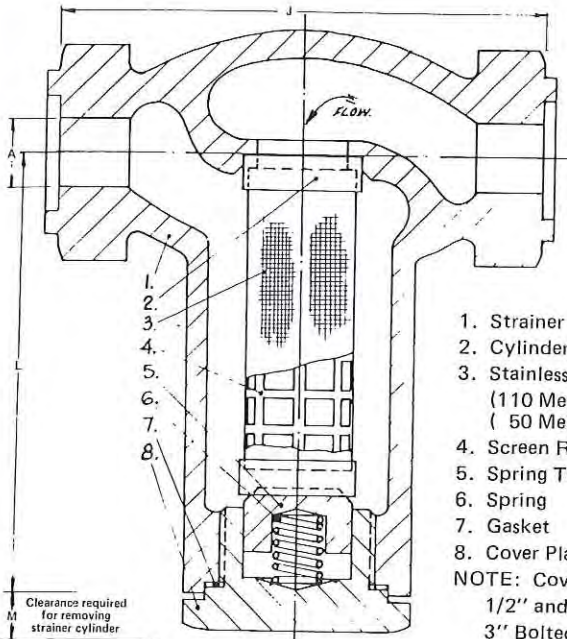
All Flanges supplied in Pairs

ORDERING PROCEDURE : REFER TO PAGE 221-a AND QUOTE CATALOGUE NO. OF ITEM REQUIRED

WE WILL BE GLAD TO QUOTE ON LARGE QUANTITIES



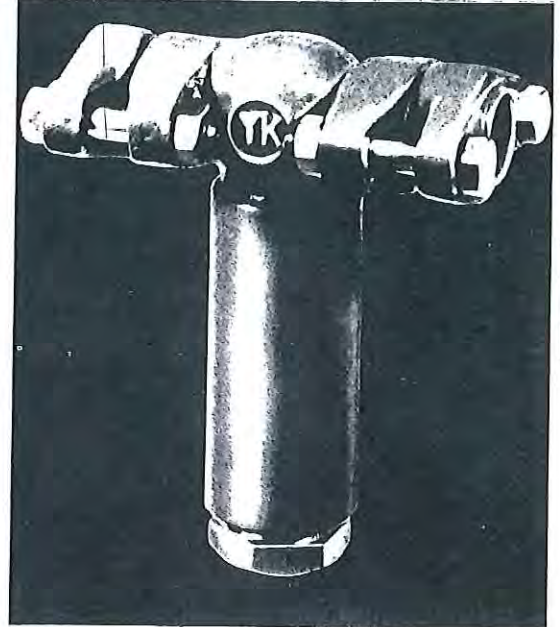
"T" STRAINERS FOR AMMONIA - R12 - R22 - R502



1. Strainer Body
 2. Cylinder End Ring
 3. Stainless Steel Screen (110 Mesh - Liquid / 50 Mesh - Suction)
 4. Screen Reinforcement
 5. Spring Tension Sleeve
 6. Spring
 7. Gasket
 8. Cover Plate
- NOTE: Cover Plate for 1/2" and 3/4" Screwed 3" Bolted

| | | | |
|---|--------|--------|---------|
| A | 1/2" | 3/4" | 3" |
| J | 3-1/4" | 5-3/8" | 11-1/4" |
| L | 4-5/8" | 5-5/8" | 7" |
| M | 5" | 6-1/4" | 8-1/2" |

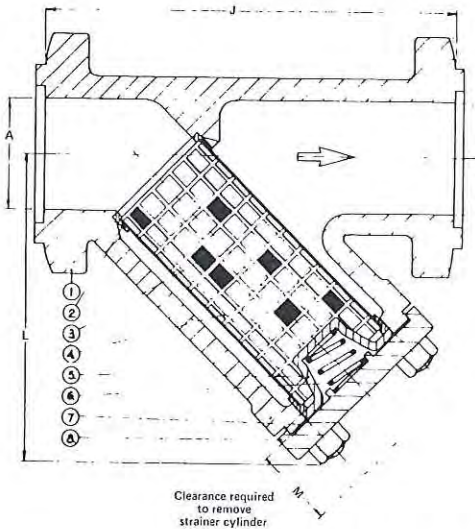
ALL LINE STRAINERS COMPLETE WITH COMPANION FLANGES. STRAINERS CAN BE COUPLED TO STOP AND SOLENOID VALVES AS ONE UNIT.



YKAF14001

3

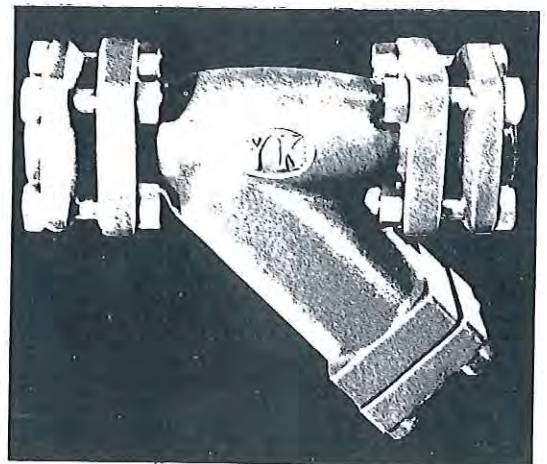
"Y" STRAINERS FOR AMMONIA - R12 - R22 - R502



1. Strainer Body
 2. Cylinder End Ring
 3. Stainless Steel Screen (110 Mesh - Liquid / 50 Mesh - Suction)
 4. Screen Reinforcement
 5. Spring Tension Sleeve
 6. Spring
 7. Gasket
 8. Cover Plate
- NOTE: Cover Plate for 1/2" and 3/4" Screwed 1" - 2-1/2" Bolted

| | | | | | |
|---|--------|--------|--------|--------|--------|
| A | 1" | 1-1/4" | 1-1/2" | 2" | 2-1/2" |
| J | 5-5/8" | 7-1/4" | 7-1/4" | 7-3/4" | 9-5/8" |
| L | 5-1/2" | 5-3/4" | 5-3/4" | 7" | 7-1/2" |
| M | 6-3/4" | 6-3/4" | 6-3/4" | 6-3/4" | 7-3/8" |

"Y" TYPE STRAINERS (SERIES 2) DESIGNED FOR MINIMUM PRESSURE DROP TO SUIT SUCTION LINE AND LIQUID RECIRCULATION DUTY. ALL STRAINER CYLINDERS INTERCHANGEABLE WITH (SERIES 1) "T" TYPE.



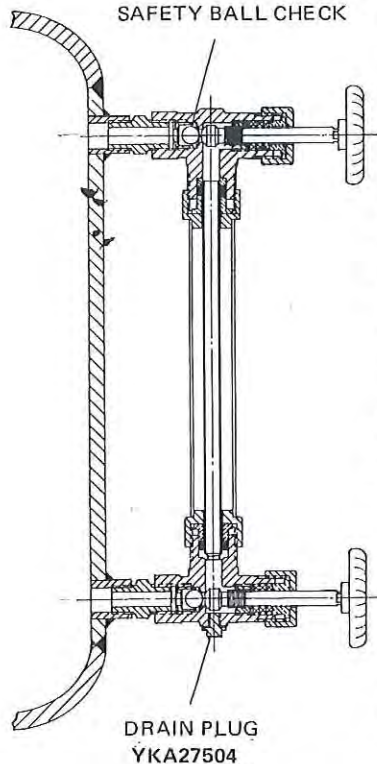
YKAF15001

ORDERING PROCEDURE : REFER TO PAGE 221-a AND QUOTE CATALOGUE NO. OF ITEM REQUIRED

OUR BIG SELECTION ANSWERS YOUR EVERY NEED AND PRICED RIGHT TOO



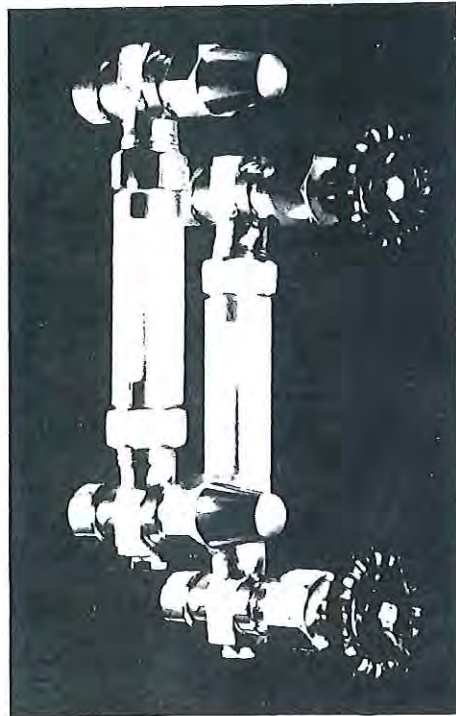
1/2" LIQUID LEVEL GAUGE VALVES FOR AMMONIA - R12 - R22 R502



FORGED STEEL VALVE BODIES WITH HARDENED SPINDLE. SAFETY BALL CHECK AUTOMATICALLY SHUTS OFF ESCAPING GAS WHEN GLASS TUBE IS BROKEN. VALVES ARE OF BACK SEATING DESIGN ENABLING GLANDS TO BE REPACKED WITH VALVES UNDER PRESSURE. CLEAR PLASTIC GAUGE GLASS GUARDS. LENGTH OF GUARD = CENTRE DISTANCE OF VALVES MINUS 4 3/4". LENGTH OF GLASS = CENTRE DISTANCE OF VALVES MINUS 2 1/2". VALVES FOR R12, R22, R502 ETC. SUPPLIED WITH SEAL CAP NUTS.

NOTE : VALVE SPINDLE SHOULD BE IN FULLY OPEN POSITION TO ENSURE RESEATING OF SAFETY BALL CHECK. 1/2" BSP CONNS.

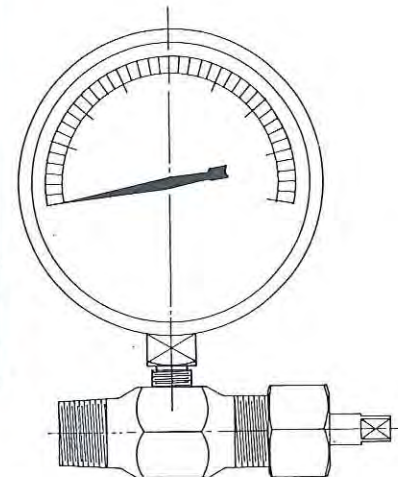
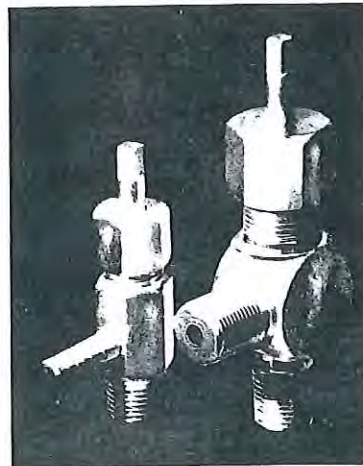
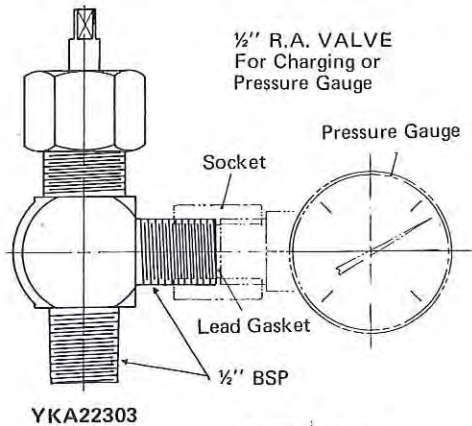
- AMMONIA**
 YKA 27500 - pair Valves
 YKA 27504 - pair Valves complete with Tube Guard to 3' centre.
- R12, R22, R502 etc.**
 YKF 27500 - pair Valves
 YKF 27504 - pair Valves complete with Tube Guard to 3' centre.



YKF27504

YKA27504

1/2" R.A. CHARGING - PRESSURE GAUGE - AIR PURGE VALVES



YKA22703

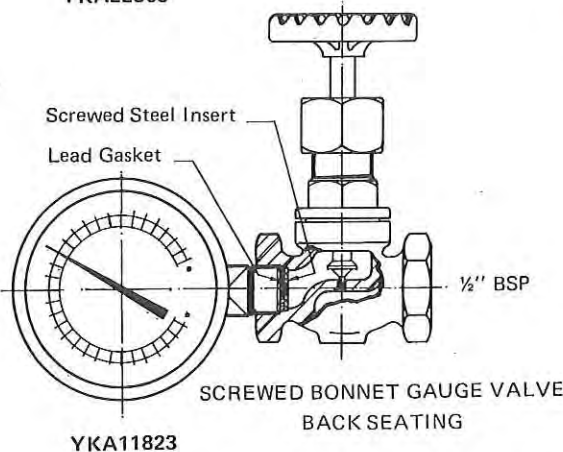
1/8" x 1/2" BSP

1/2" AIR PURGE VALVE

PRESSURE GAUGE VALVES

VALVES ARE FITTED WITH HARDENED NEEDLE TYPE SPINDLES TO REDUCE PULSATIONS IN GAUGE BODIES SCREWED 1/4" x 3/8" - 1/2" BSP INLET. 1/4" BSP OUTLET.

YKA22803

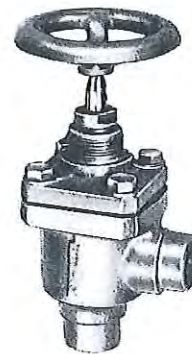


ORDERING PROCEDURE : REFER TO PAGE 221-a AND QUOTE CATALOGUE NO. OF ITEM REQUIRED

Sabroe valves

CATALOGUE NUMBER SUMMARY PAGE - FOR ORDERING PURPOSES

| CAT.NO. | VALVE TYPE | SIZE | P/N |
|---------|--------------|--------|----------|
| 2221 | SW ANGLE | 3/8" | 2411-001 |
| 2222 | " | 1/2" | 2411-002 |
| 2223 | " | 3/4" | 2411-003 |
| 2224 | " | 1" | 2411-004 |
| 2225 | " | 1-1/4" | 2411-005 |
| 2226 | " | 1-1/2" | 2411-006 |
| 2227 | " | 2" | 2411-007 |
| 2228 | " | 2-1/2" | 2411-103 |
| 2229 | " | 3" | 2411-104 |
| 22210 | " | 4" | 2411-019 |
| 22211 | " | 5" | 2411-020 |
| 22212 | " | 6" | 2411-021 |
| 22213 | " | 8" | 2412-005 |
| 22214 | " | 10" | 2412-006 |
| 22215 | " | 12" | 2412-009 |
| 22216 | SSW STRAIGHT | 1" | 2411-008 |
| 22217 | " | 1-1/4" | 2411-009 |
| 22218 | " | 1-1/2" | 2411-010 |
| 22219 | " | 2" | 2411-011 |
| 22220 | " | 2-1/2" | 2411-105 |
| 22221 | " | 3" | 2411-106 |
| 22222 | " | 4" | 2411-029 |
| 22223 | " | 5" | 2411-030 |
| 22224 | " | 6" | 2411-031 |



ANGLE VALVE, TYPE SW



STRAIGHT VALVE, TYPE SSW

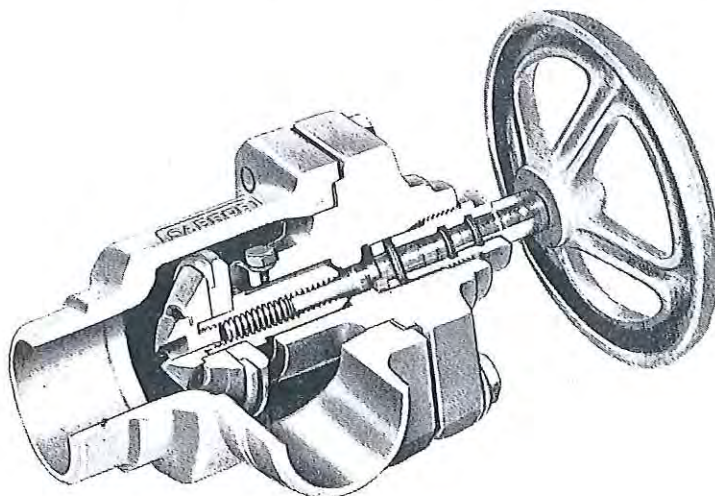
REFER TO FOLLOWING TECH. PAGE FOR GENERAL SPECIFICATIONS AND SELECTION DATA

SABROE SW

SABROE's production programme also includes a complete series of stop valves, type S, in sizes from 6 to 150 mm.

The stop valves are suitable for all refrigerants and all non-corrosive liquids and gasses.

Detailed pamphlet is available on request.



Sabroe valves for all refrigerants and all non-corrosive liquids and gases

SABROE S-valves are designed to meet the high quality and strict rules which the international Classification Societies specify for refrigeration installations.

SABROE S-valves are all-steel and can be used for all refrigerants and other non-corrosive liquids and gases.

The high technical quality is testified by the following details:

spindle

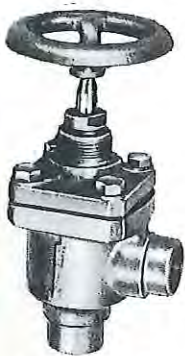
- polished stainless steel: perfect for O-ring sealing
- no axial movement: dirt cannot be carried into the packing gland
- in fully opened position the valve is back-seated: spindle packing may be replaced during operation
- spindle packing, normal: neoprene O-rings, 200°C to minus 30°C
low temperature: teflon U-ring 200°C to minus 50°C

valve cone

- secured against turning: best condition for permanent tightness
- teflon tightening ring: perfect tightness at minimum closing momentum by hand
- built-in metallic stop: prevents damage to tightening ring, if the valve is closed by too much force

valve housing

- with welding branches for direct welding into steel pipes (the internal part of the valve is easily removed during welding to avoid possible damage to tightening ring)
- made from special steel approved for operation at low temperatures test
- pressure tested at 48 ato (kp per sq.cm)
- tightness tested at 24 ato (kp per sq.cm)



ANGLE VALVE, TYPE SW



STRAIGHT VALVE, TYPE SSW



STRAIGHT VALVE, TYPE SSWH



ANGLE VALVE, TYPE SWH



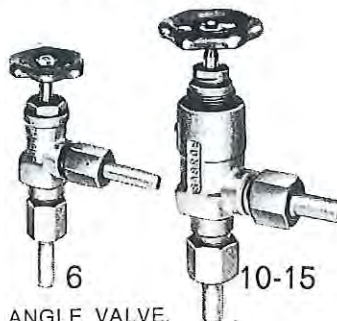
ANGLE VALVE, TYPE SNH



ANGLE VALVE, TYPE SNL



ANGLE VALVE, TYPE SWL



ANGLE VALVE, TYPE SN



STRAIGHT VALVE, TYPE SSWL

S-VALVES, EXPLANATION OF TYPE NOMINATION

SN angle valve with welding nipple (N), union nut and hand wheel
 SW angle valve with welding branches (W) and hand wheel
 SSW straight valve (S) with welding branches (W) and hand wheel

..H similar to above mentioned, but with cap (H) instead of hand wheel
 ...H do.

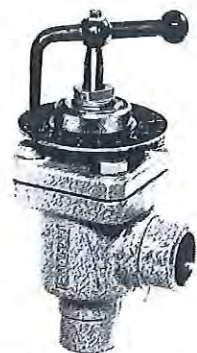
..L similar to above mentioned, but with hand wheel and extended spindle (L) with special packing for low temperatures
 ...L do.

APPLICATION

Valves which are operated regularly. Temperatures from 200°C to minus 30°C

Service valves which are infrequently operated. Temperatures from 200°C to minus 50°C

Valves which are operated regularly, and specially for use in insulated pipelines. Temperatures from 200°C. to minus 50°C



HAND REGULATING VALVE, TYPE RW

Hand regulating valves type RW are identical in design and quality to valve type SW and can be used under the same operating conditions to obtain fine adjustment of the mass flow.

ORDERING PROCEDURE : REFER TO PAGE 222 AND QUOTE CATALOGUE NO. OF ITEM REQUIRED

MANUFACTURERS LITERATURE AVAILABLE ON APPLICATION

SECTION 4 — "ORANGE" INDEX

— A —

| | |
|---|-------------------|
| Accessories - Cabinet | 230/231 |
| Accumulators | 302-a |
| Adhesive/Sealant (Z-Bond) | 231-a |
| Adhesives | 231-e,i,j |
| Air Cooled Condensers | 291-f,g/292-d/295 |
| Air Cooled Condensers - Coils | 295 |
| Air Curtains | 304/304-a,b,c |
| Aluminium Sealer (Red Epoxy) | 231-d |
| Automotive Air Cond.Compressors | 260-a |

— B —

| | |
|-------------------------------------|-------------|
| Batts - Insulation | 232 |
| Beer Coolers | 300 |
| Belts - Vee | 279/279-a,b |
| Beverage Coolers | 300 |
| Beverage Coolers - Valves | 300 |
| Blankets - Insulation | 232 |
| Burners - Kerosene | 230 |

— C —

| | |
|---|---|
| Cabinet Accessories | 230/231 |
| Cabinet Hardware | 233/233-a to e 236/236-a |
| Cabinet Switches | 231 |
| Caulking Compounds | 231-a,f |
| Cleaner - Condenser Tube | 297-a |
| Clips - Shelf | 230 |
| Coils - Air Cooled Condensers | 295 |
| Compressor: | |
| Change Over Service (Coldstream) | 255 |
| Cross Reference (L'Unite Hermetique/Kirby) | 258-e |
| Parts | 265 to 272-c/278/ 278-a |
| Replacement Chart (Kirby-Tecumseh) | 258-a |
| Specifications | 249/250/251 |
| Compressors | 257 to 258-d/260/ 260-a/262/262-b |
| Compressors & Condensing Units | 253/254/255/262 |
| Condenser: | |
| Air Cooled | 291-f,g/292-d/295 |
| Air Cooled Coils | 295 |
| Tube Cleaner | 297-a |
| Water Cooled | 297/297-a |
| Condensing Units | 253/254/255/259/ 259-a,b,c,d/262/ 262-a,b/263/264 |
| Coolers: | |
| Forced Draft | 291 to 294 |
| Forced Draft - Parts | 291-h/294 |
| Cool Room Equipment Selection | 290 |
| Cool Room Hardware | 233 to 236-a |
| Coolers - Beverage | 300 |
| Cooling Towers | 298 |
| Copeland Compressor Spare Parts | 278/278-a |
| Cross Fin Evaporators | 299 |
| Curtains - Air | 304/304-a,b,c |

— D —

| | |
|--|-------|
| Deodorisers | 231 |
| Discharge Mufflers | 301-a |
| Domestic Refrigerator Switches | 231 |

— D — (Cont'd)

| | |
|--------------------------------------|---------------|
| Door — | |
| Gaskets | 239/240/240-a |
| Gaskets - Magnetic | 240-a |
| Switches | 231 |
| Drop-In Refrig. Units | 261/261-a,b,c |
| Duct — | |
| Insulation | 232 |
| Tape | 231-h |
| Ducting-Flexible/Insulated | 238 |

— E —

| | |
|---|-------------|
| Epoxy Repair — Compounds/Kits | 231-c,d,i,j |
| Equalizer Tanks | 302 |
| Evaporators - Cross Fin | 299 |

— F —

| | |
|--|------------|
| Fan Coil Units | 303 |
| Fasteners - Partition | 233-e |
| Fibreglass Insulation | 232 |
| Flexible Ducting | 238 |
| Float Chamber - Oil Return | 301-a |
| Float - High Side | 301-a |
| Forced Draft Coolers | 291 to 294 |
| Forced Draft Coolers - Parts | 291-h/294 |
| Freezer Shelves | 299-a |

— G —

| | |
|--------------------------------------|---------------|
| Gasket Material | 271 |
| Gasket Sealant | 231-c,f,j |
| Gaskets — | |
| Cabinet - Refrig. | 239/240/240-a |
| Door - Refrig. | 239/240/240-a |
| Magnetic Door | 240-a |
| Service Valve | 271 |
| Glasses - Kerosene Burners | 230 |
| Globes - Electric Light | 231 |

— H —

| | |
|--------------------------------------|--|
| Handles | 233-d |
| Hardware — Refrig./Cabinet | 233/233-a,b,c,d,e,f,g,h,i 236/236-a |
| Heat Exchangers | 291-f/302-b |
| Hermetic Compressors | 257/258/258-b,c,d/ 262-b |
| Hermetic Condensing Units | 259/259-a,b,c,d/ 262-a,b/263/264 |
| High Side Float | 301-a |
| Hinges | 233-b,c,f/236/236-a |

— I —

| | |
|--|-------------------|
| Ice Cube Trays | 231 |
| Insulated Flexible Ducting | 238 |
| Insulation — | |
| Batts, Blankets, Duct, Rolls, Sheets, Board | 232 |
| Foam | 232-a/242/242-a,b |
| Mastic | 231-e |
| Tape | 231-g,h |

SECTION 4 — "ORANGE"

INDEX (Cont'd)

— J —

Joint Sealer 231-a,b,c,d,f

— K —

Kerosene — Burners, Glasses, Wicks 230

— L —

Latches 233/233-d,e,g
 Leaks - Repair Compounds 231-a to f,i,j
 Light Globes 231
 Liquid Receivers 302
 Locks, Lock Sets 233/233-a,e,f,g,h
 Loctite Products 231-i,j

— M —

Magnetic Door Gaskets 240-a
 Magnetic Locks & Latches 233-e
 Mastic —
 Insulation 231-d,e
 Thermal 231-e
 Muffler - Discharge 301-a

— O —

Oil —
 Leaks - Repair Compound 231-c
 Level Regulator 301
 Reservoir 301
 Return Float Chamber 301-a
 Separators 301

— P —

Packaged Refrigeration Units 261/261-a,b,c
 Partition Fasteners 233-e
 Pipe Thread Compounds 231-b,d,f,i,j
 Pistons - Compressor Parts 265/266
 Piston Rings 265/266
 P-Traps — Suction Line 302
 Push-In Refrigeration Units 261-a,b,c
 Push-Up Refrigeration Units 261-a,b,c

— R —

Receivers - Liquid 302
 Refrigeration Hardware 233/233-a to h
 236/236-a
 Refrigerator —
 Door Gaskets 239/240/240-a
 Switches - Cabinet 231
 Regulator - Oil Level 301
 Reservoir - Oil 301
 Rockwool Insulation 232
 Rolls - Insulation 232

— S —

Sealant/Adhesive (Z-Bond) 231-a
 Sealants 231-a,b,c,d,f,i,j
 Separators - Oil 301
 Service Valve Gaskets 271
 Shelf — Clips/Supports 230
 Sheets - Insulation 232
 Shelves - Freezer 299-a
 Silicone Sealants (Z-Bond) 231-a
 Slide-In Refrigeration Units 261-a,b,c
 Spare Parts - See Compressor Parts
 Sprays & Spray Caps 298
 Strikes (Lock) 233/233-a,d,e,g,h
 Suction Line Accumulators 302-a
 Suction Line P-Traps 302
 Supports - Shelf 230
 Switches - Door - Cabinet 231

— T —

Tanks - Equalizer 302
 Tape —
 Aluminium Foil, Black Polythene,
 Foam-Sealing, Foil Insulation, Masking,
 Plasticised PVC, Polypropylene,
 Packaging, PVC Transparent,
 Transparent Cellulose, Thread
 Sealing 231-c,d,f,g,h
 Thermal —
 Insulation - See Insulation
 Paste 231-e
 Thread Sealing —
 Compounds 231-b,d,f,i,j
 Tape 231-f
 Towers - Cooling 298
 Traction Locks 233/233-a,e,g,h
 Traps - P (Suction Line) 302
 Trays - Ice Cube 231

— V —

Valve Gaskets - Service 271
 Valves - Beverage Coolers 300
 Valves - Compressor 269/270/271/272/
 272-a,b,c
 Vee Belts 279/279-a,b

— W —

Water Cooled Condensers 297/297-a
 Wedge Type Lever 233-f
 Wicks - Kerosene Burners 230

— Z —

Z-Bond Silicone Sealants 231-a

CABINET ACCESSORIES AND PARTS

SPECIAL DOMESTIC CABINET PARTS

Orders for special domestic cabinet parts will be welcomed and receive our very prompt attention. Delivery will be made as specified on the order subject, of course, to availability.

To ensure that correct parts are supplied at all times, so avoiding costly delays and returns, it is **ESSENTIAL** that the following information be supplied —

1. **ACCURATE DESCRIPTION** of the part or parts.
2. **COLOUR** of part if applicable.
3. Whether **RIGHT HAND** or **LEFT HAND** opening if door parts.
4. **MAKE AND MODEL** of the refrigerator **TAKEN FROM THE NAMEPLATE.**

IF THE ABOVE INFORMATION IS NOT SUPPLIED YOUR ORDER MAY HAVE TO BE REFERRED BACK.

KEROSENE BURNERS WICKS AND GLASSES

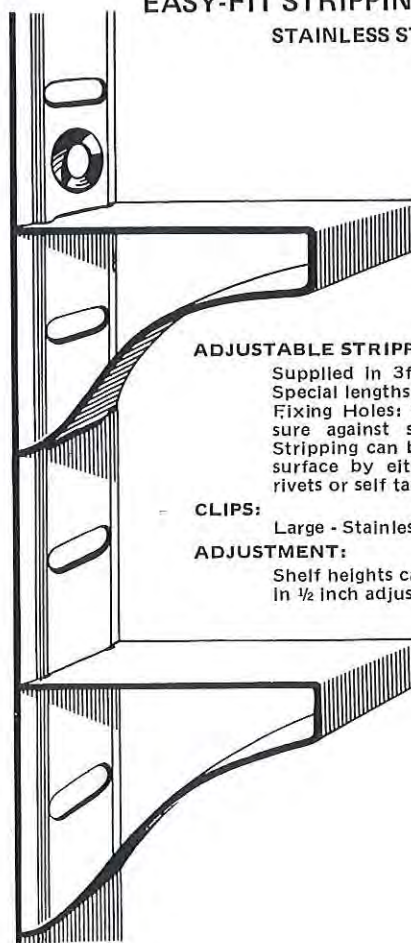


| CAT.NO. | DESCRIPTION | SUITS |
|---------|-------------------|---|
| 2301 | Burner Assy. | Cold Flame, Electrolux, Prefect, Silent Knight etc. |
| 2302 | Wick | |
| 2303 | Wick—12yd. Lgth. | |
| 2304 | Burner Glass | |
| 2305 | Burner Assy. | Kelvinator Icemaster, Dominion, Etc. |
| 2306 | Wick | |
| 2307 | Burner Glass | |
| 2308 | Flue Brush | Airstream " " " |
| 2309 | Glass Metal Rings | |
| 23015 | Wicks No. 21 | |
| 23016 | Burner Glass | |
| 23022 | No. 16 Glasses | |
| 23023 | Wicks, No. 16 | |

WE ARE AS
NEAR AS YOUR
NEAREST TELEPHONE



EASY-FIT STRIPPING AND CLIPS STAINLESS STEEL



ADJUSTABLE STRIPPING:

Supplied in 3ft., 4ft., or 5ft. lengths.
Special lengths on application.
Fixing Holes: Spaced 5½" apart en-
sure against sag away from walls.
Stripping can be fixed to almost any
surface by either wood screws, pop
rivets or self tappers.

CLIPS:

Large - Stainless Steel.

ADJUSTMENT:

Shelf heights can be raised or lowered
in ½ inch adjustments.

| CAT. NO. | DESCRIPTION |
|----------|-------------------------------------|
| 23026 | Adjustable Supports — 3ft. Lengths. |
| 23027 | Adjustable Supports — 4ft. Lengths. |
| 23028 | Adjustable Supports — 5ft. Lengths. |
| 23037 | Large Clips. |

CABINET ACCESSORIES AND PARTS



DOOR & CABINET SWITCHES

| CAT. NO. | TYPE | PLUNGER | | SWITCH ACTION |
|----------|------|------------------|--------|-----------------------|
| | | LENGTH | COLOUR | |
| 233133 | S30 | 1/4" | White | SPST Press Off |
| 233122 | S30 | 7/16" | | |
| 233123 | S30 | 9/16" | | |
| 233120 | S31 | 1/4" | | |
| 233121 | S31 | 9/16" | | |
| | S32 | On Applic. | | |
| 233130 | S40 | 3/8" | | |
| 233131 | S40 | 7/16" | | |
| 233132 | S40 | 1/2" | | |
| 233137 | S50 | 9/16" | | |
| | S30 | Hex. Nuts | | |
| | S31 | Push-in Retainer | | |



INTERIOR LIGHT GLOBES

| Cat. No. | Watts | Volts | Conn. | Type |
|----------|-------|-------|-------|------------|
| 23113 | 15 | 240 | BC | Gen. Purp. |
| 23114 | 15 | 240 | ES | Gen. Purp. |
| 23115 | 15 | 240 | BC | Pilot |
| 23116 | 15 | 240 | ES | Pilot |
| 23117 | 15 | 240 | S-BC | Pilot |
| 23118 | 15 | 240 | S-ES | Pilot |

SWITCHES FOR DOMESTIC REFRIGERATORS – KELVINATOR – LEONARD – HMV

| Cat. No. | BIN NO | PART NO | TYPE | PRODUCT MODEL |
|----------|--------|----------|----------------|--|
| | Z41 | KA13715 | Light | NHC.208, 209, 217, 218, 219, 225, 226, 227, 229, 245, 267, 269, 275, 419, 429, 439, 449, 465, 467, 469, 476, 477, 485. Now use PC267. |
| | Z43 | KA8541 | Light | SAS5, ASD7, AS6. Now use PC267. |
| 23124 | Z44 | KA8543 | Light | AS5, ASB5, AS7, ASB7, M5W. Now use PC267. |
| 23124 | PC267 | KA23403 | Light | 209, 211, 219, 221, 230, 241, 250, 271, 489, 689. Metal |
| 23127 | PC418 | KA25717 | Light | 212, 213, 214, 215, 224, 230, 232, 241, 252, 271, 272, 453, 462, 463, 482, 489, 653, 682, 689, 993. Now use PF774. |
| 23125 | PD508 | KA32747 | Light | 216, 276, 318, 348, 368, 377, 378, 379, 456, 539, 557, 558, 560, 570, MO90VA. Now use PF774. |
| | PD78 | KA27115 | Light | 493, 496, 693, 694, White Plastic. Now use PD472. |
| 23126 | PD472 | KA32748 | Light | 466, 476/66, 486, 676, 686, 976, 387, 388, 508, 509, 518, 519, 568, 577, 578, 579, 580, 588, P100VA, P100WA, C124SA, C124VA, C124WA, 250PV3, P250TC, P250VC, P250YC, 250MV3, M250VC. Grey Plastic. |
| 23125 | PF774 | KA41882 | Light | 769, C125RB, C125WB, P138NA, P138RA, P138VA, M138WA, C144HA, C144NA, C144WA, C144SB, C180GA, C180WA, 340CR3, C340RC, C340TC, C340YC, C340ZC, 340CR6, C340RF, C340SE, 380CH3, C380HC, C380NC, C380SC, C380TC, C380SE, 480CG3, C480GC, C480NC, C480SC, C480SE, N610FF. |
| 23129 | PL299 | 1227756 | Light | N450GC, N400GC. Now use PL94. |
| 23129 | PL94 | 1229158 | Light | 400NG3, 450NG3, N450GC, 500NG3, N500GC, 620NG3, N620GC. |
| | PK70 | 2171-005 | Light | C350VC. |
| | CZ864 | 203825 | Light | 310CH6, C310HF, 360CH5, C360HE, 370CH6, C370HF, 410CH6, C410HF. |
| 23127 | PF229 | KA36856 | Light & Fan | 770, 778, 779, 788, 789, 888, N144FA, N144GA, N144WA, N144WB, N180FA, N180SA, N180SB, N220EB, N220FA, 360PR3, P360RC, 360MV3, M360VC, 360MV6, M360VF, 360PR6, P360RF, 380NF3, N380FC, N380GC, N380TC, N380YC, 380NF6, N380FF, 480NF3, N480FC, N480TC, 510NF4, N510FD, 510NF6, N510FF, 600NE3, N600EC, 610NE5, N610EE, 610NF6, N610FF. |
| | PD525 | KA32746 | Freezer Fan | 486, 508, 509, 519, 588, 676, 686, 770, 778, 788, 976. Now use PD184. |
| 23128 | PD184 | KA27616 | Freezer Fan | 496, 694, 779, 993, N144GA, N144WA, N144WB, N180SA, N180SB, N380GC, N380TC, N380YC. White Plastic. |
| | PF315 | KA36802 | Butter Heat | 508, 578, 580, 588, 788, 789, 888, C124WA, C125WB, P138NA, C144HA, C144NA, N144FA, N144WA, N144WB, C180GA, C180WA, N180FA, N180SB, N220FA, N220EB, C340VC, C340ZC, C340SE, 380CH3, C380HC, C380NC, C380SC, C380TC, C380SE, 480CG3, C480GC, C480SC, C480SE, 480NF3, N480FC, N480TC, 510NF4, N510FD, 600NE3, N600EC, 610NE5, N610EE, C480NC. |
| | PJ127 | KA55003 | Butter Heat | 380NF6, N380FF, 340CR6, C340RF, 510NF6, N510FF, 610NF6, N610FF. |
| | CZ871 | 203832 | Butter Heat | 310CH6, C310HF, 360CH5, C360HE, 370CH6, C370HF, 410CH6, C410HF. |
| | PH30 | KA49451 | Summer & Wint. | 360MV3, M360VC, 360MV6, M360VF, 360PR3, P360RC, 360PR6, P360RF. |
| | CZ236 | 337094 | Fast Freeze | AHF162, AHF224, H430GC, H600GC. |
| | CF57 | 10-221 | Fast Freeze | F330LD. |

I-SOL-ATE DEODORISERS

I-Sol-Ate by its absorbing action enables RAW FISH, MEAT, GARLICK, ONIONS, PINEAPPLE, CHEESE, ETC. to be stored together without the odour of one contaminating the other.

I-Sol-Ate has an active life of approx. 6 months, at which time the container should be re-placed.

2 oz. Containers

CAT. NO. 2312

ICE CUBE TRAYS

CAT. NO.



Available on application.



Silicone Sealants of the 80's 231-a

Modern design and technological change within the building, construction and allied industries require that silicone sealants are long lasting, versatile and capable of performing to a high degree of efficiency over a wide spectrum of applications.

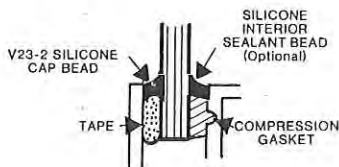


**RTV
Acetic Cure
Silicone Sealant
V23-2**



Multi Purpose Glass & Ceramics

Z BOND V23-2 is a one component R.T.V. curing silicone sealant that will provide a joint seal to a variety of construction components such as aluminium, glass, wood and ceramic tiles. V23-2 was however especially designed for use within the glazing and allied industries, and has been used to provide the seal between aluminium/aluminium in high rise curtain walling fabrication. The sealant is ideal for use in glass suspended glazing systems where a highly elastomeric sealant is required to accommodate the extreme movement factor which is often experienced in this application. The sealants weatherability characteristics enable it to retain the design properties even after years of exposure to the effects of ultraviolet, rain, and temperature extremes. The adhesion and elongation properties of V23-2 ensure joint seals are weatherproofed against the elements.



EXTERIOR GLAZING

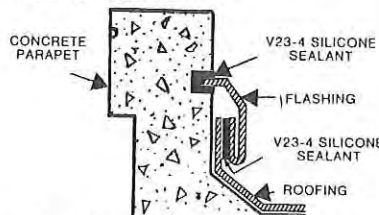


**RTV
Low Modulus
Non Acetic
Silicone Sealant
V23-4**



Masonry & Metal Expansion Joints

Z BOND V23-4 is a one component neutral cure low modulus silicone sealant which has been specifically designed for exterior jointing applications where a premium seal is required. The low modulus characteristics inherent to V23-4 ensures that the sealant has excellent recovery properties, which reduces considerably stresses which occur when jointing components are subjected to severe expansion/contraction that are common in critical areas on high rise structures. V23-4 is capable of accommodating cyclic movement up to $\pm 25\%$ of original joint width without any adverse affect on the sealant. Fig. 1 To ensure maximum performance of sealant to expansion joints, correct proportions in relation to width and depth are extremely important, see Fig. 2. Due to the neutral cure of V23-4 there is no acetic release during curing and therefore V23-4 will not cause chemical interaction when used on coated steels (zincalume type cladding), concrete, cement based masonry and limestone. V23-4 is virtually unaffected by severe sunlight, rain, frost and airborne pollutants.



FLASHING ON STONE CORNICE



**RTV
Non Acetic
Silicone Sealant
V23-60**



Zincalume & Metal Cladding

Z BOND V23-60 is a one component neutral curing silicone sealant that is rapid curing and can be used to provide a premium seal to almost all metal roofing and siding components including coated steel, i.e. zincalume, aluminium, galvanized iron, lead and copper. The sealant has been fully approved by John Lysaght for use as a jointing sealant for use with their building components. V23-60 unlike some other rapid curing types is a neutral cure system and subsequently will not cause rusting or corrosion to metal building components. When cured V23-60 exhibits excellent bonding qualities, and will dry to a clear joint line thus ensuring versatility, and a "no mess" sealant junction. Another use of V23-60 is the caulking of laminated glass panels where butt jointing is required. The sealant is capable of withstanding cyclic movement up to $\pm 25\%$ of original joint width. Fig. 1 The sealant will not crack or craze and has excellent weathering properties.



ROOF RIDGE SEAL



RIVETED OR NAILED LAP SEAM

FIG. 1 TOTAL JOINT MOVEMENT
= 10mm in 20mm JOINT = 50% TOTAL MOVEMENT

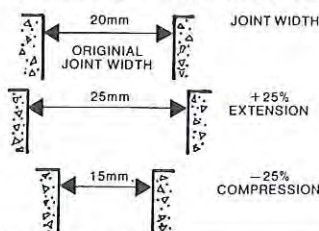
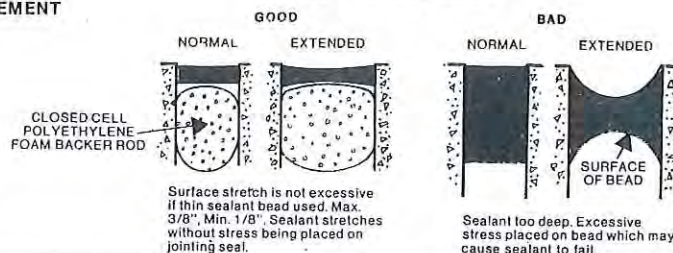


FIG. 2 JOINT DESIGN



| | | |
|------------------------|----------------|-----------------|
| Z-BOND V23 - 2 | Z-BOND V23 - 4 | Z-BOND V23 - 60 |
| CAT. NO. 2319 | CAT. NO. 23145 | CAT. NO. 2311 |
| CARTRIDGE GUN Model S4 | | |
| CAT. NO. 23110 | | |

LA~CO SEALANTS

FOR REFRIGERATION, HEATING & PLUMBING INDUSTRIES on any threaded pipe or fitting

APPLICATION CHART LA-CO PIPE THREAD COMPOUNDS

X = Recommended Use

| | T-O-T | PIPE-TITE-STIK | OXY-TITE | SLIC-TITE TEFLON PASTE & STIK |
|--------------------|-------|----------------|----------|-------------------------------|
| WATER | X | X | X | X |
| GAS | X | X | X | X |
| STEAM | X | X | X | X |
| AIR | X | X | X | X |
| BUTANE | | X | | X |
| PROPANE | | X | | X |
| GASOLINE | | *X | | X |
| OILS | | *X | | X |
| ACIDS | | *X | | X |
| ALKALIES | | | X | X |
| FREON 12 & 22 | | *X | | X |
| AMMONIA | | *X | X | X |
| SO ₂ | | *X | | X |
| BRINE | | X | X | X |
| ALCOHOL | | X | | X |
| ALIPHATIC SOLVENTS | | *X | | X |
| AROMATIC SOLVENTS | | | | X |
| PERCHLORO-ETHYLENE | | | | X |
| KETONES | | | | X |
| ESTERS | | | | X |
| OXYGEN | | | X | |

*For best results, let dry overnight after assembly.



LA-CO

PIPETITE-STIK®

PIPE THREAD COMPOUND

Universal Pipe Thread Compound. Non-toxic, positive. QUICK! Use for water, steam, oil, gas, air, refrigerants, LP gas, Freon, sulphur dioxide, ammonia, gasoline, acid, brine, tar. Easy to use... gives a positive joint every time. Contains no lead or injurious chemicals. Approved by LP Gas companies. Listed U.L. for butane, propane, gasoline.

| SIZES | Regular 11/16" x 4 3/4" | Jumbo 1 1/4" x 4 1/2" |
|----------|-------------------------|-----------------------|
| Cat. No. | 231126 | 231127 |



One quick stroke of the brush and T-O-T is on

IN THE EASY-TO-USE
BRUSH-IN-CAP CAN

LA-CO T-O-T®

Pipe Thread Compound

Siliconized for Speed Spreading

LA-CO T-O-T is non-hardening and non-toxic, contains no lead and is safe for food lines. Will not spill or drip... no waste. Use for water, steam, air, gas, dilute acids and alkalies. T-O-T is the same great product but now siliconized for even better performance.

Effective in blazing heat and freezing cold.

| SIZES | 236 ml Can | 2.2 kg Tin |
|----------|------------|------------|
| CAT. NO. | 231128 | 231129 |

OXY-TITE®

FOR OXYGEN SYSTEMS

For sealing threads on regulators, gauges, valves, piping on oxygen, oxy-acetylene systems. Use as it comes

— no mixing. Non-hardening. Permits easy disassembly, withstands pressures to 2000 psi. Meets spec. MIL-T-5542-B. Two grades available: OXY-TITE Regular and OXY-TITE Teflonized for super lubricity.



70 g Can

CAT. NO.

231132

LA-CO Slic-tite®

PASTE OF
TEFLON®
THREAD
COMPOUND

236 ml Can

CAT. NO.

231130



For high-speed production and large pipe sizes. Made of pure Teflon combined with high-grade non-reactive lubricant. Non drying. Non-toxic. Recommended for: Hydraulics, hydronics, pneumatics, process piping, air-conditioning and refrigeration, brines, ammonia, freons, fuel oils and gasoline, LP gases, solvent systems. Also for water, natural gas, steam, air. Pressures to 10,000 P.S.I. Temp. to +500° F. Not for use with oxygen.

*DuPont Registered Trademark



LA-CO Slic-tite® STIK OF TEFLON®

Universal Thread Compound for Service Men, Professional Mechanics.

So easy to use... merely rub Slic-tite Stik liberally across male threads.

- Positive seal for any metal or plastic thread application
- Designed for service and maintenance, easily carried in pocket or tool kit
- Clean, washes off easily from hands, clothing, equipment
- Contains no solvents, never hardens or dries out
- Nothing to spill, spoil, stir
- Eliminates brushes, cans, tubes and mess
- Anti-seize, prevents galling on soft aluminum, brass parts
- Non-toxic, tasteless, safe for potable water, and food systems
- Use on same applications as Slic-Tite paste above.

SIZE 11/16" x 4 3/4"

CAT. NO. 231131

LA~CO SEALANTS



LA~CO Oyltite-Stik®

STOP OIL LEAKS... WITHOUT DRAINING SYSTEM!

Applies from outside—repair completed in minutes. Use on gasoline, oil, kerosene, grease, vegetable oils, tar, cooling oils, any petroleum-based product. No tools needed. The stick itself is the applicator. For fuel storage tanks, oil-filled transformers, gear cases, transmissions, etc. U.S. Govt. Stock #8030-935-5841. Low pressure.

| | |
|------------------|-----------------|
| SIZE 11/16" x 4" | CAT. NO. 231134 |
|------------------|-----------------|

LA~CO Slic-tite™

TEFLON* CORD

TEFLON PACKING AND GASKET-SEALANT CORD
 IN *Visu-kit* "REMINDER PACK" EQUIPPED WITH SELF-CUTTER



Use for any packing or gasket application, no matter what metal, plastic, fluids or gases are involved. Slic-tite, with its fibrous construction, provides greater ease of application. It is non-toxic—safe for foods. For temperatures —450°F. to +550°F. Exclusive Visu-kit dispenses and cuts only amount needed. Sizes: 3/32", 5/32", 7/32". Lengths: up to 50'. Eliminates stocking of gasket sizes. Made of virgin Teflon.

*Trademark of DuPont Co.



Stuffing box and valve stems



Flange gasket

| CAT. NO. | SIZE — SPOOLS |
|----------|----------------|
| 231136 | 3/32" x 50 ft. |
| 231137 | 5/32" x 20 ft. |
| 231138 | 7/32" x 10 ft. |

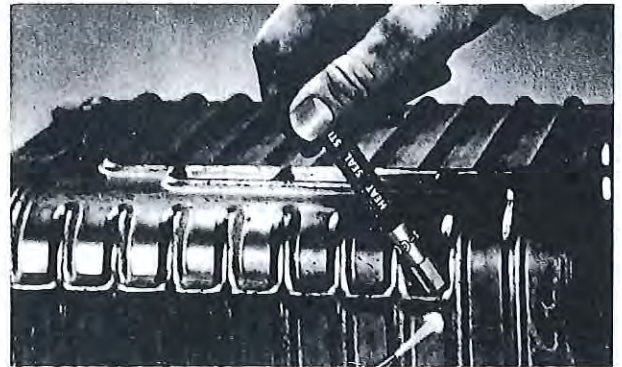


LA~CO KRAKSTIK®

STOP WATER LEAKS... WITHOUT DRAINING SYSTEM!

No heating of work or stick. Use on metal or plastic. Traps, downspouts, radiators, soil pipes, laundry tubs, holes in castings, concrete-wall seepage. For water, steam, gas, acid, brine. Low pressure. For plumbers, fitters, home repair.

| | |
|--------------|-----------------|
| SIZE 1" x 4" | CAT. NO. 231133 |
|--------------|-----------------|



4

LA~CO HEAT-SEAL Stik®

MAKES A CURED EPOXY REPAIR IN SECONDS... RESTORE SERVICE IMMEDIATELY



MELTS AND CURES IN ONE OPERATION

- Use on aluminum evaporators and tubing, welded joints, process systems, laboratory glassware
- For any metal, glass or ceramics

Seals small leaks instantly. Withstands refrigerants, oil, gas, water, air, chemicals, solvents. Use on pressure and vacuum systems. An ideal tool for refrigeration and air-conditioning servicemen, pipe-fitters, welders, laboratory technicians. An easy-to-use maintenance product for every industry. Temp. to 350° F. Pressure to 250 psi.

| | |
|--------------------|-----------------|
| SIZE 3/8" x 4 1/2" | CAT. NO. 231135 |
|--------------------|-----------------|

SEALANTS

VIRGINIA



PERMAGUM SLUGS – WHITE – SEALING COMPOUND

A heavy duty sealing compound to protect openings and seams, copper tube and hose entries against air, moisture and loss of insulating efficiency. Non-shrinking, odourless, does not harden with age. White Permagum will not attack plastics or rubber and can be painted with oil-based paints immediately after applying.

Packed : White – 2 lb. Slugs – No. PP22

CAT. NO. 231146



PERMAGUM CORDS – SEALING COMPOUND

Gray-white Permagum extruded in cords (or beaded) forms. All purpose utility sealant. Same product as white Permagum Slugs. Non-staining, odourless and never hardens. In two sizes.

Packed : 3/16" Cords – 100 Lin. ft. Rolls – No. PP33

CAT. NO. 231147

Packed : 3/8" Cords – 20 Lin. ft. Rolls – No. PP36

CAT. NO. 231148



LEAK LOCK

FLEXIBLE JOINT SEALER

SPECIALLY DESIGNED to keep joints pressure-tight under the extreme conditions of vibration, temperature variation, and corrosion normal to refrigeration and air conditioning equipment.

PERMANENTLY FLEXIBLE to absorb compressor vibration and thermal expansion and contraction that often causes failure of other joint compounds.

REMAINS UNAFFECTED by refrigerants, oils, petrol, and most chemicals, as well as low or high temperatures, moisture, or pressure.

PREVENTS LOOSENING of nuts, bolts, plugs and fittings caused by vibration, thereby keeping flare fittings pressure-tight, mechanically.

PREVENTS CORROSION and resulting "freezing" of fastenings.

EASY TO USE Leak Lock "flows on" and adheres to any clean surface, rough or smooth, and stays where it's applied : Never dries or "runs" before a joint is ready to assemble.

Pocket Size Tube

CAT. No. 231139



"super poxee"

SUPER POXEE KIT CONTAINS

- Tube Poxee No. 1
- Tube Poxee No. 2
- Vial Methyl Ethyl Ketone
- Emery cloth
- Mixing spatulas
- Aluminium foil patch

Super Poxee is a rapid set, fast cure, two part epoxy. Developed as an all purpose repair material, Super Poxee repairs or joins all — metals, plastics, glass, wood, etc. Ideal for repairing aluminium refrigerator evaporator leaks. Also recommended for repairs on boats, automobiles, household items, etc., any place that requires material strength and strong adhesion.

Super Poxee will initially set in 7 to 10 minutes and cure to 75% mechanical strength in one hour—For maximum solvent resistance to R-12 and R-22 an 8 hour cure at room ambient should be used.—NO EXTERNAL HEAT REQUIRED. Super Poxee produces its own exothermic heat which provides the ultimate in regulated heat for curing.

When used for repairing a refrigerator line, be sure system is pressure free. The aluminium foil included in the Super Poxee kit may be used to cover repair of a refrigerator evaporator improving the appearance.

It is IMPORTANT that surfaces be prepared according to instructions before mixing Super Poxee to insure time for application.

HOW TO USE

1. Clean surface with emery cloth.
2. Wash cleaned area with Methyl Ethyl Ketone using clean cloth.
3. Measure equal amounts of "Super Poxee" (1) and (2) on a clean dry surface.
4. Thoroughly mix and apply with a spatula.

CAUTION : KEEP OUT OF REACH OF CHILDREN!

No. DP-2 SUPER POXY KIT

CAT. NO. 231140

RedEpoxy[®] Aluminum Sealer

A heat-cured epoxy sealer and patching compound for use on evaporators and all metal surfaces. It is a combination of two powerful resins and incorporates a unique reaction-activated colour change that allows it to be cured with an open flame. RedEpoxy can be completely cured to 100% of its final properties in less than 5 minutes.

RedEpoxy is a two part system. One component is yellow, the other is red, and when they are mixed, a uniform red paste results.

This paste is thixotropic, has a long pot life and will wet clean metal surfaces. When heat is applied the resins react and bond to the wetted metal. As the curing reaction progresses, a decolourizing reaction proceeds simultaneously and the colour changes from red to gold. When the red colour is completely gone and the resin is gold in colour, the cure is complete. The heat is then removed and the repair allowed to cool. Curing may be carried out with a propane torch or hot-air gun.

1 oz. Kit

CAT. NO. 231154

STAYBOND A120 REFRIGERATOR MASTIC

Staybond A120 is a non-setting, non-skinning pure white mastic designed specifically for use by the Refrigerator Industry. Staybond A120 is formulated from modified synthetic rubber and selected inert pigments largely consisting of silicone and aluminium oxides, the vehicle is a high specification mineral oil. Staybond A120 has excellent handling qualities and can be easily applied by hand or with knife or trowel.

Odourless — No Taint — Non Corrosive

| CAT. NO. | PACKS |
|----------|----------------|
| 23165 | 250 ml (500 g) |
| 23166 | 2 Litre (4 kg) |
| 23167 | 40 kg Pack |



WE CAN HANDLE YOUR ORDERS AS FAST AND AS CAREFULLY AS WE CAN
WE TRY TO GIVE YOU THE VERY BEST SERVICE

MASTICS - ADHESIVES

VIRGINIA

PRESSTITE INSULATION MASTIC

A cellular emulsion recommended as a weather-proofer, for rust-preventive, and coating to stop surface condensation and dripping.

APPLICATION : Apply by brush or trowel to coat pipes, metal or wooden tanks, concrete, brick, cork and plastered surfaces.

Packed : 1 Gal. Cans — No. PM11

CAT. NO. 231149



PRESSTITE THERMAL MASTIC

A heat-conducting compound that replaces solder as a heat-transfer accelerant when coils are mechanically mounted to plates or liners. Easily and quickly applied with putty knife or caulking gun. Never hardens — will not buckle or warp plates or liners. Increases heat transfer nearly four times the rate obtained with mechanical mounting only.

Packed : 1 Gal. Cans — No. PM21

CAT. NO. 231150



4

PETROCHEM MASTIC "E"

An emulsified bitumen based odourless mastic adhesive with similar properties to Petrochem Hi-Tak but slower in drying. Also suitable for vapour sealing and pipe lagging. Impervious to most chemicals, salts, etc.

23 Litre Containers

CAT. NO. 231172

PETROCHEM "HI-TAK"

Emulsion type semi-contact, non-inflammable, non-toxic, adhesive — waterproof when set.

Suitable for the adhesion of Polyurethane, Polystyrene, Cork, Onozote, and other insulating and acoustic materials, to cement rendered surfaces, bricks, cement blocks, timber and hardboard, etc.

Recommended for the adhesion of scrim covered insulation bats to steel ductwork and such like applications.

Retains adhesive qualities at temperatures in excess of 93°C (200°F) and as low as -34°C (-30°F).

23 Litre Containers

CAT. NO. 231171

PETROCHEM ADPOL

An adhesive for sticking Polystyrene to Polystyrene such as for multiple layers of Polystyrene Foam slabs in the construction of Cool Rooms.

23 Litre Containers

CAT. NO. 231173

SELLEYS THERMO PASTE

A thermal conducting paste especially suited for assisting heat transference in the construction of solar heat collectors and similar applications.

350 g Cartridge
(for use with Type J Gun)

CAT. NO. 2315

25 kg Drums

CAT. NO. 2314

PETROCHEM TRANSTHERM PASTE

Used to transfer the "cold" from the coil to the inner linings of commercial deep freeze cabinets.

Coils are usually held in place by saddles which are spot welded to the inner lining. The Transtherm Paste is then spread as a fillet to give continuous contact for "cold transfer" from the coils to the lining.

23 Litre Containers

CAT. NO. 231174

NAME IT AND WE'VE PROBABLY GOT IT IN OUR WIDELY ASSORTED STOCK

CAULKING & SEALING COMPOUNDS

FRIGLASTIC & PETROCHEM "B.I.P."

A pliable material free from odours, designed for sealing cracks, small holes, joints, etc. in refrigerated cabinets and ductwork. Will not harden or crack even at low temperatures.

| TYPE | DESCRIPTION | SIZES | CAT. NO. |
|-----------------------|--|--|----------|
| FRIGLASTIC | A pliable "white" compound. | 500 ml Tin | 23173 |
| | | 4 Litre Tin | 23174 |
| | | 20 Litre Drum | 23175 |
| PETROCHEM "B.I.P." | A permanently plastic sealing compound based on Bitumen Impregnated Polyurethane. Suitable for all forms of sealing, cabinets, ductwork, joints etc. | 15 Metre Packs in the following mm sizes | |
| | | 3 x 19 mm | 231156 |
| | | 3 x 38 mm | 231157 |
| | | 6 x 25 mm | 231158 |
| | | 13 x 13 mm | 231159 |
| | | 13 x 19 mm | 231160 |
| | | 13 x 25 mm | 231161 |
| | | 13 x 51 mm | 231162 |
| | | 19 x 19 mm | 231163 |
| | | 19 x 25 mm | 231164 |
| | | 19 x 38 mm | 231165 |
| | | 19 x 51 mm | 231166 |
| | | 25 x 25 mm | 231167 |
| | | 25 x 38 mm | 231168 |
| | | 25 x 51 mm | 231169 |
| | | 25 x 76 mm | 231170 |

SEALANTS



REX PAK THREAD - SEAL NO. 1.

For all Pipe Joints, Screwed Connections, Flanges and Gaskets.

Pressures to 41370 kPa (6000 psig).

Temperatures to 288°C (550°F)

The universal all-purpose compound suitable for 85% of services :-

Non-Shrinking, Non-Cracking, Non-Hardening, Insoluble, Inhibits rust and corrosion. The metallic lead base seals all voids.

FEATURES

- ★ Is effective for the life of the connection.
- ★ Never hardens — won't crack on temperature changes.
- ★ Withstands severe vibrations.
- ★ Prevents seizing and galling.
- ★ Protects against rust and corrosion.
- ★ More economical than ordinary compounds.

Available in 250 ml Brush Top Tins

CAT. NO. 231142

NITTO
NITOFLO[®]
PIPESEAL



FOR SEALING PIPE JOINTS



PTFE THREAD SEALANT TAPE NO. 950

WHAT IS NO. 950 ?

- ★ An entirely new PTFE resin tape for thread sealing, superseding the conventional linen tapes or liquid compounds.
- ★ The most suitable tape for sealing all types of pipe such as made of lead, iron, stainless steel, plastics, etc.

WHY CHOOSE NO. 950 ?

- ★ Never affected by any chemicals or solvents.
- ★ Because of NITOFLO's minimum coefficient of friction, pipe screws in easily and snugly. Also easy to remove.
- ★ For its self-fusing property, just one turn of lapping it around the thread joint makes a perfect and positive seal.

HOW TO USE NO. 950

- ★ No. 950 is used by taping it around the thread joint and pressing it by finger. Then simply screw the pipe over No. 950.

Available in Rolls 12 mm x 10 m

CAT. NO. 231143

OUR BIG SELECTION ANSWERS YOUR EVERY NEED AND PRICED RIGHT TOO



TAPES

415 REINFORCED FOIL TAPE

Uses: Primarily used for sealing aluminium foil covering on air conditioning ductwork. For insulating and protecting applications in building industry, horticulture, pastoral and associated fields. General holding, sealing and strapping applications when high strength and adhesion required.

Construction: Aluminium foil paper lamination reinforced by glass fibre filaments. The high tack adhesive is protected by a paper interliner.

Characteristics: Very high adhesion values, tensile and high tear strength — fire resistant.

| | |
|----------------|--------------------------------------|
| CAT. NO. 23141 | 48 mm width x 33 m Prod. No. 180068 |
| CAT. NO. 23139 | 72 mm width x 33 m Prod. No. 180025 |
| CAT. NO. 23140 | 96 mm width x 33 m Prod. No. 180009 |
| CAT. NO. 23156 | 150 mm width x 33 m Prod. No. 180076 |

455 ALUMINIUM FOIL TAPE

Uses: Vapour sealing on air-conditioning ductwork. Heat and light reflecting. Interference shielding. Splicing of Aluminium Foil. Holding applications in the Appliance industry. Sealing of Roof Sarking.

Construction: A 50 micron Aluminium Foil backing coated with a high tack, long ageing adhesive and laminated to a Siliconed paper interliner wound on the inside.

Characteristics: Thin and fairly conformable, good ageing properties. Excellent vapour barrier, high electrical and thermal conductivity. Good reflective properties.

| | |
|-----------------|-------------------------------------|
| CAT. NO. 231116 | 48 mm width x 50 m Prod. No. 205850 |
| CAT. NO. 231117 | 72 mm width x 50 m Prod. No. 205869 |

537 POLYPROPYLENE PACKAGING TAPE

Uses: Sealing light to medium cartons and boxes of all types. Ideal for export packing and food industry applications because it is both waterproof and odourless.

Construction: Special grade polypropylene film with a heat resistant adhesive.

Characteristics: Good dead stretch and tear resistance. Unaffected by moisture. Good bursting strength and excellent edge tear resistance. Flexible and stable under varying climatic conditions.

| | | |
|-----------------|--------------------|-------------|
| CAT. NO. 231110 | 36 mm width x 75 m | Fawn/White/ |
| CAT. NO. 231111 | 48 mm width x 75 m | Transparent |

550 BLACK POLYTHENE TAPE

Uses: Reduces corrosion effects on above or below ground pipe and steel work. For an anti-electrolytic corrosion barrier between dissimilar metals in roof and other constructions. Joining builders and painters drop sheets. Sealing or waterproofing applications in the building and general manufacturing industry.

Construction: Flexible, heavy duty polythene backing with natural rubber based adhesive.

Characteristics: Backing of black heavy duty polythene film has excellent weathering and waterproofing properties and chemical resistance. A strong permanent type adhesive system. Matches the long term nature of the backing.

| | |
|----------------|-------------------------------------|
| CAT. NO. 23160 | 48 mm width x 30 m Prod. No. 183334 |
| CAT. NO. 23161 | 72 mm width x 30 m Prod. No. 183318 |
| CAT. NO. 23162 | 96 mm width x 30 m Prod. No. 183326 |

250 PACKAGING TAPE

Uses: Sealing cartons of all kinds, wrapping and sealing other types of packaging, 250 is used in masking for sandblasting and metal spray masking.

Construction: A high strength saturated flatback rope paper backing with a high tack natural rubber based adhesive.

Characteristics: Excellent adhesion, good quick stick, high tensile strength, abrasion resistant, good climatic performance.

| | |
|----------------|-------------------------------------|
| CAT. NO. 23153 | 48 mm width x 50 m Prod. No. 207020 |
| CAT. NO. 23154 | 72 mm width x 50 m Prod. No. 207047 |
| CAT. NO. 23155 | 96 mm width x 50 m Prod. No. 207063 |

404 FOAM SEALING TAPE

Uses: Many uses in industry for cushioning — gaskets — sound deadening — protecting — sealing against dusts and draughts.

Construction: Polyether foam plastic laminated to a high strength rope paper backing. The high tack adhesive is protected by a paper liner.

Characteristics: Excellent resilience — good sound absorption and ageing properties — good breaking strength.

| | |
|-----------------|---|
| CAT. NO. 231101 | 15 mm width x 12 mm thick x 2 m Prod. No. 179590 |
| CAT. NO. 231102 | 24 mm width x 12 mm thick x 2 m Prod. No. 179493 |

NORTON

408 POLYTHENE FOAM TAPE

Uses: Dust sealing electric light fittings, weather sealing around window frames, door and cover closures in automotive, aircraft and other transport vehicles. Cushioning sliding glass doors. Sound absorption and protection. Sealing against noise and dust in partition work. Protection of instruments and other fragile components during shipping or storage.

Construction: Made from a controlled expansion foamed polythene backing produced by a special electron irradiation process with a strong adhesive system.

Characteristics: Water resistant and good long term exterior ageing, excellent insulation properties. Excellent elastic recovery, outstanding weather and solvent resistance.

| | |
|-----------------|-------------------------------------|
| CAT. NO. 231104 | 12 mm width x 20 m Prod. No. 179647 |
|-----------------|-------------------------------------|

410 VINYL FOAM TAPE

Uses: Cushioning, gaskets, sound deadening, protection, sealing against dust and draughts in building and transport vehicles. Sealing against light emission.

Construction: Partly closed cell plasticised polyvinyl chloride resin based foam. The high tack adhesive is protected by a paper liner.

Characteristics: Moisture resistant, highly resistant to mildew and other fungi attack. High degree of conformability — can be turned at right angles on small radius. Odourless.

| | |
|-----------------|---|
| CAT. NO. 231105 | 9 mm width x 3 mm thick x 20 m Prod. No. 179868 |
| CAT. NO. 231106 | 12 mm width x 3 mm thick x 20 m Prod. No. 179922 |

USE OUR TELEX SERVICE FOR YOUR ORDER

TAPES

PRECISION Aluminium Foil Tape
no. 400 tape

ALUMINIUM FOIL TAPE
 50 MICRON DEAD SOFT
 HIGH HOLDING POWER



Uses: Insulation and sealing in appliances and air conditioning and refrigeration industries.

Colour: Silver

Construction:
Backing: 2 Mil. (50 micron) dead soft aluminium foil for good strength and excellent conformability.

Adhesive: High tack synthetic adhesive for permanent bonding.

Liner: Easy peel silicone release liner ensures trouble free application.

Physical Properties:
 Thickness with liner: 7 mils
 Thickness without liner: 4.5 mils
 Tensile: 85 N/24 mm
 Adhesion: Exceeds 27N/24 mm
 Elongation at break: 5%

Characteristics: Excellent reflection of both heat and light. Low moisture vapour transmission. Permanent adhesive gives long ageing both indoors and outdoors. Very high co-efficient of heat transmission. Very high co-efficient of expansion.

| CAT. NO. | WIDTH mm | LENGTH m |
|----------|----------|----------|
| 231122 | 24 | 55 |
| 231123 | 48 | 55 |
| 231124 | 72 | 55 |
| 231125 | 96 | 55 |

SILVER Plasticised PVC Ducting Tape

SPECIAL FEATURES:

1. Flame resistant, it will not support combustion.
2. Ideal for both warm and cold air ducts; either high or low velocity systems and dust collecting systems.
3. Low MVT rate allows its use as a vapour barrier seal on both rigid and flexible insulation material with plastic, foil and paper coatings.
4. Conformability provides increased heating efficiency by sealing irregular surfaces tightly.

CAUTION:

Do not use without mechanical methods to support the ductwork.

COLOURS AVAILABLE:

Silver Grey only.

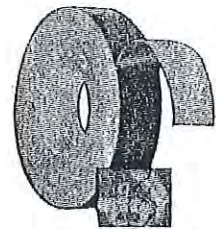
TYPICAL APPLICATIONS:

1. Building Industry.
2. Joining sisalation, joining polythene for concrete underlay, taping joints in air-conditioning ductwork.
3. As a barrier between dissimilar metals in order to discourage electrolytic reaction.

METHOD OF APPLICATION:

By hand, directly from the naked roll.

| CAT. NO. | WIDTH | LENGTH |
|----------|-------|--------|
| 23148 | 2" | 33 m |
| 23149 | 3" | 33 m |



CHARACTERISTICS:

Diameter of Core: 75 mm
 Backing Material: Plasticised PVC
 Thickness: 0.18 mm
 Tensile Strength: 6.6 kg/25 mm
 Elongation at Break: 150 - 200%
 Adhesive Power: 45 g/25 mm
 Temperature Resistance: (upper limit) 70°C
 Dielectric Breakdown: 7000 (ASTM) Volts
 Dielectric Strength: 1000 (ASTM) Volts/mil

PVC Insulation Tape - Black

| CAT. NO. | WIDTH | LENGTH |
|----------|-------|----------|
| 231145 | 3/4" | 20 Yards |

WE WILL BE GLAD TO QUOTE ON LARGE QUANTITIES

Compatibility with other Materials

Loctite resins can be used in conjunction with all metals, natural rubbers, glass and ceramics; will not harm thermosetting plastics, including phenolic, urea, melamine, alkyd or epoxy; nor nylon, polyethylene or saron. The adhesives/sealants will soften and sometimes craze vinyl, cellulosic, styrene and methacrylate plastics, will also soften varnish finishes. Baked-enamel finishes are not harmed by initial contact but should be wiped clean within an hour. Cured resins do not affect any of these materials.

What are Loctite Adhesives/Sealants ?

Loctite anaerobic adhesive/sealants are single-component polyester-type resins furnished as liquids which self-harden into tough structural solids when confined between close-fitting metal parts. These resins are formulated to give a wide range of strengths, viscosities, and degrees of adhesion for various locking, retaining, bonding and sealing applications. Loctite adhesives/sealants are packaged ready-for-use in plastic bottles and require no mixing.

222 SCREWLOCK

Adhesive/Sealant — low strength product for small diameter screws.
Functions & Benefits

Low strength locking of screws having long thread engagements.
 Low strength locking of adjustment screws allows adjustment anytime without loss of locking benefit.
 Stops loosening due to vibration or shock loading.
 Seals threads against leakage of fluids and gases.

Properties

Will undo with normal tools.
 Does not wick into adjoining parts.
 Fills gaps to .13 mm (.005").
 Cure Speed*: Fixture 20 minutes Full 6 hours.
 Temperature Range: -55 to 149°C (-65 to 300°F).

| CAT. NO. | SIZE | Prod. No. |
|----------|--------|-----------|
| 231200 | 10 ml | 22220 |
| 231201 | 50 ml | 22250 |
| 231202 | 250 ml | 22270 |

241 BEARING MOUNT

General purpose strength product for mounting bearings, bushes, sleeves, oil seals etc.

Functions and Benefits

Can be used in pressfit or slipfit situations to prevent unwanted movement.
 Prevents fretting corrosion.
 Improves heat transfer.
 Seals outside diameter of oil seals.
 Retains oil seals in high pressure applications.
 Reduces downtime and maintenance costs.

Properties

Medium strength.
 Allows removal with press or standard pullers.
 Excellent chemical resistance.
 Cured strength 7000 - 14000 kPa (1000 - 2000 psi).
 Fills gaps to .13 mm (.005").
 Cure speed*: Fixture 20 minutes Full 6 hours.
 Temperature Range: -55 to 149°C (-65 to 300°F).

| CAT. NO. | SIZE | PROD. No. |
|----------|--------|-----------|
| 231203 | 10 ml | 24120 |
| 231204 | 50 ml | 24150 |
| 231205 | 250 ml | 24170 |

277 HIGH STRENGTH (H. V.)

High strength product for large diameter fasteners.

Features & Benefits

Locks fasteners over 25 mm (1") diameter.
 Protects assemblies from high shear loads as well as high vibration and shock levels.
 Eliminates tack welding.
 Suitable for studs assembled in through-holes.
 Suitable for large diameter studs on giant power presses.
 Suitable for front end suspension frame bolts.
 Suitable for hydraulic cylinder piston-rod and tie-rod nuts.
 Suitable for turntable bearing bolts and axle bolts.

Properties

High strength — Will need extra effort to undo.
 Shear strength 26200 kPa (3800 psi).
 Fills gaps to .25 mm (.01").
 Cure speed*: Fixture 30 minutes Full 6 hours.
 Temperature Range: -55 to 149°C (-65 to 300°F).

| CAT. NO. | SIZE | PROD. No. |
|----------|--------|-----------|
| 231214 | 50 ml | 27750 |
| 231215 | 250 ml | 27770 |

262 STUDLOCK

Heavy duty product for studs and for threadlocking in severe operating conditions.

Functions & Benefits

Stops loosening due to vibration and shock loading.
 Seals threads against leakage of fluids and gases.
 Prevents thread corrosion and seizure.

Properties

High strength — will need extra effort to undo.
 Does not wick into adjoining parts.
 Excellent chemical resistance.
 Fills gaps to .13 mm (.005").
 Cure speed*: Fixture 20 minutes Full 6 hours.
 Temperature Range: -55 to 149°C (-65 to 300°F).

| CAT. NO. | SIZE | PROD. No. |
|----------|--------|-----------|
| 231209 | 10 ml | 26220 |
| 231210 | 50 ml | 26250 |
| 231211 | 250 ml | 26270 |

242 NUTLOCK

General purpose adhesive for nuts, bolts, screws etc. — medium strength.

Functions & Benefits

Best strength for nuts under all operating conditions.
 Stops loosening due to vibration and shock loading.
 Seals threads against leakage of fluids and gases.
 Prevents thread corrosion and seizure.
 Best product to overcome or prevent backlash in splines & keyways.

Properties

Will undo with normal tools.
 Does not wick into adjoining parts.
 Excellent chemical resistance.
 Fills gaps to .13 mm (.005").
 Cure speed*: Fixture 20 minutes Full 6 hours.
 Temperature range: -55 to 149°C (-65 to 300°F).

| CAT. NO. | SIZE | PROD. No. |
|----------|--------|-----------|
| 231206 | 10 ml | 24220 |
| 231207 | 50 ml | 24250 |
| 231208 | 250 ml | 24270 |

271 HIGH STRENGTH (M. V.)

An adhesive/sealant high strength product for small diameter studs and bolts and suitable for Refrigeration and Air Conditioning Equipment, Systems and Fittings.

Functions & Benefits

Locks fasteners up to 25 mm (1") diameter.
 Permits hand assembly of studs.
 Ends cracked castings caused by interference fit stresses.
 Permanently seals studs against leakage and corrosion.
 Re-anchors loosened studs and stops loosening due to vibration and shock loading.

Offers sealing with maximum solvent resistance to the action of Refrigerants R11, R12, R22, Ammonia and Sulphur Dioxide.
 Resists the corrosive action of fuels, lubricants and most industrial liquids and gases.

Properties

High strength — Will need extra effort to undo.
 Does not wick into adjoining parts.
 Shear strength 17240 kPa (2500 psi).
 Fills gaps to .18 mm (.007").
 Cure speed*: Fixture 20 minutes Full 1-2 hours.
 Temperature Range: -55 to 149°C (-65 to 300°F).

| CAT. NO. | SIZE | PART No. |
|----------|--------|----------|
| 231212 | 50 ml | 27150 |
| 231213 | 250 ml | 27170 |

* NOTE: Cure Speed — Curing times for Fixture and Full can be shortened by the use of Loctite Primers — Details available on application
 LOCTITE Products continued next page

601 RETAINING COMPOUND

Self-hardening liquid for Retaining or Mounting Cylindrical Parts (including bearings, pulleys, wheels, bushings, gears, cams, rotors, sprockets, sleeves, pins, couplings etc.)

Functions & Benefits

Load transmitting grade for parts needing removal for maintenance or repair.

Stops fretting corrosion and corrosion lock-up.

Properties

Allows removal with press and pullers.

Excellent chemical resistance.

High cured strength 14000 - 21000 kPa (2000 - 3000 psi).

Fills gaps to .13 mm (.005").

Cure speed*: Fixture 10 minutes Full 1-6 hours.

Temperature Range: -55 to 149°C (-65 to 300°F).

| CAT. NO. | SIZE | PROD. No. |
|----------|--------|-----------|
| 231222 | 10 ml | 60120 |
| 231223 | 50 ml | 60150 |
| 231224 | 250 ml | 60170 |

567 MASTER PIPE SEALANT

Stops leakage in all types of process piping, instrumentation connections, service piping and threaded pipe, plugs and fittings up to 260°C (500°F).

Functions & Benefits

Instant sealing Teflon (Teflon is Registered Trade Mark of Dupont Corporation).

Safe to use. Product will not foul valves, orifices etc.

Allows positioning of valves, elbows, gauges, T-pieces.

Excess product will not cure and can be washed off for painting.

Prevents loosening and leakage due to vibration or shock loading.

Eliminates thread corrosion.

Will seal water pipe, mild steel piping, stainless, monel and aluminium connections.

Reduces galling and seizure problems with stainless steel and aluminium threads.

Properties

Low strength for easy pipe dismantling.

Seals to moderate pressures instantly and to maximum pipe working pressure —

Carbon Steel: Fixture 30 minutes Full 4 hours.

Stainless Steel: Fixture 3 hours Full 24 hours.

Excellent chemical resistance.

Temperature Range: -55 to 260°C (-65 to 500°F).

AGA approved No. 2590 — all gases.

| CAT. NO. | SIZE | PROD. No. |
|----------|------------|------------------|
| 231221 | Size 50 ml | PROD. No. 56747c |

495 SUPER BONDER

General purpose Instant Adhesive.

Functions & Benefits

Eliminates many mechanical fasteners.

Replaces expensive jigs and fixtures.

Replaces slower curing adhesives.

Requires no mixing.

Bonds rubber, metal and plastics in most combinations.

Properties

Intended for use on close fitting parts with gaps not exceeding .08 mm (.003").

Bond strengths up to 27.6 MPa (4000 psi) attained after cure.

Reaches handling strength in less than 30 seconds on most materials.

| CAT. NO. | SIZE | PROD. No. |
|----------|----------|------------------|
| 231219 | Size 3 g | PROD. No. 13199c |

515 MASTER GASKET

General purpose use primarily for making gaskets, also suitable for coating and repairing gaskets.

Functions & Benefits

Best grade to seal metal to metal flanges against leakage and movement.

Seals all potential leak paths caused by surface machining marks, damage, minor distortion.

Eliminates gasket compression set problems and need to re-tighten.

Makes joints structurally strong by eliminating soft gaskets.

Overcomes gasket shear problems in high torque assemblies.

Semi-flexible to absorb load flexing of assembled units.

AGA approved No. 3207 — all gases.

Properties

Easy to apply — Will not cure until parts are assembled — Does not cure outside joint — Excess will wash off to allow painting.

Internal excess will harmlessly dissolve in oils, fuels etc.

Excellent chemical resistance.

High shear strength 13790 kPa (3000 psi).

Fills gaps: Unprimed .25 mm (.01") — Primed 1.3 mm (.05")

Cure speed*: Fixture 1 hour Full 12 hours.

Temperature Range: -55 to 149°C (-65 to 300°F).

| CAT. NO. | SIZE | PROD. No. |
|----------|------------|------------------|
| 231220 | Size 50 ml | PROD. No. 51531c |

290 WICK IN

Penetrating product for already assembled fasteners — Penetrates clearances between assembled parts by capillary action.

Functions & Benefits

Special low viscosity grade for post application.

Ideal for adjustment screws.

Low viscosity allows sealing of weld and casting porosity.

Recommended as a preventative maintenance tool by permitting

threadlocking of fasteners without disassembly.

Capillary action draws the low viscosity liquid into assembled

threads where it cures to a medium-to-high strength bond. This

increases resistance of bolts and screws to loosening and removal.

Properties

Will adjust or remove with normal tools.

Fills gaps to .13 mm (.005").

Cure speed: Fixture 10 minutes Full 1-2 hours.

Temperature Range: -55 to 204°C (-65 to 400°F).

| CAT. NO. | SIZE | PROD. No. |
|----------|--------|-----------|
| 231216 | 10 ml | 29020 |
| 231217 | 50 ml | 29050 |
| 231218 | 250 ml | 29070 |

QUICK METAL

Creamy non-running gel for spreading onto parts to repair worn areas and to restore correct fit.

Functions & Benefits

Fast cure for quick repair. High strength for durable repairs. Works like a bonding metallizer.

For worn shafts, housings, keyways, couplings, stops bearing spin-out, repairs loose set screws.

Properties

Resistant to oils, cutting fluids and chlorinated solvents.

Fills gaps to .51 mm (.02") diametral.

Cured strength 20.7 MPa (3000 psi).

Cure speed*: Fixture 10-30 minutes Full 1-2 hours.

| CAT. NO. | SIZE | PROD. No. |
|----------|-----------------|-----------------|
| 231225 | Size 50 ml Tube | Prod. No. 66040 |

* NOTE: Cure Speed — Curing times for Fixture and Full can be shortened by the use of Loctite Primers — Details available on application

TECHNICAL DATA

HARDENING

The hardening action of Loctite adhesive/sealants does not depend on the evaporation of solvents or the mixing of a catalyst. Placed between mating metal surfaces Loctite products harden automatically, from the inside out, by a new type of chemical reaction known as an "anaerobic" cure. Anaerobic means "without air", the air dissolved in the liquid inhibits the chemical reaction from proceeding.

When the products are confined between metal parts which exclude air, the chemical reaction begins, aided by catalytic action of the metal surfaces, causing the liquid to harden and form a tough structural solid.

CURE TIME

There are many factors that affect the speed of cure of anaerobic adhesive/sealants. The surface catalytic activity of the parts to be bonded, bond-line thickness, temperature, part cleanliness, all affect curing time. Surface Activity — Copper and brass surfaces provide very fast cures. Iron and steel are fast. Aluminium is slow. If faster cure is required, the use of Loctite Primers is recommended — available on application. Bond-line Thickness — Thin bond lines .01mm cure faster than thicker bond lines. Temperature — The higher the temperature the faster the cure.

Cleanliness — Cures are faster on clean surfaces. Oil and dirt slow the cure.

DISASSEMBLY

Correct grade selection will allow disassembly with normal tools or equipment in most cases.

Cured Loctite anaerobic adhesives/sealants, in assembled parts, cannot be dissolved.

Application of heat over 150°C can be utilized to ease disassembly of parts in high strength applications.

Heating to over 250°C will destroy the strength properties of the cured material. This is not the case with special high temperature Loctite anaerobic products.



THERMAL INSULATION - BATTS - SHEETS - ROLLS

BRADFORD

FLEXIBLE FIBREGLASS & TYPE A ROCKWOOL

For external Insulation of Ducts

Efficient insulation is a critical requirement for the transport of heated or cooled air.

Where there are no problems of noise control within the system and where the ductwork is concealed from view, the most convenient and economical method of minimising heat loss is by the use of external insulation.

External insulation is normally supplied as flexible mineral wool blankets which have advantages in fixing. However, where applications demand it, the more robust semi-rigid form is available. Batts and blankets are available in both mineral wool types. The recommended grades for external insulation of ducts are Type A Fibretex Rockwool and Flexible Tuff-skin Fibreglass; both materials have approximately the same thermal efficiency

FIRE RESISTANCE

The Early Fire Hazard Indices for both Flexible Tuff-skin Fibreglass and Type A Fibretex Rockwool are :

| | |
|-----------------|---|
| Ignitability | 0 |
| Spread of Flame | 0 |
| Heat Evolved | 0 |
| Smoke Developed | 0 |

Authority : The Experimental Building Station of the Dept. of Housing and Construction.

Test Method : Australian Standard 1530, Part 3 - 1975 : "Test for Early Fire Hazard Properties of Materials".

STANDARD SIZES AND WEIGHTS

| PRODUCT | STD. SIZE (Nominal) | THICKNESS mm | CAT. NO. | WEIGHT (kg/m ²) |
|------------------------------|---------------------|--------------|----------|-----------------------------|
| Flexible Fibreglass Blankets | 30 m x 1200 mm | 25 | | 0.55 |
| | | 38 | | 0.61 |
| | | 50 | | 0.80 |
| Type A Rockwool Blankets | 6 m x 750 mm | 25 | | 1.30 |
| | | 38 | | 1.95 |
| | | 50 | | 2.60 |
| Type A Rockwell Batts | 1500 x 900 mm | 25 | | 1.30 |
| | | 38 | | 1.95 |
| | | 50 | | 2.60 |

TECHNICAL DATA

| | |
|---|--|
| SERVICE TEMPERATURE | |
| Sub zero to 350°C (660°F) hot face maximum. | |
| THERMAL CONDUCTIVITY | |
| Product | Thermal Conductivity |
| Flexible Fibreglass | 0.034 W/m.K at 20°C (0.235 Btu.in/ft ² h°F at 68°F) |
| Type A Rockwool | 0.035 W/m.K at 20°C (0.245 Btu.in/ft ² h°F at 68°F) |

Authority: CSR Building Materials Research Laboratories (NATA Registered).
 Test Method: ASTM Designation C518-70: "Thermal Conductivity of Materials by means of the Heat Flow Meter".

AVAILABLE ON APPLICATION

Internal Duct Lining Insulation, Acoustical Insulation and "Faced" Insulation products.



AIR CONDITIONING & INDUSTRIAL INSULATION

FIBREGLASS AIR CONDITIONING DUCTWORK INSULATION

DESCRIPTION AND ADVANTAGES

Insulwool fibreglass air conditioning ductwork insulation materials have been designed specifically for this section of the heating and ventilating industry.

The materials are made from extremely fine, flexible glass fibres and thermosetting resins to give a strong, lightweight yet resilient blanket which is dimensionally stable. They have excellent thermal and acoustic characteristics because of the uniform fibre distribution and the high tensile strength gives superior handling properties.

APPLICATION

Flexible Duct Insulation

Available in rolls for wrapping and sheathing all types of ductwork carrying heated or cooled air and requiring thermal and/or acoustic insulation.

Semi-rigid Duct Insulation

Supplied faced or unfaced and usually applied internally to rectangular ducts requiring efficient acoustic insulation.

Rigid Duct Insulation

Normally faced and applied internally or externally to larger ducts and fan housings where a rigid batt is required.

THERMAL CONDUCTIVITY

At a mean of 24°C (75°F) -
 Flexible 0.240 BTU/hr ft² (°F/inch)
 Semi-rigid 0.235 " " "
 Rigid 0.230 " " "

FLAMMABILITY

Ignitability Index 0
 Spread of Flame Index 0
 Heat evolved Index 0
 Early Fire Hazard Index 0
 Smoke Developed Index 1

Australian Standard A30-1958, as conducted by the Commonwealth Experimental Building Station, North Ryde, NSW.

| PRODUCT | WIDTH mm | LENGTH | THICKNESS mm | CAT. NO. |
|--------------------------------|----------|---------|--------------|----------|
| Flexible Roll | 1200 | 15 m | 25 | |
| | | 30 m | 25 | |
| | | 20 m | 38 | |
| Density 22 kg/m ³ | 1200 | 15 m | 50 | |
| | | 10 m | 75 | |
| | | 25 | | |
| Light Indust. Semi-Rigid Batts | 1200 | 2400 mm | 38 | |
| | | | 50 | |
| | | | 75 | |
| Density 26 kg/m ³ | 1200 | 1800 mm | 25 | |
| | | | 38 | |
| | | | 50 | |
| | | | 75 | |

| PRODUCT | WIDTH mm | LENGTH | THICKNESS mm | CAT. NO. |
|---|----------|---------|--------------|----------|
| Semi-Rigid Board Density 34 kg/m ³ | 1200 | 2400 mm | 25 | |
| | | | 38 | |
| | | | 50 | |
| Rigid Board Density 48 kg/m ³ | 1200 | 2400 mm | 25 | |
| | | | 38 | |
| | | | 50 | |
| | 1200 | 1800 mm | 25 | |
| | | | 38 | |
| | | | 50 | |

TEMPERATURE RANGE: 340°C Max. (644°F)

TAPES, ADHESIVES & SEALANTS

For Tapes, adhesives and sealants suitable for all insulation applications :
 Refer to Pages 210-c and 231-a thru 231-j

Olympic THERMAL INSULATION Styrene Foam

PRODUCT DESCRIPTION

Expanded Polystyrene or Styrene Foam, as it is more generally referred to, is a rigid, light-weight, white THERMOPLASTIC low temperature thermal insulant of microcellular construction, comprising closed cell styrene foam beads welded together to form blocks from which sheets or pipe casings are cut.

Isolite Building Grade Styrene Foam sheets are all marked:—

BUILDING GRADE REFER ASK 156/F ISOLITE CLASS

The Class letter is included in the appropriate place. This marking fulfils the agreement made between the National Styrene Foam Manufacturers Division of the Plastics Institute of Australia and the Commonwealth Experimental Building Station, Commonwealth Department of Works, North Ryde, and included in Appendix C of Report No. 52/75/386L issued by the C.E.B.S.

Standard Grade styrene foam which is **FLAMMABLE** must NOT under any circumstances be used in Building Construction or Refrigeration applications.

It is important to Note:—

- BUILDING GRADE only is recommended for use in Building Construction or Refrigeration applications.
- BUILDING GRADE only fulfils the self-extinguishing requirements of Appendix F of Australian Standard K 156-1965.
- BUILDING GRADE only complies with clause 1332 of the Uniform Building Regulations of Victoria in respect of the use of Foamed Plastic Insulants in buildings.
- **WARNING.** Surface finishes and post-treatments (for example PAINTS) may IMPAIR self-extinguishing properties and render styrene foam product UNSUITABLE for use in Building Industry.

Recommended Applications

Class S Standard Strength—for use where good physical properties allied with low cost are required. Compressive strength, thermal conductivity and moisture vapour transmission are all of a standard suitable for use in most building or refrigeration purposes.

| PHYSICAL PROPERTY | CLASS S | | | | TEST * Method Appendix |
|---|----------------------------|------|----------------------|-------|------------------------|
| | UNITS BRITISH | | UNITS SI ** | | |
| Cross-breaking strength (min.) | lbf/in ² | 25 | kPa | 172 | A |
| Compressive strength at 10% (min.) | lbf/in ² | 12 | kPa | 83 | B |
| Water vapour permeability at 38°C (100°F) and 90 per cent r.h. (max.) | gr in/ft ² h in | 2.7 | g/m ² 24h | 45 | C |
| Thermal conductivity (max.) | btu.in/ft ² h°F | 0.25 | W/mK | 0.036 | D |
| Dimensional stability at 80°C(176°F) Max | % | 0.75 | % | 0.75 | E |

SPECIFICATIONS: The schedule of physical properties relates to polystyrene in block, board or sheet form not less than 1/2 inch thick.

* Physical properties are obtained from tests conducted to A.S.K156-1965.

** S.I. (International System) Units as currently being considered by Standards Association of Australia for inclusion in amendments to A.S. K156.

| AVAILABLE SIZES — CLASS S | | | | |
|---------------------------|----------------|------|----------------------|----------------|
| CAT. NO. | STD. THICKNESS | | STANDARD SHEET SIZES | |
| | mm | Ins. | mm | Feet (Nominal) |
| 2321 | 15 | .59 | 3600 x 1200 | 12 x 4 |
| 2322 | 20 | .79 | 3600 x 600 | 12 x 2 |
| 2323 | 25 | .98 | 3600 x 300 | 12 x 1, |
| 2324 | 40 | 1.58 | 1800 x 1200 | 6 x 4 |
| 2325 | 50 | 1.97 | 1800 x 600 | 6 x 2 |
| 2326 | 75 | 2.95 | 1800 x 300 | 6 x 1 |
| 2327 | 100 | 3.94 | 1200 x 1200 | 4 x 4 |
| 2328 | 125 | 4.92 | 1200 x 900 | 4 x 3 |
| 2329 | 150 | 5.91 | 1200 x 600 | 4 x 2 |
| 23210 | 200 | 7.87 | 1200 x 300 | 4 x 1 |
| 23211 | 225 | 8.86 | 900 x 600 | 3 x 2 |

Recommended thicknesses based on the use of Class S Isolite when used in conjunction with correctly designed refrigeration systems are as follows:—

| ISOLITE THICKNESS | | TEMPERATURE RANGE | |
|-------------------|----------|-------------------|------------|
| mm | ins(nom) | °C | °F |
| 25 | 1 | 30 to 18 | 85 to 65 |
| 50 | 2 | 21 to 10 | 70 to 50 |
| 75 | 3 | 13 to 2 | 55 to 35 |
| 100 | 4 | 4 to -7 | 40 to 20 |
| 125 | 5 | -4 to -15 | 25 to 5 |
| 150 | 6 | -12 to -23 | 10 to -10 |
| 175 | 7 | -21 to -29 | -5 to -20 |
| 200 | 8 | -26 to -34 | -15 to -30 |
| 225 | 9 | -32 to -40 | -25 to -40 |
| 250 | 10 | -37 to -46 | -35 to -50 |

ALSO AVAILABLE ON APPLICATION ARE :

ISOLITE Styrene Foam Sectional Pipe Insulation
ISOTHANE (Urethane) Sectional Pipe Insulation

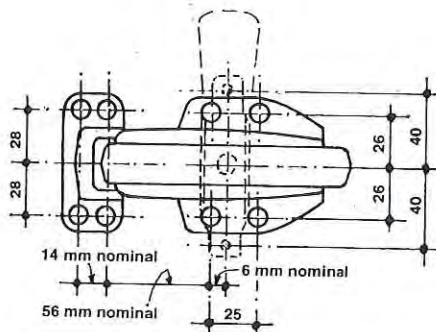
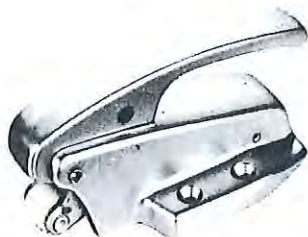
REFRIGERATION HARDWARE

MEDIUM DUTY LOCKS AND STRIKES

FOR COMMERCIAL CABINETS AND COOLROOMS



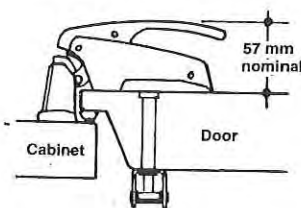
R57 SERIES
LOCKS AND LATCHES



TRACTION LOCK



R5712-V17A
RELEASE



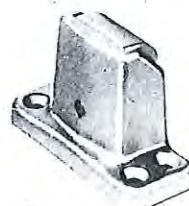
R5724 FLUSH STRIKE



R5723 STRIKE
ADJUSTABLE OFFSET



R5722 STRIKE
ADJUSTABLE OFFSET



R5725 STRIKE
DOUBLE FIXED OFFSET



4

| | |
|-------------------|---|
| OPERATION : R5710 | — Lock only. Not lockable. When used with 60° std. strike, door can be forced open from inside with 14 kg (2lb) pressure. |
| R5712 | — Lock complete with inbuilt safety release plate. Note — Lock will release from inside with padlock fitted. |
| R5713 | — Traction Lock only otherwise similar to R5710. |
| R5715 | — Traction Lock otherwise similar to R5712. |

| CAT. NO. | NEW PART NO. | OLD P/N | DESCRIPTION | SPECIFICATION | FINISH |
|----------|--------------|---------|------------------------------------|--|---------------|
| 23382 | R5710 | K57 | Lock | Body and Handle - Zinc machine cast Rollers - Nylon | CHROME PLATED |
| 23391 | R5712 | K57R | Lock with Release Plate | As for R5710, Safety Release Rod - Wood | |
| 23388 | R5713 | K57 | Traction Lock | As for R5710 | |
| 23394 | R5715 | K57R | Tract. Lock with Release Plate | As for R5712 | |
| 233100 | R5712-V17A | K57 | Inside Release | Steel | Zinc Plated |
| 23372 | R5613-50C | K56R | Traction Bar | Brass Tube, 25 mm diam. 914 mm long. | CHROME PLATED |
| 23383 | R5722 | K57 | 60°Std.Strike.Adj.Offset 19-25 mm | Body - Zinc machine cast. Note - Must be used with locks where safety regulations require burst open emergency exit. | |
| 23386 | R5724 | K57 | Flush Strike Fixed Offset 22 mm | Body - brass | |
| 23385 | R5723 | K57 | 90°Strike.Adj.Offset 19-25 mm | Body - Zinc machine cast | |
| 23384 | R5725 | K57 | Strike - Double fixed offset 22 mm | Body - brass | |
| 23396 | WR5710-V2 | K57 | Lock Handle Only | | |
| 23397 | R5713-V27 | | Traction Handle Only | | |
| 23398 | R5710-V13 | | Spring | | |
| 23399 | R5722-V12 | | Strike Screws | | |
| 233180 | R5710-V15 | | Nylon Roller | | |
| 233179 | R5710-V10 | | Pin | | |

All EFCO products shown in this catalogue are manufactured in Imperial sizes
Dimensions shown are nominal Metric equivalents

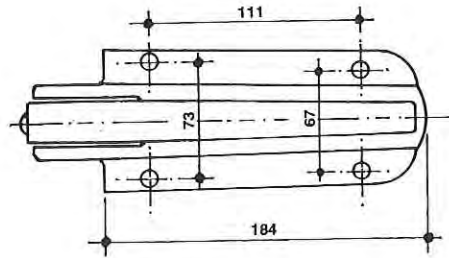


REFRIGERATION HARDWARE

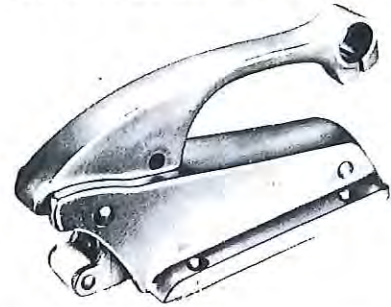
HEAVY DUTY LOCKS AND STRIKES

FOR COMMERCIAL COOLROOMS AND COLD STORES

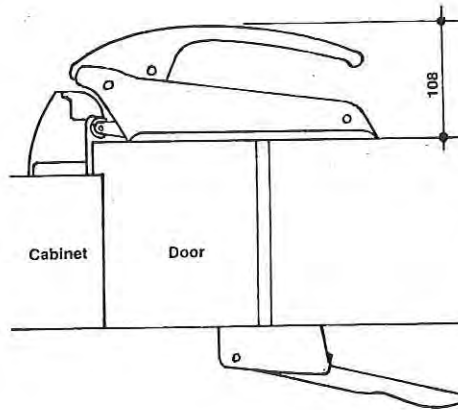
R 5612
SAFETY RELEASE LOCK



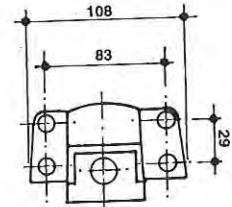
R 5613
SAFETY RELEASE TRACTION LOCK



R5612-V26A
RELEASE



R 5622 AND R 5623
ADJUSTABLE OFFSET STRIKES



OPERATION : R5612 LOCK — Spring Loaded roller provides gasket compression. Lockable on outside by padlock. Complete with inside safety release.
 Note : Lock will release from inside with padlock fitted

R5613 TRACT. LOCK — As for R5612
 — Handles of locks and safety releases are connected by 25 mm Diameter traction bars.

| CAT. NO. | NEW PART NO. | OLD P/N | DESCRIPTION | SPECIFICATION | FINISH |
|----------|--------------|---------|--|---|---------------|
| 23369 | R5612 | K56R | Lock | Body, Handle & Toggle - Zinc machine cast Roller - Nylon Safety Release Rod - aluminium | CHROME PLATED |
| 23360 | R5613 | K56R | Traction Lock | As for R5612 except handle which is cast bronze | Galvanised |
| 23370 | R5612-V26A | K56R | Inside Release | Steel | |
| 23372 | R5613-50C | K56R | Traction Bar | Brass tube, 25mm diam. 914mm long | CHROME PLATED |
| 23371 | R5622 | K56R | Strike 0-16mm Adj. Offset. | Body and Tongue - Zinc machine cast. | |
| 23364 | R5623 | K56R | Strike 16-32mm " " | Offset is adjusted by micro-screw | |
| 23365 | WR5612-2 | K56R | Lock Handle Only | | |
| 23366 | R5612-V20 | | Torsion Spring | | |
| 23368 | 5612-V3A | | Lock mechanism including Nylon Roller (Toggle Only). | | |
| 23373 | R5612-V4A | | " " " " " " (Toggle Assembly) | | |
| 23367 | R5612-V10 | | Nylon Roller | | |
| 23374 | R5612-V13 | | Pin | | |

All EFCO products shown in this catalogue are manufactured in Imperial sizes
 Dimensions shown are nominal Metric equivalents

THE BITTERNESS OF POOR QUALITY REMAINS LONG AFTER THE SWEETNESS OF LOW PRICE IS FORGOTTEN