

SECTION 5 — "PINK" INDEX

— A —

Alkaline Batteries 327-a
Axial Flow Rotors 307-c

— B —

Batteries 327-a
Bench Grinders 327-d
Betts Fan Motors 309/309-a,c
Blower Wheels 308
Books — Technical 327-b,c
Brackets — Fan Motor Mounting 309-c
Brinsmead Fan Motors 309-b,c/310-d
Brinsmead Fan Motor Replac. Charts. 310-e,f,g,h

— C —

Capacitors:
Coldstream. 313-a
Cornell-Dubilier 326-d,e
Kelvinator 326-f,g
Kirby 326-f
Kirby Compressors
(Current/Obsolete) 315/315-a to p
Reference Guide — Technical 326/326-a,b,c
Solid State 324-b
Terry (Accessible Hermetics) 324-a
Ceiling Fans 310
Centrifugal Fan Blower Wheels 308
Condensing Unit Fans 305
Contactors 327

— E —

Electric Motors — Industrial 311/312/327-d,e
Electric Motors — Hints 327-e
Electrical Products/Appliances (Kambrook)
Drill Tidy 327-g
Electric Urn 327-g
Extension Leads. 327-f
Extension Lead Pack 327-f
Flex — 3-Core 327-g
Hot Plate. 327-g
Kettle — Whistler 327-g
Light & Power Reel 327-f
Power Adaptor 327-f
Power Boards/Reels. 327-f
Power Boards & Timer 327-g
Safety Plugs 327-g
Timers 327-g
Trouble Finder Lamp. 327-f
Electrohome Fan Motors. 310-c
Evaporative Condenser Parts. 306
Exhaust Fans 310

— F —

Fan:
Blades 306/307/307-a,b,c
Blades for Forced Draft Coolers. 306
Blower Wheels 308
Motor Mounting Brackets 309-c
Motors — Fan 309/309-a,b,c/
310-a to h
Motor Replacement Charts:
Brinsmead 310-d,e,f,g,h
Motors — Selection Charts:
Betts & Brinsmead 309-a,c
Fans — Condensing Unit 305
Fans — Exhaust 310
Forced Draft Cooler Fan Blades. 306
Frost Free Fan Motors. 310-c
Frostex/FreezGard Heating Tape 327-h,i,j

— G —

Grinders — Bench 327-e

— H —

Heating Tape 327-h,i,j

— K —

Kambrook Electrical Products/Appliances
— See Electrical Products
Kelvinator Fan Motors 309-b

— M —

Mistral Fans 310
Motor:
Hints 327-e
Starters 327
Motors:
Fan 309/309-a,b,c/
310-a to h
Fan - Replacement Charts - Brinsmead 310-d to h
Industrial. 311/312/327-d,e
Mounting Brackets — Fan Motor 309-c
Muller Fan Motors 310-a,b

— O —

Overloads:
Coldstream. 313/313-a
Frigidaire. 313-a
Hermetique (L'Unite) 315-q
Kelvinator 314/314-b,c
Kirby 315
Kirby Compressors
(Current/Obsolete) 315/315-a to p
L'Unite Hermetique 315-q
Overload/Relay Combinations. 323-b/324
Overload/Relay Cross Ref.
(RE/Kirby) 323/323-a
Solid State. 324-b
Terry (Accessible Hermetics) 324-a

— P —

Publications — Technical 327-b,c

— R —

Radlon Fan Motors 310-c
Relays:
Coldstream. 313/313-a
Danfoss. 327
Frigidaire. 313/313-a
Hermetique (L'Unite) 315-q
Kelvinator/Leonard/HMV 313/313-a,b
314/314-a
Kirby 315
Kirby Compressors
(Current/Obsolete) 315/315-a to p
L'Unite Hermetique 315-q
Replacement Hot Wire 323-b
Replacement Solid State. 323-b/324
Relay/Overload Combinations. 324-a
Relays/Overload Cross Ref.
(RE/Kirby) 323/323-a
Solid State 324-b
Terry (Accessible Hermetics) 324-a
Ring Mounted Fans 310
Rotojet Evap. Condenser Parts 306
Rotors — Axial Flow 307-c

— S —

Starters — Motor 327
Starting Device (Danfoss) 324

— T —

Technical Books. 327-b,c
Terminals — Quick Connect 327

— W —

Wall Fans. 310

SECTION 5 INDEX

ON REVERSE SIDE

CONDENSING UNIT FANS

It would be impossible to list a full range of Condensing Unit Fans in this Catalogue and therefore only a few popular sizes are listed below. However, Fans (and pulleys) for any make of Condensing Unit can be supplied to special order provided the following information is given :

1. Make and Model No. of Condensing Unit taken from the Name Plate.
2. Fan — Diameter and Number of Blades, Direction of Rotation, Air Flow Direction and if applicable, Hub Length.
3. Pulley — Outside Diameter, Bore and Number and Section of grooves.

CAT. NO.	DIAMETER	DESCRIPTION	SUITS UNITS
----------	----------	-------------	-------------

COLDSTREAM

3051	14"	3 Blade	Q39, M60, 75
3052	18"	3 Blade	TB99, JB110, 160, RO180 etc.
3053	20"		RO225, 270, OB270, 300, 360

KELVINATOR — DOMESTIC — FREEZER

30551	5"	Plastic Bin No. PD330 P/N KA30447	993, 976, N510FD, 510NF4, N610EE, 610NE5, N510FF, 510NF6, N610FF, 610NF6
30552	4"	Plastic Bin No. PD324 P/N KA30373	486, 496, 508, 509, 519, 588, 676, 686, 694, 770, 778, 779, 788, 789, 790, 888, N144GA, N144FA, N144WA, N144WB, N180FA, N180SA, N180SB, N220EB, N220FA, 380NF3, N380FC, N380GC, N380FF, 380NF6, N380TC, N380YC, 480NF3, N480FC, N480TC, 600NE3, N600EC
30554	4"	Plastic Bin No. PL85 P/N 1208204	400NG3, N400GC, 450NG3, N450GC, 500NG3, N500GC — Now use PD324
30556	5"	Plastic Bin No. PL372 P/N 1228882	62NG3, N620GC
30557	4"	Plastic Bin No. CF83 P/N 10-376	H250GD, F330LD — Now use CF91 & CF93

TERRY

30514	19"	P/N 150-24 20° 4 blade steel with centre spider	Most A, J, P units, PJ2, PJ3, PJ4, PJ6 V4S4, V4S6, 300A4 - 1000A
30515	17"	P/N 150-25 20° 4 blade steel with centre spider	U Series 175H to 250L, Acc. Sealed 153/151H to 303FL
30513	14"	P/N 150-22 20° 4 blade steel with centre spider	U Series 100L, 150L, 150H, RA2, RA4, RA6, 100A - TRU300A3
30512	12½"	P/N 150-4 2¾" wide steel	KU1, KU2, KU3
30516	18"	P/N 150-39S 3 blade 5/8" bore A.C.W.R.D.	303FH, 403FH, 603FM, 803FH 603FH with 8" deep cowlings

Note: The above fans will also suit some earlier Terry Range Units.

BITZER

CAT. NO.	DIAMETER
30542	15"
30543	17"
30544	19"

KELVINATOR — COMMERCIAL

CAT. NO.	DIAMETER	PART No.
30526	9½"	E71
30527	12"	E246
30528	14"	E247
30529	16"	E344

CAT. NO.	DIAMETER	PART No.
30531	19"	E345
30532	19"	E346
30533	19"	E341

RADLON

CAT. NO.	DIAMETER		PITCH	DESCRIPTION
	mm	INS.		
30591	170	6¾"	26°	Plastic Blade *
30592	200	8"	26°	Plastic Blade *
30593	230	9"	26°	Plastic Blade *
30594	250	10"	26°	Plastic Blade *
30595	300	12"	20°/30°	Aluminium Blade (Suction or Blowing)
30596	350	14"	20°/30°	Aluminium Blade (Suction or Blowing)

* NOTE: When ordering Plastic Blades, Motor Rotation must be stated — i.e. CCW = Counter Clockwise (Suction) CW = Clockwise (Blowing).

RADLON FAN MOTORS REFER PAGE 310-c

FAN BLADES FOR FORCED DRAFT COOLERS

MULLER

CAT. NO.	MULLER PART NO.	SIZE	KELV. BIN NO.	SUITS MODELS	Note: Suffix Numbers in brackets eg (1),(2), etc. indicates number of fan blades fitted to that particular model.
3061	862 - 717	178mm (7")	MM490	CSN64(1), CSN74(1), CSN106(2), CSN130(2), CSN180(3)	
				CSL53(1), CSL63(1), CSL90(2), CSL110(2), CSL150(3)	
				MJ110H(1), MJ140H(1), MJ180H(2), MJ220H(2)	
				Old Series C100H(1), C135H(1), C175H(2), C230H(2), C310H(3)	
				Old Series C101L(1), C141L(2), C191L(2), C251L(3)	
3068	862 - 83761V	254mm (10")	MM145	CDN130(1), CDN180(1), CDN240(2), CDN320(2)	
				CDL100(1), CDL150(1), CDL200(2), CDL270(2), CDL370(3), CDL520(4)	
30626	862 - 1045F	254mm (10")	MM52	Old Series RLC - 050(1), 072(2), 100(2), 150(3), 200(4), 250(5), 300(6)	
3062	862 - 80781W	305mm (12")	MM106	Old Series ELC - 035(1), 050(2), 070(2), 105(3), 140(4), 175(5), 210(6)	
				MLV - 050(1), 072(2), 100(2), 150(3), 200(4), 250(5), 300(6)	
30611	862 - 1036	254mm (10")	MM334	MLVE - 035(1), 050(2), 070(2), 105(3), 140(4), 175(5), 210(6)	
30612	862 - 1228	305mm (12")	MM335	RA260(1)	
3063	862 - 1420	345mm (14")	MM332	RA350(1), RA450(1)	
				UA - 450, 580, 870, 1100	
				MUA - 450(1), 580(1), 870(2), 1100(2)	
				Hot Rod H - 301(1), 601(2), 821(2)	
				Hot Gas GA - 323, 663, 853	
3064	862 - 1428	345mm (14")	MM18	EP - 301(1), 601(2), 771(2)	
				UA - 680, 1350	
				MUA 680(1), 1350(2)	
				Hot Rod H - 481(1), 941(2)	
				Hot Gas GA - 513, 1023	
30613	862 - 1416AC	345mm (14")		EP - 451(1), 901(2)	
30614	862 - 1422AC	345mm (14")		RA580(1)	
30615	862 - 1424AC	345mm (14")		RA680(1)	
30616	862 - 1428AC			RA870(1)	
3065	862 - 1814	467mm (18")	MM597	RA1050(1)	
				UA1700 MUA1700(2)	
3066	862 - 1820	467mm (18")	MM253	Hot Gas GA1313 EP1201(2)	
				UA4400 MUA2300(2), MUA4400(3)	
				Hot Rod H1201(2), H3201(3) Hot Gas GA3623	
				EP1601(2), EP3601(3)	
				RC1, 1½, 2, 2½, 3	
30617	862 - 1816	467mm (18")		RA1400(1), RA2400(2)	
30618	862 - 1824	467mm (18")	MM702	RA1800(1)	
3067	862 - 2016	508mm (20")	MM254	UA2300, UA3400 MUA3400(2)	
				Hot Rod H1601(2), H2401(2)	
				Hot Gas GA1823, GA2653 EP2401(2)	
				RC4, 5, 6, 7, LAC10, MAC	
				Remote Condenser RC1, 1½, 2, 2½, 3 Reverse Flow	
862 - 1820	467mm (18")			Remote Condenser RC4, 5, 6, 7 Reverse Flow	
862 - 2016	508mm (20")				

PARTS FOR OLD SERIES H.T.C. ROTAJET EVAPORATIVE CONDENSERS

FAN BLADES					
CAT. NO.	MODEL	PART NO.	BLADE DIAM.	NO. BLADES	PITCH DEGREES
30638	FEC 2.5	15-8-4/3R/35°	14¾"	4	35
30639	FEC 4	15-8-8/3R/35°	14¾"	8	35
30640	FEC 6	18-8-4/3R/35°	17¾"	4	35
30641	FEC 8	15-8-8/3R/35°	14¾"	8	35
30642	FEC 12	18-8-4/3R/35°	17¾"	4	35
CENTRIFUGAL WATER SLINGER					
30645	SMALL SLINGER - Suits Models FE - 2.5, 4, 8.				
30646	LARGE SLINGER - Suits Models FE - 6, 12.				

TECH. DATA - REFERENCE ONLY			
HEAT REJECTION BTU/HR *	COIL AREA SQ. FT.	AIR VOL. CFM	WATER EVAP. ** G.P.H.
30,000	21.5	750	3.0
48,000	34.6	1200	4.8
72,000	51.5	1800	7.2
96,000	69.2	2400	9.6
144,000	103.0	3600	14.4

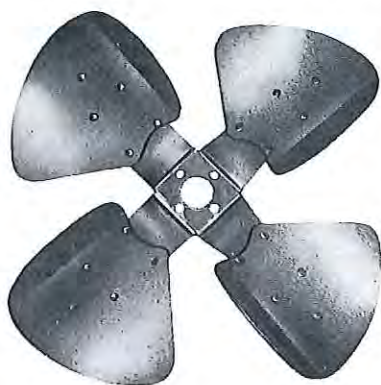
* At 100°F Cond. 73°F W.B. entering air.

** Actual water evaporated - Total water used would be plus bleed-off

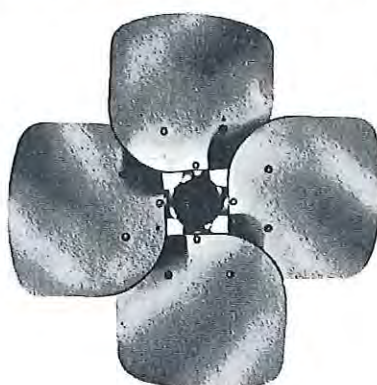
IF IT IS NOT LISTED IN THIS CATALOGUE - ASK US ANYWAY
WE HAVE MANY ITEMS AND ACCESSORIES TOO NUMEROUS TO LIST
WE CAN PROBABLY HELP YOU

FAN BLADES

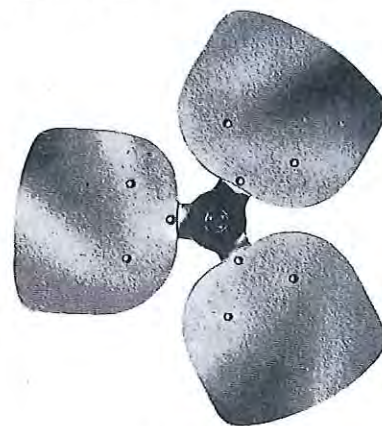
BRINSMEAD & FAN BLADES PTY. LTD.



TYPE "V"
FLANGE MOUNTING SERIES



TYPE "X"
HEAVY DUTY SERIES

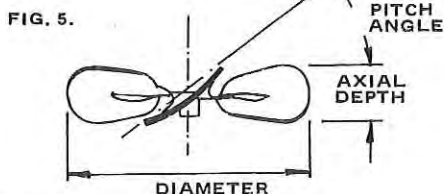
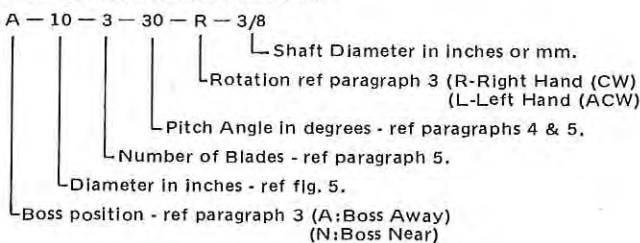


TYPE "T"
UNIVERSAL SERIES

HOW TO ORDER :

1. When ordering specify complete Part No. & Catalogue No.

2. PART NUMBERING SYSTEM :



3. ROTATION AND BOSS POSITION :

Both the fans rotation and boss position are determined when facing the blade from its discharge side, irrespective of its relationship to the drive motor.

Table 1 has been provided as an aid in determining the correct rotation and boss position.

NOTE: Drive motor rotation is determined facing its shaft end.

4. PITCH ANGLE:

Where the pitch angle (ref fig 5) is not available leave this section of the part number blank and state separately the axial depth in inches (ref fig 5).

NOTE: If the axial depth is important include both dimensions.

5. NEW APPLICATIONS :

Where exact blade specifications are not known specify as much of the part number as possible plus the following data;

- a) Motor - Type i.e. shaded pole, capacitor run, split or three phase
Speed in RPM
Power in watts output or horsepower (HP).
- b) Air flow required in CFM or litres/s.
- c) Static air pressure in inches water gauge or Pa.

TABLE 1.

MOTOR ROTATION AND RELATIONSHIP TO FAN	CORRECT BLADE PART NUMBER	MOTOR ROTATION AND RELATIONSHIP TO FAN
 CLOCKWISE	A-00-0-00-R	 ANTICLOCKWISE
 ANTICLOCKWISE	A-00-0-00-L	 CLOCKWISE
 CLOCKWISE	N-00-0-00-R	 ANTICLOCKWISE
 ANTICLOCKWISE	N-00-0-00-L	 CLOCKWISE

ALUMINIUM BLADES

CAT. NO.	FAN BLADES P/L PART No. WITH BOSS	BLADE DIAMETER	PITCH DEGREES	BORE	On Anticlockwise Motor (Viewed from Motor end)		On Clockwise Motor (Viewed from Motor end)	
					AIR DIRECTION	BOSS POSITION	AIR DIRECTION	BOSS POSITION
3073	A10530R	10" L.D.	30	5/16"	Reverse	Away	Forward	Near
30797	N10329R	10" L.D.	31	5/16"	Reverse	Near	Forward	Away
3071	A7530R	7" L.D.	30	5/16"	Reverse	Away	Forward	Near
3072	A8530R	8" L.D.	30	5/16"	Reverse	Away	Forward	Near
3074	N8534R	8" L.D.	34	5/16"	Reverse	Near	Forward	Away
3075	N8534L	8" L.D.	34	5/16"	Forward	Away	Reverse	Near
3076	N9534R	9" L.D.	34	5/16"	Reverse	Near	Forward	Away

FAN BLADES



CAT. NO.	FAN BLADES P/L PART NO.	BRINSMEAD PART NO.	BLADE DIAMETER	PITCH DEGREES	BORE	On Anticlockwise Motor (Viewed from motor end)		On Clockwise Motor (Viewed from motor end)	
						AIR DIRECTION	BOSS POSITION	AIR DIRECTION	BOSS POSITION
3078	A96315R	209	9½" L.D.	15	5/16"	Reverse	Away	Forward	Near
3079	N8328R	210	8" L.D.	25	5/16"	Reverse	Near	Forward	Away
30710	N8334L	211	8" L.D.	33	5/16"	Forward	Away	Reverse	Near
30711	N10318L	212	10" L.D.	15	5/16"	Forward	Away	Reverse	Near
30712	A12315R	213	12" L.D.	15	5/16"	Reverse	Away	Forward	Near
30713	A12315L	215	12" L.D.	15	5/16"	Forward	Near	Reverse	Away
30714	N96324L	217	9½" L.D.	33	5/16"	Forward	Away	Reverse	Near
30715	N7328L	219	7" L.D.	25	5/16"	Forward	Away	Reverse	Near
30716	A12320R	220	12" H.D.	19	5/16"	Reverse	Away	Forward	Near
30717	A16320R	221	16" H.D.	19	9/16"	Reverse	Away	Forward	Near
30718	A10328L	223	10" L.D.	26	5/16"	Forward	Near	Reverse	Away
30719	N12315L	225	12" L.D.	15	5/16"	Forward	Away	Reverse	Near
30720	N1038L	226	10" L.D.	8	5/16"	Reverse	Near	Forward	Away
30721	A8315R	227	8" L.D.	15	5/16"	Reverse	Away	Forward	Near
30722	A7½329L	229	7½" L.D.	29	5/16"	Forward	Near	Reverse	Away
30723	A1038L	231	10" L.D.	8	5/16"	Forward	Near	Reverse	Away
30724	N8330L	232	8" L.D.	29	5/16"	Forward	Away	Reverse	Near
30725	A10329L	233	10" L.D.	33	5/16"	Forward	Near	Reverse	Away
30726	N10329L	235	10" L.D.	36	5/16"	Forward	Away	Reverse	Near
30727	N838R	236	8" L.D.	8	5/16"	Reverse	Near	Forward	Away
30728	A838R	237	8" L.D.	8	5/16"	Reverse	Away	Forward	Near
30729	N8328R	238	8" L.D.	25	5/16"	Reverse	Near	Forward	Away
30730	N838L	240	8" L.D.	8	5/16"	Forward	Away	Reverse	Near
30731	N10329R	241	10" L.D.	33	5/16"	Reverse	Near	Forward	Away
30732	A10329R	242	10" L.D.	36	5/16"	Reverse	Away	Forward	Near
30796		428	8" L.D.						
307101	N9324R	433	12"						
30733	A10329R	446	10" L.D.	33	5/16"	Reverse	Away	Forward	Near
30734	N8329L	479	8" L.D.	26	5/16"	Forward	Away	Reverse	Near
30735	A7318R	482	7" L.D.	15	5/16"	Reverse	Away	Forward	Near
30736	A7328R	486	7" L.D.	25	5/16"	Reverse	Away	Forward	Near
30737	N10315R	489	10" L.D.	15	5/16"	Reverse	Near	Forward	Away
30738	N735R	492	7" L.D.	4	5/16"	Reverse	Near	Forward	Away
30739	N12320R	493	12" H.D.	19	5/16"	Reverse	Away	Forward	Near
30740	A7330R	514	7" L.D.	28	5/16"	Reverse	Away	Forward	Near
30741	A838L	515	8" L.D.	8	5/16"	Forward	Near	Reverse	Away
30742	A738L	516	7" L.D.	8	5/16"	Forward	Near	Reverse	Away
30743	A14310R	517	14" L.D.	15	5/16"	Reverse	Away	Forward	Near
30744	A14310L	518	14" L.D.	15	5/16"	Forward	Near	Reverse	Away
30745	A8328L	553	8" L.D.	25	5/16"	Forward	Near	Reverse	Away
30746	A9329R	593	9" L.D.	33	5/16"	Reverse	Away	Forward	Near
30747	A14320R	594	14" H.D.	19	5/16"	Reverse	Away	Forward	Near
30748	N7315R	595	7" L.D.	15	5/16"	Reverse	Near	Forward	Away
30749	A738R	603	7" L.D.	8	5/16"	Reverse	Away	Forward	Near
30750	A10329R	605	10" L.D.	27	5/16"	Reverse	Away	Forward	Near
30751	A12320L	606	12" H.D.	19	5/16"	Forward	Near	Reverse	Away
30752	A14326R	620	14" H.D.	26	5/16"	Reverse	Away	Forward	Near
30753	N10334L	629	10" H.D.	40	5/16"	Forward	Away	Reverse	Near
30754	A7332R	631	7" L.D.	31	5/16"	Reverse	Away	Forward	Near
30755	N14331L	632	14" H.D.	31	9/16"	Forward	Away	Reverse	Near
30756	N7318L	634	7" L.D.	15	5/16"	Forward	Near	Reverse	Away
30757	N12320L	635	12" H.D.	19	5/16"	Forward	Away	Reverse	Near
30758	A96318L	644	9½" L.D.	15	5/16"	Forward	Near	Reverse	Away
30759	A12316L	646	12" L.D.	16	5/16"	Forward	Away	Reverse	Near
30760	N7½334L	647	7½" L.D.	34	5/16"	Forward	Away	Reverse	Near
30761	N8332L	648	8" L.D.	32	5/16"	Forward	Near	Reverse	Away
30762	A7320L	668	7" L.D.	18	5/16"	Forward	Near	Reverse	Away
30763	N15320L	669	15" H.D.	19	9/16"	Forward	Away	Reverse	Near
30764	N16320L	670	16" H.D.	19	5/16"	Forward	Away	Reverse	Near
30765	N16320L	671	16" H.D.	19	5/16"	Forward	Away	Reverse	Near
30766	N12320R	677	12" H.D.	19	5/16"	Reverse	Near	Forward	Away
30767	N15320R	678	15" H.D.	19	1/2"	Reverse	Near	Forward	Away
30768	N15332R	679	15" H.D.	31	1/2"	Reverse	Near	Forward	Away
30769	A10329L	683	10" L.D.	30	5/16"	Forward	Away	Reverse	Near
30770	N7330L	684	7" L.D.	29	5/16"	Forward	Away	Reverse	Near

FAN BLADES CONTINUED NEXT PAGE
SECTION 5

FAN BLADES



CAT. NO.	FAN BLADES P/L PART NO.	BRINSMEAD PART NO.	BLADE DIAMETER	PITCH DEGREES	BORE	On Anticlockwise Motor (Viewed from motor end)		On Clockwise Motor (Viewed from motor end)	
						AIR DIRECTION	BOSS POSITION	AIR DIRECTION	BOSS POSITION
30771	A12332R	686	12" H.D.	31	5/16"	Reverse	Away	Forward	Near
30772	N16320R	687	16" H.D.	19	9/16"	Reverse	Near	Forward	Away
30773	N7332R	688	7" L.D.	31	5/16"	Reverse	Near	Forward	Away
30774	A16320L	689	16" H.D.	19	9/16"	Forward	Near	Reverse	Away
30775	A10332R	692	10" H.D.	36	5/16"	Reverse	Away	Forward	Near
30776	N12323R	697	12" H.D.	22	5/16"	Reverse	Near	Forward	Away
30777	A10320L	698	10" H.D.	19	5/16"	Forward	Near	Reverse	Away
30778	A12330L	700	12" H.D.	30	5/16"	Forward	Near	Reverse	Away
30779	A10329R	703	10" L.D.	30	5/16"	Reverse	Away	Forward	Near
30780	N10326L	715	10" L.D.	30	5/16"	Forward	Away	Reverse	Near
30781	N16320R	718	16" H.D.	19	9/16"	Reverse	Near	Forward	Away
30782	N8325R	722	8" L.D.	23	5/16"	Reverse	Near	Forward	Away
30783	N12320L	737	12" H.D.	19	1/2"	Forward	Away	Reverse	Near
30784	A10329L	738	10" L.D.	36	5/16"	Forward	Near	Reverse	Away
30785	A7328L	739	7" L.D.	25	5/16"	Forward	Near	Reverse	Away
30786	N10332R	740	10" H.D.	36	5/16"	Reverse	Near	Forward	Away
30787	A8328R	741	8" L.D.	26	5/16"	Reverse	Away	Forward	Near
30788	A14331R	742	14" H.D.	31	9/16"	Reverse	Away	Forward	Near
30789	A8328R	751	8" L.D.	26	5/16"	Reverse	Away	Forward	Near
30790	N12332L	752	12" H.D.	33	9/16"	Forward	Away	Reverse	Near
30791	N14336R	759	14" H.D.	36	9/16"	Reverse	Near	Forward	Away
30792	N16331R	760	16" H.D.	31	9/16"	Reverse	Near	Forward	Away
30793	N10329R	761	10" L.D.	31	5/16"	Reverse	Near	Forward	Away
30794	A16320L	763	16" H.D.	19	5/16"	Reverse	Away	Forward	Near
30795	N10329R	794	10" L.D.	31	5/16"	Reverse	Near	Forward	Away
307103	N8324L	815	8" L.D.	21	5/16"	Forward	Away	Reverse	Near
307104	N15320L	851	15" H.D.	19	9/16"	Forward	Away	Reverse	Near
307105	A9320R	865	9" L.D.	19	5/16"	Reverse	Away	Forward	Near
307106	N14320R	946	14" H.D.	22	5/16"	Reverse	Near	Forward	Away
307107	N12322L	950	12" H.D.	21	5/16"	Forward	Away	Reverse	Near
307108	A16320L	970	16" H.D.	19	9/16"	Forward	Near	Reverse	Away
307109	A16320R	973	16" H.D.	19	9/16"	Reverse	Away	Forward	Near
307110	A12316L	981	12" H.D.	16	1/2"	Forward	Near	Reverse	Away
307112	N14331R	1012	14" H.D.	31	9/16"	Reverse	Near	Forward	Away
307113	A14316L	1013	14" H.D.	19	5/16"	Forward	Near	Reverse	Away
307114	N14310L	1044	14" L.D.	15	5/16"	Forward	Away	Reverse	Near
307115	N14312R	1074	14" L.D.	22	5/16"	Reverse	Near	Forward	Away
307116	N7318R	1269	7" L.D.	8	5/16"	Reverse	Near	Forward	Away
307117	A7318R	1270	7" L.D.	16	5/16"	Reverse	Away	Forward	Near
307118	A7326R	1271	7" L.D.	24	5/16"	Reverse	Away	Forward	Near
307119	N8316R	1272	8" L.D.	16	5/16"	Reverse	Near	Forward	Away
307120	N8326L	1273	8" L.D.	24	5/16"	Forward	Away	Reverse	Near
307126	A14336L	1455	14" H.D.	36	9/16"	Forward	Near	Reverse	Away
307127	A14315R	1488	14" L.D.	15	3/8"	Reverse	Away	Forward	Near
307128	N96318R	1747	9 1/2" L.D.	15	1/4"	Reverse	Near	Forward	Away
307129	A16332R	2233	16" H.D.	31	1/2"	Reverse	Away	Forward	Near
307130	A14326R	2372	14" H.D.	26	1/2"	Reverse	Away	Forward	Near
307131	N14326R	2414	14" H.D.	26	9/16"	Reverse	Near	Forward	Away
307132	A14326R	2725	14" H.D.	26	9/16"	Reverse	Away	Forward	Near
307133	A96332R	2800	9 1/2" L.D.	31	5/16"	Reverse	Away	Forward	Near
307134	A16320R	2818	16" H.D.	19	1/2"	Reverse	Away	Forward	Near
307135	N9330L	3200	9" L.D.	30	5/16"	Forward	Away	Reverse	Near
307136	A8336R	3204	8" L.D.	36	5/16"	Reverse	Away	Forward	Near
307137	N10332R	3209	10" L.D.	30	5/16"	Reverse	Near	Forward	Away
307138	N10324R	3212	10" H.D.	25	5/16"	Reverse	Near	Forward	Away
307139	A10332R	3274	10" H.D.	30	5/16"	Reverse	Away	Forward	Near
307140	N12330L	3295	12" H.D.	30	5/16"	Forward	Away	Reverse	Near
307141	N12329R	3313	12" H.D.	31	5/16"	Reverse	Near	Forward	Away
307142	A9330L	3644	9" L.D.	30	5/16"	Forward	Near	Reverse	Away
307143	A8332R	3718	8" L.D.	31	5/16"	Reverse	Away	Forward	Near
307144	N10329L	3892	10" L.D.	31	5/16"	Forward	Away	Reverse	Near
307145	N16330R	3898	16" H.D.	29	1/2"	Reverse	Near	Forward	Away
307146	N16320R	5297	16" H.D.	19	1/2"	Reverse	Near	Forward	Away
307147	N16320R	5298	16" H.D.	19	1/2"	Reverse	Near	Forward	Away

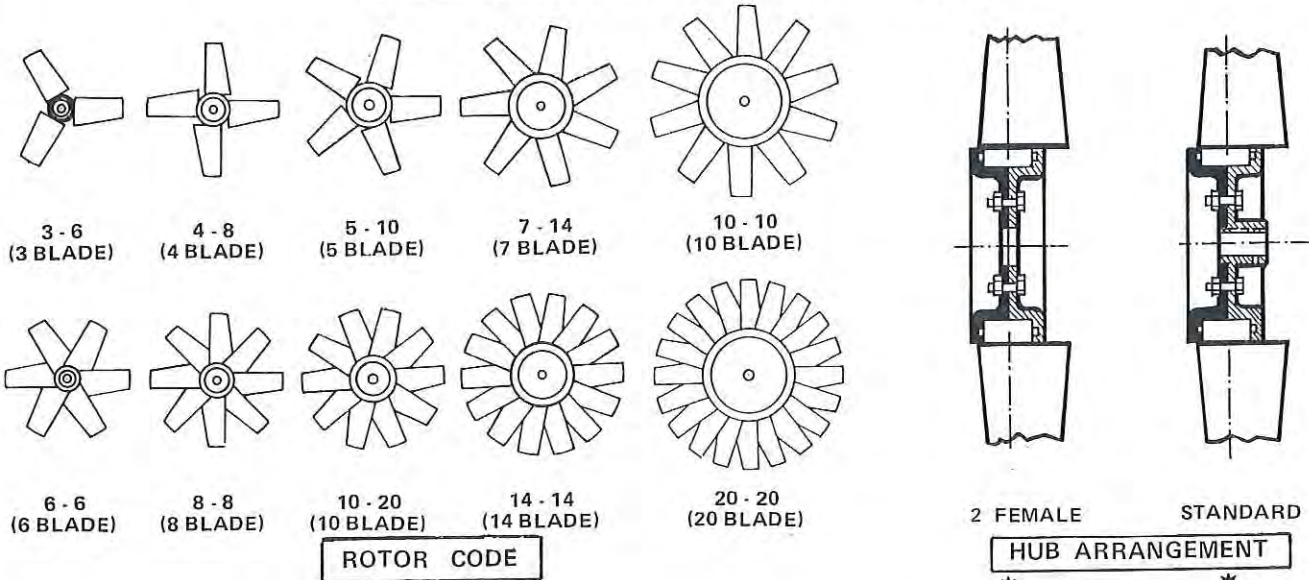
AXIAL FLOW FAN BLADES (ROTORS)



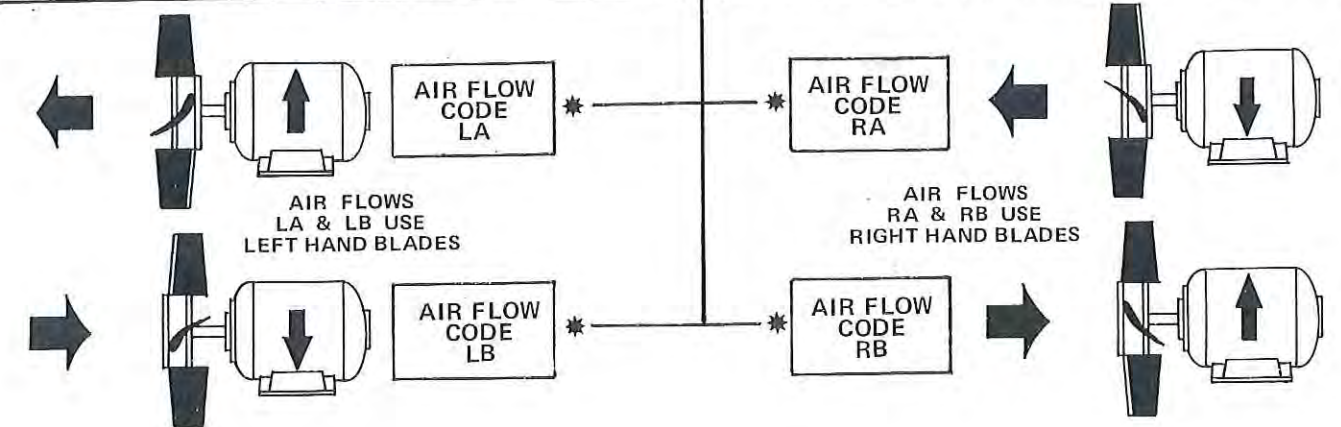
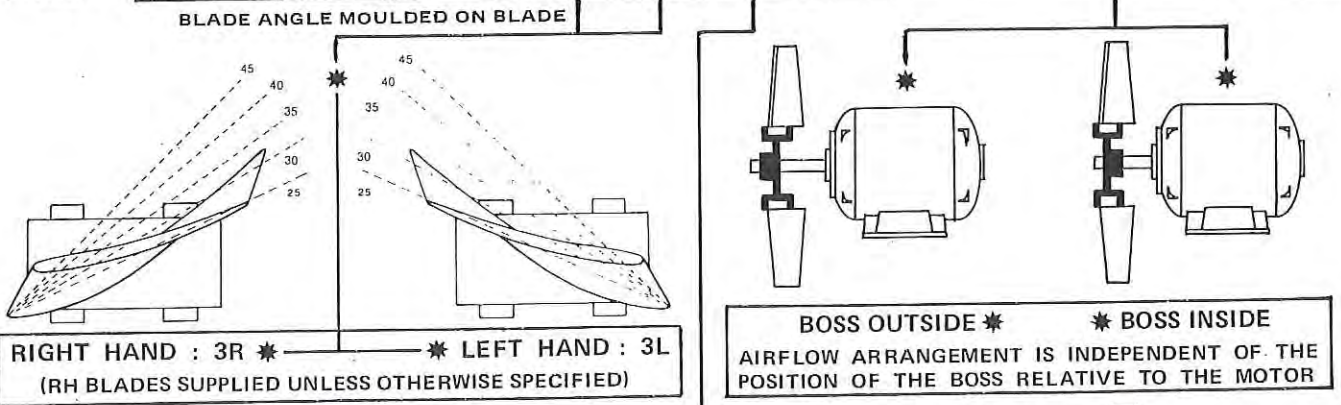
- MATERIAL : POLYPROPYLENE BLADES – ULTRA-VIOLET STABILISED, ALUMINIUM HUBS.
- TEMP. RANGE : -23 to +71°C (-10 to +160°F)
- MAX. TIP SPEED : 18000 FEET PER MINUTE
- BALANCING : NORMALLY NOT REQUIRED

COMPLETE INTERCHANGEABILITY OF COMPONENT PARTS
ORDERING PROCEDURE

TO ENSURE THAT THE ASSEMBLY OR PARTS ARE DELIVERED EXACTLY TO SPECIFICATION
IT IS IMPORTANT THAT THE CODING AS SET OUT BELOW BE USED



EXAMPLE ROTOR ONLY	1	26" Actual	7-14	3L	30°	LB	24mm	8 x 3.5	Inside	Standard
SPECIFY WHEN ORDERING	QUANTITY	DIAMETER ACTUAL OR NOMINAL	ROTOR CODE	BLADE TYPE	BLADE ANGLE	AIR FLOW CODE	BORE	KEYWAY WIDTH X SIDE DEPTH	BOSS INSIDE OR OUTSIDE	HUB ARRGT. STANDARD OR 2 FEMALE
EXAMPLE BLADES ONLY	3	26" Actual	7-14	3L	30°	LB	Cut Blades only			





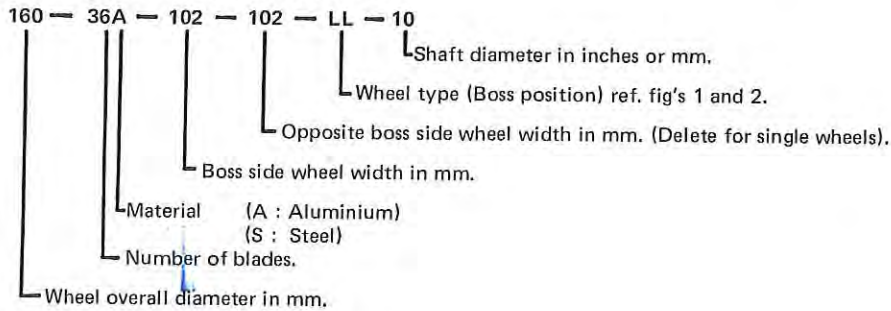
CENTRIFUGAL FAN BLOWER WHEELS

FAN BLADES PTY. LTD.

HOW TO ORDER BLOWER WHEELS

1. When ordering specify the complete catalogue number.

2. CATALOGUE NUMBERING SYSTEM :



3. ROTATION :

The wheels rotation is determined when facing the boss irrespective of its relationship to the drive motor. The motor rotation is determined by facing the shaft end.

4. NEW APPLICATIONS :

Where exact wheel specifications are not known specify as much of the catalogue number as possible plus the following data :

- (a) Motor - Type i.e. shaded pole, capacitor run, split or three phase;
Speed in RPM
Power in watts or horsepower (HP)
- (b) Air flow required in CFM or Litre/sec.
- (c) Static air pressure in inches water gauge or Pascals (Pa).

METRIC (SI) CONVERSION

VOLUME
(Unit: Litres per second = Litre/s)
Litre/s = CFM x 0.472
CFM = Litre/s x 2.119

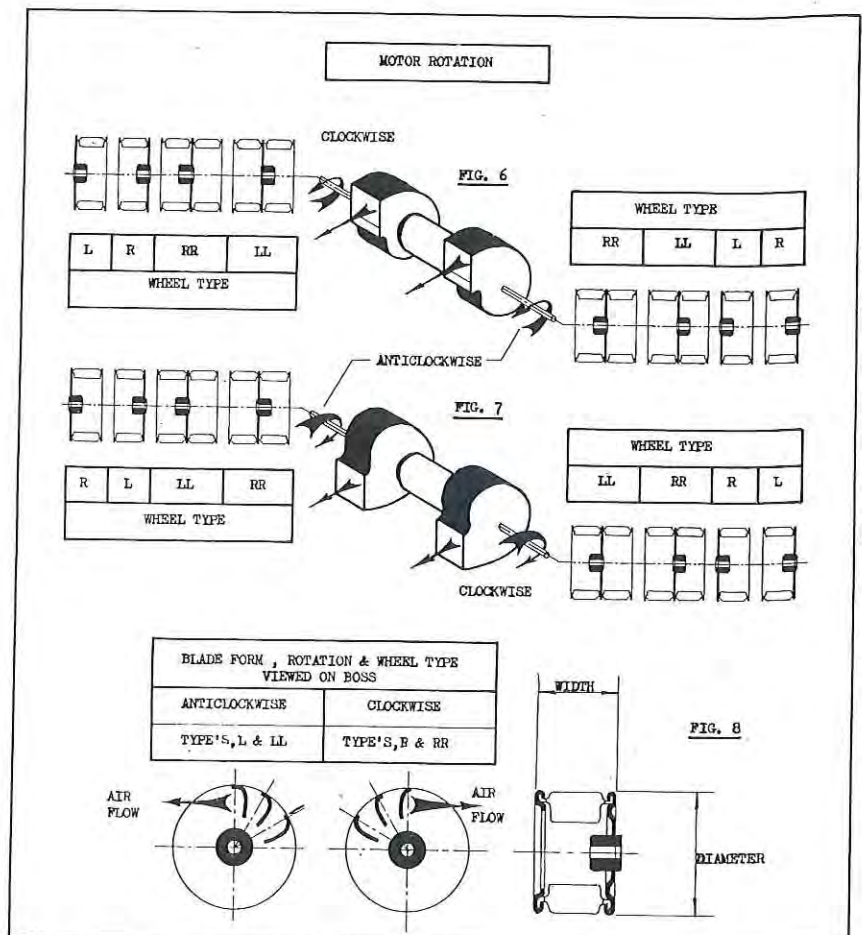
VELOCITY
(Unit: Metres per second = m/s)
m/s = FPM x 0.00508
FPM = m/s x 196.85

PRESSURE
(Unit: Pascal = Pa)
Pa = Ins. WG x 248.6
Ins. WG = Pa x 0.004023

SPEED
(Unit: Revolutions per second = rev/s)
rev/s = RPM x 0.01667
RPM = rev/s x 60

POWER
(Unit: Kilowatt = kW)
kW = HP x 0.746
HP = kW x 1.341

DENSITY
(Unit: Kilograms per cub. Metre = kg/m³)
kg/m³ = lbs/ft³ x 16.02
lbs/ft³ = kg/m³ x 0.06243



WE WILL BE GLAD TO QUOTE ON LARGE QUANTITIES

FAN MOTORS

BETTS 'A' SERIES - SLEEVE BEARING MOTOR SHADED POLE - 4 POLE - THREADED SHAFT - 240 VOLT 50 Hz.

CAT. NO.	MODEL	WATTS OUTPUT	STACK mm
3091	A101 - 28A	4	17
	A107 - 21A	8	26
3092	A121 - 07A	12	26 (with O/L)
3099	A120 *	4	17

* Motor as A101 but fitted with spider mounting bracket and 7" plastic blade.

APPLICATIONS :

- COMMERCIAL AND DOMESTIC REFRIGERATION.
- ROOM HEATERS.
- VENTILATING FANS.
- ELECTRONIC EQUIPMENT COOLING.



BETTS - "FM" SERIES FAN MOTORS 30D STANDARD RANGE 4 POLE - SHADED POLE - BALL BEARING EVAPORATOR & CONDENSER APPLICATIONS

The BETTS "FM" range of 240 volts 50Hz. motors (CS573N certificate of suitability) offering outputs from 10 to 60 Watts are available in either Clock or Anti-Clockwise Rotation and are ideally suited to all types of fan load applications. All motors are fitted with 140°C rated automatic resetting thermal overload protectors and single row, deep groove, double sealed, noise tested ball bearings with lifetime lubrication.

CAT. NO.	MODEL	PART No.	VOLTS AC 50Hz	AMPS	WATTS Output	RPM Nom.	DIMENSIONS - mm			BRINSMEAD EQUIV.	REPLACES
							Shaft Dia.	Body Dia.	Body Lgth.		
30910	FM1-A	30D501-61A	240	0.3	10	1300	7.925	102.0	59.7	BG2 & 6	D101,D143,D155 D102,D106,D142
30911	FM1-C	30D501-61C					7.912				
3093	FM2-A	30D502-61A	240	0.5	20	1300	"	"	65.7	-	-
3094	FM2-C	30D502-61C					"				
30912	FM3-A	30D503-61A	240	0.75	40	1300	"	"	72.7	BG3 & 7	D156,F103B/20A -
30913	FM3-C	30D503-61C					"				
30914	FM4-A	30D504-61A	240	0.9	50	1300	"	"	78.7	-	-
30915	FM4-C	30D504-61C					"				
3095	FM5-A	30D506-61A	240	1.0	60	1300	"	"	84.7	-	-
3096	FM5-C	30D505-61C					"				

NOTE: ALL ABOVE MOTORS ARE ON BASIS OF MINIMUM QUANTITY PURCHASE ONLY

BETTS '35F' SERIES SHADED POLE TOTALLY ENCLOSED BALL BEARING MOTORS CLASS "E" INSULATION



APPLICATIONS

- AIR CIRCULATORS
- ROOM AIR CONDITIONERS
- PACKAGED AIR CONDITIONERS

Nominal RPM 1400 Amps 1.4
Mounting - Round body with lugs -
3 mounting holes 9/32" Dia. on 6 3/4" PCD.

CAT. NO.	MODEL	VOLTS AC	WATTS Output	KIRBY Model	BRINSMEAD Model
	35F117-05A	240	75	MPB421B	E323A
	35F117-06A	240	75	MPB4220	-
	35F118-05A	415	75	MPB4250	E319A
	35F118-07A	415	75	MPB4260	-
31089	35F117-10A	240	75	-	E287A
31090	35F117-10C	240	75	-	E287C 32FE003
	35F121-01C	240	70	-	32FE005

FAN MOTORS BETTS SPECIAL RANGE

CAT. NO.	MODEL	BRINSMEAD No.	VOLTS AC	WATTS OUTPUT
30916	30D507 - 70C		415	10
30917	30D508 - 70A		415	20
30933†	30D509 - 70C	BG4C	415	40
31076†*	30D521 - 70A	BP123A	240	16
	30D503 - 70C		240	
31080†*	30D503 - 71C	BP112C	240	25
31079†*	30D501 - 76C	BP40C	240	10
	30D501 - 74C		240	
31077†*	30D505 - 70C	BP146C	240	37.5
	30D522 - 70A		240	20 (TEFC)

† CAT. NO's refer to Brinsmead equivalent AND * indicates they are on basis of Minimum Quantity Purchase Only.

BETTS 'C' SERIES

2 POLE - SHADED POLE - 240 VOLT 50 Hz. MOTOR

CAT. NO.	MODEL	BEARINGS	WATTS OUTPUT
31053	FAC 234	Sleeve	4
	40C019 - 02A	Ball	6
	40C024 - 01A	Ball	10

BETTS 'D MAX' - 39D - STANDARD RANGE

240 VOLT 50 Hz. MOTOR

SHADED POLE - 4 POLE - SLEEVE BEARING



The "D MAX" range of 240 volt 50 Hz. motors offering outputs from 10 to 60 watts are available in either Clockwise or Anti-Clockwise rotation and are ideally suited to all types of load applications. All motors are fitted with 140°C rated automatic resetting thermal overload protectors and self-aligning sleeve bearings with lifetime lubrication (Approx. 40,000 Hours).

APPLICATIONS

CONDENSER FAN (Commercial & Domestic Refrigeration)
VENTILATING FANS - ROOM HEATERS - RANGE HOODS
ELECTRONIC EQUIPMENT COOLING - MIXERS
AND OTHER LIGHT POWER APPLICATIONS

MOTOR SELECTION CHART

BLADE PITCH	BLADE DIAMETER					
	Typical 3 Bladed Fabricated Commercial Propeller Fan					
	200 mm	230 mm	250 mm	300 mm	350 mm	400 mm
10°	D501 (59.0)	D501 (83.1)	D501 (106)	D501 (189)	D502 (307)	D503 (519)
15°	D501 (71.0)	D501 (106)	D501 (142)	D501 (247)	D503 (425)	D504 (613)
20°	D501 (85.0)	D501 (123)	D501 (165)	D502 (283)	D503 (519)	D505 (708)
25°	D501 (106)	D501 (151)	D501 (212)	D502 (354)	D504 (613)	—
30°	D501 (130)	D501 (189)	D501 (260)	D503 (448)	D505 (708)	—
35°	D501 (156)	D501 (217)	D502 (283)	D503 (519)	—	—
40°	D501 (189)	D502 (260)	D502 (330)	D505 (590)	—	—
45°	D502 (236)	D502 (307)	D503 (378)	—	—	—

NOTE: Figures shown in brackets represent approximate Litre/second (L/s) Air Flow free in air at 1300 RPM.

Conversion: Multiply L/s by 2.1186 = CFM. Multiply CFM by 0.472 = L/s

CAT. NO.	MODEL	WATTS OUTPUT	AMPS	RPM
	39D501-21A	10	0.3	1300
	39D501-21C			
	39D502-21A	20	0.5	1300
	39D502-21C			
	39D503-21A	40	0.75	1300
	39D503-21C			
	39D504-21A	50	0.9	1300
	39D504-21C			
	39D505-21A	60	1.0	1300
	39D505-21C			

FAN MOTORS

BRINSMEAD



GENERAL PURPOSE FRACTIONAL HORSE POWER

Applications include Refrigeration condenser fans – Evaporator fans – Water coolers – Controlled temperature display cabinets – Drink dispensers – Pumps – Reduction gear boxes – Domestic heating and all Air movement applications.

ROTATION – CLOCKWISE OR ANTI-CLOCKWISE (SHAFT END)
 MOTOR COLOURS – BLACK: ANTI-CLOCKWISE. GREY: CLOCKWISE
 SUPPLY LEAD – P.V.C., 26" OUTSIDE MOTOR.

CAT. NO.	TYPE	VOLTS	AMPS	OUTPUT		RPM (NOM)	DIMENSIONS – INCHES				MOUNTING	BEAR.
				WATTS	HP		SHAFT DIAM.	SHAFT LENGTH	BODY DIAM.	BODY LENGTH		
30926	BG1-A	240	0.3	10	0,013	1300	5/16	1 1/4	4.1/16	2. 7/16	7 Points 3/16" BSW each end	Ball
30927	BG1-C									2.19/32		
30928	BG2-A	240	0.3	13	0,017	1300	5/16	1 1/4	4.1/16	2.19/32	"	Ball
30929	BG2-C									3. 3/32		
30930	BG3-A	240	0.7	40	0,054	1300	5/16	1 1/4	4.1/16	3. 3/32	"	Ball
30931	BG3-C									3. 3/32		
* 30932	BG4-A	415	0.3	40	0,054	1300	5/16	1 1/4	4.1/16	3. 3/32	"	Ball
* 30933	BG4-C									2.19/32		
* 30934	BG5-A	240	0.3	13	0,017	3 Speed	5/16	1 1/4	4.1/16	2.19/32	"	Ball
* 30935	BG5-C									2.19/32		
* 30936	BG6-A	240	0.3	13	0,017	1300	5/16	1 1/4	4.1/16	2.19/32	"	Ball
* 30937	BG6-C									3.3/32		
* 30938	BG7-A	240	0.7	40	0,054	1300	5/16	1 1/4	4.1/16	3.3/32	"	Ball
* 30939	BG7-C									120° Thermal Protector		

NOTE – When ordering:— Motor should be suffixed by "A" (A.C.W.) or "C" (C.W.) which determines rotation – shaft end, e.g. – BG1C (clockwise)

* MOTORS MARKED WITH ASTERISK (*) ARE ON BASIS OF MINIMUM QUANTITY PURCHASE ONLY.
 Motors NOT marked with (*) are Off-Shelf Items.

FURTHER BRINSMEAD FAN MOTORS ARE LISTED ON PAGE 310-d
 BRINSMEAD FAN MOTOR REPLACEMENTS – REFER TECH. PAGES 310-e, 310-f, 310-g and 310-h

KELVINATOR DOMESTIC FAN MOTORS

CAT. NO.	BIN No.	PART No.
30950	PH668	KA53811
30951	PH667	KA53637
30953	PD674	SR786
30955	RC415	KA31869
30958	RC264	—
30960	RC251	KA25990

CAT. NO.	BIN No.	PART No.
30962	RC263	KA28723
30964	L237	KA28625
30966	PH666	KA53539
30968	RD870	KA56575
30969	RF113	KA60453

ORIGINAL EQUIPMENT MANUFACTURERS (OEM)
 YOU CAN PURCHASE ALL KINDS OF COMPONENTS AND EQUIPMENT FROM US AT A SAVING IN PRICE
 ASK US FOR A QUOTATION

OUR STOCK OF COMPONENTS, EQUIPMENT AND SYSTEMS FOR AIR CONDITIONING, HEATING, COMMERCIAL AND INDUSTRIAL REFRIGERATION IS UNSURPASSED THROUGHOUT AUSTRALIA

FAN MOTORS & MOUNTING BRACKETS

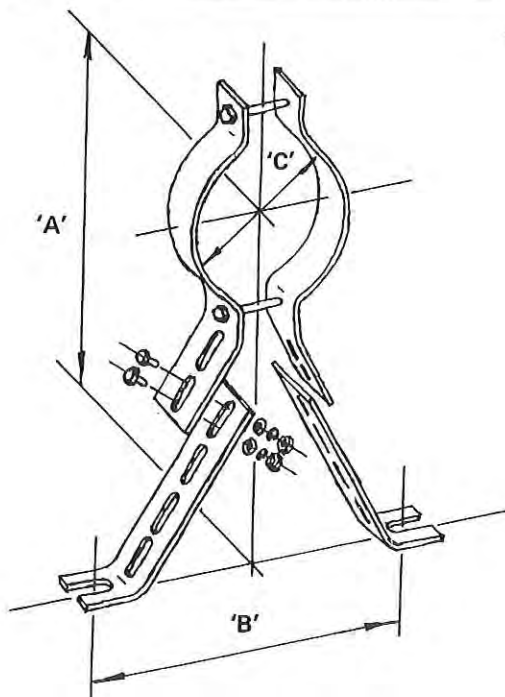
FAN MOTOR SELECTION CHART							
BLADE PITCH	MAKE CFM	BLADE DIAMETER					
		(Typical 3 bladed fabricated commercial propellor fan)					
		8"	9"	10"	12"	14"	16"
10°	Betts	FM1	FM1	FM1	FM1	FM2	FM3
	Brinsmead	BG1	BG1	BG1	BG2	BG3	BG3
	CFM	(125)	(175)	(225)	(400)	(650)	(1100)
15°	Betts	FM1	FM1	FM1	FM1	FM3	FM4
	Brinsmead	BG1	BG1	BG1	BG2	BG3	32FE005
	CFM	(150)	(225)	(300-340)	(500-525)	(900)	(1300)
20°	Betts	FM1	FM1	FM1	FM2	FM3	FM5
	Brinsmead	BG1	BG1	BG1	BG3	BG3	32FE005
	CFM	(180)	(260)	(350)	(600-700)	(1100)	(1500-1600)
25°	Betts	FM1	FM1	FM1	FM2	FM4	—
	Brinsmead	BG1	BG1	BG2	BG3	32FE005	32FE003
	CFM	(225)	(320)	(450-475)	(750-820)	(1300)	(1900)
30°	Betts	FM1	FM1	FM1	FM3	FM5	—
	Brinsmead	BG1	BG2	BG2	BG3	32FE005	—
	CFM	(275)	(400)	(550)	(950-1000)	(1500)	—
35°	Betts	FM1	FM1	FM2	FM3	—	—
	Brinsmead	BG2	BG2	BG3	BG3	32FE003	—
	CFM	(330)	(460)	(600)	(1100)	(1700)	—
40°	Betts	FM1	FM2	FM2	FM4	—	—
	Brinsmead	BG2	BG3	BG3	32FE005	—	—
	CFM	(400)	(550)	(700)	(1180-1250)	—	—
45°	Betts	FM1	FM2	FM3	—	—	—
	Brinsmead	BG2	BG3	BG3	32FE003	—	—
	CFM	(500)	(650)	(800)	(1270)	—	—

NOTE: Figures shown in brackets represent approximate CFM air flow free in air at 1300 r.p.m.

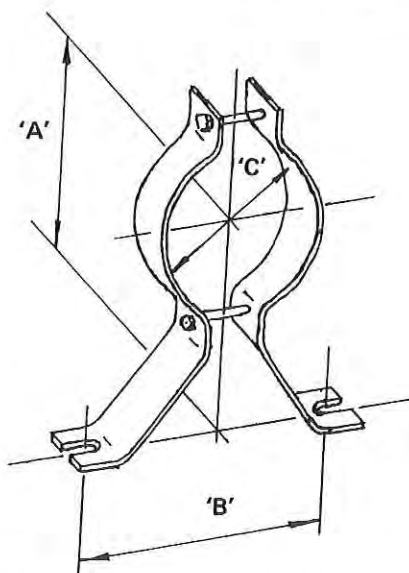
MOTOR MOUNTING BRACKETS

CLAMP TYPE — RUGGED CONSTRUCTION
PLATED FINISH — RUST PROOF

5



ADJUSTABLE LIGHT DUTY
Material : 1½" x 14 BG. MS.



STANDARD LIGHT DUTY
Material : 1½" x 14BG. MS.



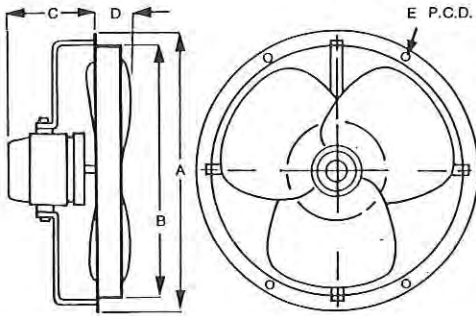
COMPLETE CLAMP
BOLTS AND NUTS

TYPE	CAT. NO.	MFG. PART NO.	CENTRE HEIGHT 'A'		FEET CENTRES 'B'		MOTOR DIAM. 'C'
			MAX.	MIN.	MAX.	MIN.	
STANDARD LIGHT DUTY	30918	FB7	5.5/16"		6.1/2"		4"
STANDARD LIGHT DUTY	30919	FB8	7.1/4"		6.3/4"		4"
ADJUSTABLE LIGHT DUTY	30920	FB19	10.1/4"	4.11/16"	8.3/4"	4.5/16"	4"

ALL FEET MOUNTING SLOTS & HOLES SUIT 5/16" MAX. DIAM. BOLTS.

Mistral FANS

HEAVY DUTY RING MOUNTED EXHAUST FANS



FEATURES

AVAILABLE IN FORWARD OR REVERSE AIR DIRECTION

- ★ Ease of Installation
- ★ Standard mounting
- ★ Fully tested balanced blades
- ★ Maximum air delivery with minimum power input and noise level
- ★ Economical cost
- ★ Locally available stock
- ★ Minimum maintenance

CAT. NO.	MODEL	SIZE		Nom. Speed RPM	Elect. Volts Hz.	Free Air Displacement		Watts Input Free Air	Amps Input Free Air	DIMENSIONS — mm					
		mm	Ins.			L/s	CFM			A	B	C	D	E	Mtg. Hole
3101	XHR12	305	12	1420	240/50	470	1000	90	0.7	375	324	168	35	352.5	7
3102	XHR16	406	16	1400	240/50	752	1600	180	1.4	508	427	184	41	473	9

MODEL	NOM. SPEED RPM	PERFORMANCE DATA												Sound Pressure Level at Free Air dB(A) at 3 metres
		AIR DISPLACEMENT — L/s						AIR DISPLACEMENT — CFM						
		System Resistance — mm WG / ins. WG												
		Free Air	0.094	0.187	0.374	0.56	0.748	Free Air	0.05	0.1	0.2	0.3	0.4	
XHR12	1420	470	423	352	202	—	—	1000	900	750	430	—	—	47
XHR16	1400	752	705	658	634	446	305	1600	1500	1400	1350	950	650	53

Mistral

WALL OR CEILING MOUNT EXHAUST FANS



KE 250



BE 200



UE 300

CAT. NO.	MODEL	SIZE (Dia.mm)	CAPACITY		Hole Size (Dia.mm)	APPLICATIONS
			m ³ /hr	ft ³ /hr		
3108	BE 200	200	373	13,350	245	OFFICE, KITCHEN, LOUNGE FAMILY ROOM, LAUNDRY
3109	KE 250	250	583	20,820	295	ENSUITE/BATHROOM
31010	UE 300	300	660	23,600	345	OFFICE, WORKSHOP LARGE KITCHEN LOUNGE, FAMILY ROOM

Electrical Rating: 240 Volt AC 50Hz.

RECOMMENDED AIR CHANGES PER HOUR				SELECTION EXAMPLE
DAIRIES	10	LIVING AREAS	5	
FACTORIES	8	OFFICES	10	
HOTEL BARS	15	RESTAURANTS	25	
LOUNGES	15	SCHOOL CLASSROOMS	4	
KITCHENS	25	SHOPS	15	
LABORATORIES	15	HEAVY SMOKING AREAS	17.5	

SIMPLE FACTS FOR SATISFACTORY FAN SELECTION AND INSTALLATION.

1. Locate Fans to blow with prevailing winds, wherever possible.
2. If fans are located above windows, ensure windows are closed when fan is operating otherwise air is simply recirculated and effectiveness in the working area is reduced.
3. Fumes or air removed by Fans must be replaced by equivalent amounts of fresh air and proper openings provided in the space being ventilated to permit entry of this fresh air.
 - (a) Locate such intake areas to take advantage of positive pressure produced by prevailing winds.
 - (b) Provide intake areas at least 20% greater than the area of the exhaust orifice.
4. Locate Fans with respect to intake areas so that maximum scavenging effect will be obtained by fresh air sweeping over the working areas.
5. Where steam, excessive heat and odours are encountered, locate Fans near the ceiling and if possible or practical, hood the source to obtain an air velocity of at least 100 ft. per minute through face of hood.
6. It is often advisable to use two or more smaller Fans in place of one large Fan to provide better air distribution and more flexible operation.
7. Insect screening is not recommended for use with exhaust Fans. Such screening will materially reduce the effective air removal by the Fan and will require frequent cleaning to prevent subsequent overloading of the Fan motor.

MULLER FAN MOTORS

CAT. NO.	MOTOR MAKE & FRAME NO.	KELV. BIN. NO.	SUITS MODEL
----------	------------------------	----------------	-------------

SINGLE PHASE

310103	W'House 32FE012 Brins. E390(b)	MM330	Radial - RA260(1), RA350(1), RA450(1)
310102	Westinghouse 32FE005 GMF KQBG3A12/4B Brinsmead E387C(b)	MM327 MM484	UA450, 580, 870, 1100 MUA450(1), 580(1), 870(2), 1100(2) Hot Rod H301(1), 601(2), 821(2) Hot Gas GA323, 663, 853 EP301(1), 601(2), 771(2) Radial RA580(1), 680(1)
310101	Westinghouse 32FE003 GMF KQBG3A15/4AB Brinsmead E326(b)	MM328 MM485	UA680, 1350 MUA680(1), 1350(2) Hot Rod H481(1), 941(2) Hot Gas GA513, GA1023 EP451, EP901 Radial RA870(1) RA1050(1)
310113	Westinghouse 42FE1003S(a) GMF RKEQBG4B16/4AB	MM329 MM486	UA1700, 2300, 3400 MUA1700(2), 2300(2), 3400(2) Hot Rod H1201(2), H1601(2), H2401(2) Hot Gas GA1313, 1823, 2653 EP1201(2), 1601(2), 2401(2) Radial RA1400(1), 1800(1), 2400(2)
31083	GMF LYEQBD2C16-4 Brinsmead BP136C	MM51	All RLC and ELC Coolers
31077	Brinsmead BP146C	MM105	All MLV and MLVE Coolers
31051	Eilback (c) 5/8" Stack D Frame Betts Cowl Mounted	MM593	All Ceiling and Mullion Unit Coolers
31059	Betts 3/4" Stack D Frame Cowl Mounted	MM143	Cabinet Unit Coolers - Normal Temp CSN Series - Low Temp. CSL Series
31060	Brinsmead BP154A	MM144	Cabinet Unit Coolers - Normal Temp. CDN Series - Low Temp. CDL Series
(a)	Superseded Capacitor Start/Run Motors were fitted to early production units - MM248 type 42FLL3003S fitted UA1700 and UA4400 MM249 type 42FLL3004S fitted UA2300 and UA3400		
(b)	Brinsmead motors no longer available - substitute with Westinghouse or GMF Motor		
(c)	Back mounted motors no longer available - use cowl mounted motor.		
-	Westinghouse 42FLL3004S (C.S.C.R) Brinsmead 42FE3036	MM249	Remote Condensers (optional) RC and LAC10 Series

THREE PHASE

-	Westinghouse 42FS002 Brinsmead 42FS011	MM464	UA450, 580, 680, 870, 1100, 1350 MUA450(1), 580(1), 680(1), 870(2), 1100(2), 1350(2) Hot Rod H301(1), 481(1), 601(2), 821(2), 941(2) Hot Gas GA323, 513, 663, 853, 1023 EP301(1), 451, 601(2), 771(2), 901 Radial RA580(1), 680(1), 870(1), 1050(1)
-	Westinghouse 42FS001 Brinsmead 42FS015 GMF RKTB4A11/4B	MM465 MM596	UA1700, 2300, 3400, 4400 MUA1700(2), 2300(2), 3400(2), 440 Hot Rod H1201(2), 1601(2), 2401(2), 3201 Hot Gas GA1313, 1823, 2653, 3623 EP1201(2), 1601(2), 2401(2), 3601 Radial RA1400(1), 1800(1), 2400(2) Remote Condenser - RC Series and LAC10
31062	GMF RJETBG4P8/4B Can use MM596	MM116	Remote Condenser MAC Series
-	Pope 4435-206-502S/D BS Frame 56	MM119	Rotojet Condenser FEC Series

MULLER INTER CHANGING MOTORS - REFER NEXT PAGE

FIGURE THE ODDS

BECAUSE WE BELIEVE OUR STOCK IS ONE OF THE LARGEST AND MOST COMPREHENSIVE IN THE ENTIRE INDUSTRY, THE MATHEMATICAL ODDS OF FINDING WHAT YOU WANT, WHEN AND WHERE YOU WANT IT, HAVE TO BE BETTER AT ACPAR THAN ANYWHERE ELSE.

IF TIME IS MONEY, WHY WASTE IT BY LOOKING ELSEWHERE.

5

MULLER FAN MOTORS (Cont'd)

INTERCHANGING MOTORS

WESTINGHOUSE SINGLE PHASE TO G.M.G. SINGLE PHASE

UA, GA & H Series - Completely interchangeable on all coolers manufactured after October, 1966. These have slots, in lieu of holes, in mounting arms at fan shroud. Slotted mounting arms available 3 per 14" motor P/No. 16209Y (Kit No.1.) 4 per 18" and 20" motor P/No. 16210Y (Kit No.2.).

RA Series - Completely interchangeable. Remove motor spacers.

G.M.F. SINGLE PHASE TO WESTINGHOUSE SINGLE PHASE

UA, GA & H Series - Completely interchangeable.

RA Series - 14" interchangeable. 18" and 20" motors require motor spacers. 4 per motor P/No. 16851Z (Kit No. 3.)

G.M.F. OR WESTINGHOUSE SINGLE PHASE TO G.M.F. OR WESTINGHOUSE 3 PHASE

UA, GA & H Series - 14" require 3 special arms P/No. 15595Y and 3 spacers P/No. 153272 per motor (Kit No. 4.). 18" and 20" are completely interchangeable.

RA Series - 14" 3 phase motor to suit Radial Series will not be manufactured. 18" & 20" are completely interchangeable but remote junction box to be fitted with 3 way terminal strip in lieu of 2 way and 4 core leads in lieu of 3 core.

REMOTE CONDENSER: G.M.F. OR WESTINGHOUSE 3 PHASE TO WESTINGHOUSE CAPACITOR START/RUN

Completely interchangeable. Capacitor start/run motors **only** to be used. Capacitor must be covered. S.A.A. regulations. Cover P/No. 16893Y.

REMOTE CONDENSER: G.M.F./WESTINGHOUSE 3 PHASE TO WESTINGHOUSE/G.M.F. 3 PHASE

G.M.F. to Westinghouse completely interchangeable. Westinghouse to G.M.F. interchangeable provided slotted motor arms fitted. Slotted arms available, 4 per 18" and 20" motor P/No. 16210Y (Kit No. 2)

BRINSMEAD SINGLE PHASE TO WESTINGHOUSE SINGLE PHASE

Brinsmead motors last fitted to FDC in 1963. Adaptor ring required to convert to Westinghouse P/No. 15491W. 1 kit per motor (Kit No. 5.). Brinsmead fan blades cannot be fitted to Westinghouse motors.

MOTOR CONVERSION KITS

CAT. NO.	BIN NO.	KIT NO.	DESCRIPTION
	MM491	1	3 x 14" Slotted Brackets
	MM492	2	4 x 18" and 20" Slotted Brackets
-	NLA	3	4 Spacers
-	NLA	4	3 Arms, 3 Spacers
-	NLA	5	1 Adaptor Ring, Screws, Washers, Nuts



MULLION UNIT COOLER
NORMAL TEMPERATURE



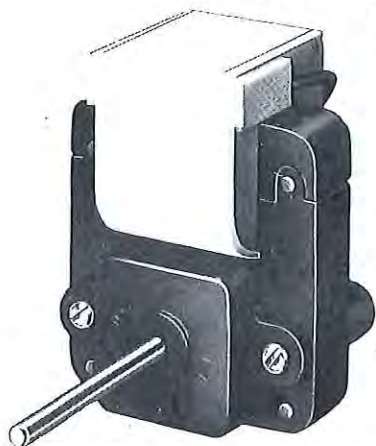
CABINET UNIT
LOW & NORMAL TEMP.



MUA PACEMAKER SERIES
NORMAL TEMPERATURE

FAN MOTORS

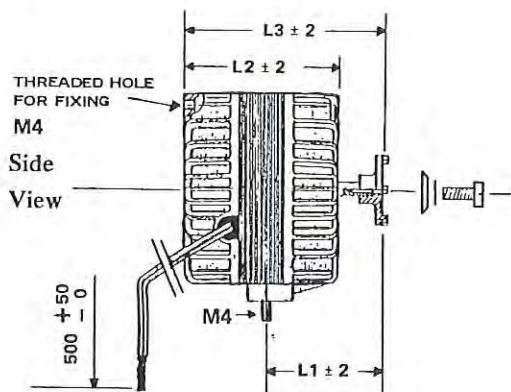
ELECTROHOME OPEN FRAME & FROST FREE FAN MOTORS - 240 VOLT 50 Hz.



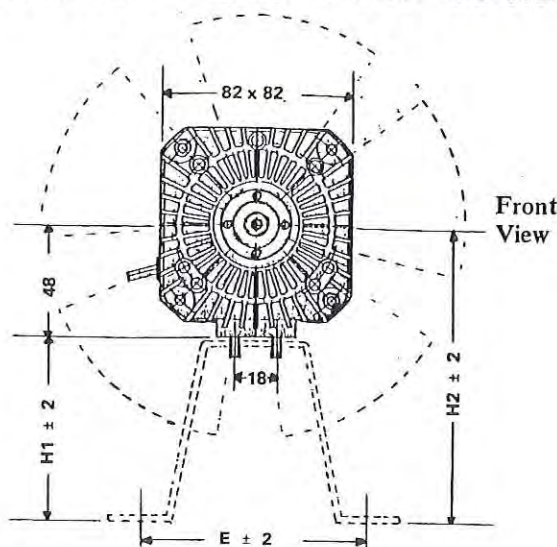
CAT. NO.	MODEL	Rotation	Amps	RPM	Watts Output	APPLICATION
OPEN FRAME FAN MOTORS						
31054	2858-206-020	ACW	0.15	2500	4.3	SUITS MULLER CDN & CDL SERIES FDC's
31056	2858-206-026	CW	0.15	2500	4.3	SUITS REPCO-BOHN TA & TL SERIES FDC's
FROST FREE FAN MOTORS FOR DOMESTIC REFRIGERATORS						
31055	2858-005-001	CW	0.09	2300	1.7	DIRECT REPLACEMENT FOR KELVINATOR AND MANY OTHER DOMESTIC "FROST-FREE" REFRIGERATORS

RADLON FAN MOTORS - TYPE 'RM'

SHADED POLE - TOTALLY ENCLOSED - 240 VOLT 50 Hz.



DIMENSIONS IN mm



TECHNICAL DATA

Threaded holes for fixing - 3 on back cover
 Position: Can be mounted and will operate with shaft in ANY position.
 Speed: 1300 RPM approx. depending on the fan blade used.
 Temperature: Can be used for ambient temperatures from -30° to +50°C (-22° to +122°F).
 Lubrication: Will operate for several years WITHOUT lubrication (long life lubrication).
 Rotation: CCW = Counter clockwise (Suction Type) CW = Clockwise (Blower Type).
 Insulation: Class E

CAT. NO.	MODEL	Rotation	WATTS OUTPUT	AMPS	SUGGESTED BLADES		DIMENSIONS - mm					
					Dia. mm	Pitch	L1	L2	L3	H1	H2	E
IMPEDANCE PROTECTED MOTORS												
31036	RM/7	CCW	7	0.19	230	26°	51	67	87	89	137	140
31037	RM/7	CW										
31038	RM/10	CCW	10	0.33	250	26°	51	67	87	89	137	140
31039	RM/10	CW										
OVERLOAD PROTECTED MOTORS (KLIXON)												
31040	RM/11	CCW	11	0.39	250	26°	51	67	87	89	137	140
31041	RM/11	CW										
RADLON MOTOR WITH BRACKETS - TOTALLY ENCLOSED												
31032	RM/17	CCW	17									
RADLON MOTORS FOR USE ON L'UNITE HERMETIQUE CONDENSING UNITS												
31033			75									
31034			90									

RADLON FAN BLADES - Refer Page 305

BRINSMEAD FAN MOTORS

CAT. NO.	TYPE	VOLTS	AMPS	OUTPUT		RPM (Nom)	DIMENSIONS — INCHES				MOUNTING	BEAR.
				WATTS	HP		SHAFT DIAM.	SHAFT LENGTH	BODY DIAM.	BODY LENGTH		
* 31076	BP123/1A	240	0.40	16	0.021	1300	5/16	6-3/16		3-1/16	4 Points 3/16" BSW each end	Ball
* 31077	BP146-C	240	1.10	37.5	0.05	1300	5/16	1-1/4		3-27/32	4 3/16" BSW Screws at rear	Ball
* 31078	BP19-A	240	0.50	18.5	0.025	1300	5/16	3		4-1/2	4 Points 3/16" BSW at front	Ball
* 31079	BP40-A	240	0.40	10	0.013	1300	5/16	15/16		2-5/8	Foot Mounted 3-3/8" bolt centres	Ball
* 31080	BP112-C	240	0.60	25	0.033	1300	5/16	1-1/4		2-13/16	3 Points 1/4" BSW at rear	Ball
* 31081	BP113-A	240	0.30	7.5	0.01	1300	5/16	1-1/4		3-3/16	2 Points 1/4" BSW Bracket 5" centres	Ball
⊕ 31082	BP127-A	240	0.30	7.5	0.01	1300	5/16	1-1/4		2-1/2	Clamp	Ball
* 31083	BP136-C	240	0.60	22.5	0.03	1300	5/16	2-3/8		3-1/8	4-3/16" BSW Screws at front	Ball
⊕ 31084	BP137-A	240	0.20	5	0.006	1300	5/16	1-1/4		2-11/32	3 Points 3/16" BSW at rear	Ball
⊕ 31088	BP129-A Was MX330A	240	0.30	40	0.054	2 Speed	5/16	1-1/4		3-7/8	Clamp	Ball
△ 31089	E287-A	240	1.30	80	0.107	1360	9/16	2-1/8		5-1/4	3 Points 5/16" BSW on housing	Ball
△ 31090	E287-C	240	1.30	80	0.107	1360	9/16	2-1/8		5-1/4	3 Points 5/16" BSW on housing	Ball
⊕ 31095	E376-A	240	0.60	25	0.033	1300	5/16	1-7/8		4-1/8	"	Ball
⊕ 31096	E376-C	240	0.60	25	0.033	1300	5/16	1-7/8		4-1/8	"	Ball
⊕ 31092	E354-A	240	1.10	55	0.074	1300	5/16	1-5/16		3-9/16	4 Points 3/8" BSW at front	Ball
⊕ 31093	E354-C	240	1.10	55	0.074	1300	5/16	1-5/16		3-9/16	4 Points 3/8" BSW at front	Ball
310101	32FE003	240	1.50	67	0.09	1350	5/16	1-1/4		4-7/8	3 Points 5/16" BSW on housing	Ball
310102	32FE005	240	1.20	37.5	0.05	1380	5/16	1-1/4		4-7/8	3 Points 5/16" BSW on housing	Ball
* 310103	32FE012	240	0.62	25	0.033	1330	5/16	2-1/2		7-1/2*	4 Slotted holes to fit 1/4" BSW Screw	Ball
⊕ 310104	32FE057	240	0.65	40	0.054	1350	5/16	1-1/4		3-15/16	3 Points 5/16" BSW on housing	Ball
* 310105	32FE062	240	0.99	37.5	0.05	1380	5/16	1-1/4		4-7/8	"	Ball
* 310106	32FE088	240	1.30	37.5	0.05	1380	5/16	1-1/4		4-7/8	"	Ball
⊕ 310111	42FE017	240	0.99	37.5	0.05	920	1/2x2	6-7/32x2		5-9/16	Resilient	Sleeve
⊕ 310113	42FE1003	240	2.77	179	0.24	1260	1/2	2-1/2		6-1/8	4 Points 3/8" BSW on housing	Ball
⊕ 310114	42FE1016	240	0.67	20	0.027	1360	5/16	1-5/16		3-13/16	Clamp	Ball
⊕ 310117	42FE1036	240	0.98	48.5	0.065	1360	9/16	2-1/8		5-1/2	3 Points 3/8" BSW on housing	Ball
⊕ 310121	42FS001	415	0.68	186	0.25	1340	1/2	2-1/2		6-1/8	4 Points 3/8" BSW on housing	Ball
⊕ 310122	42FS008	415	0.25	60	0.08	1350	5/16	7/8		4-9/16	4 Points 3/16" BSW at front	Ball
⊕ 310123	42FS011	415	0.23	75	0.1	1360	9/16	1-11/16		5-7/16	3 Points 3/8" BSW on housing	Ball
⊕ 310126	42FLL2031	240										
⊕ 310127	42FLL2058	240	1.30	97	0.13	920	1/2x2	5-15/16x2		6-1/8	Resilient	Sleeve
⊕ 310132	42FLL3036	240	1.45	242	0.28	1340	1/2	2-1/2		6-1/8	4 Points 3/8" BSW on housing	Ball
⊕ 310133	42FLL3019	240	0.99	89.5	0.12	1420	1/2x2	6-7/16x2		5-1/8	Resilient	Sleeve
⊕ 310134	42FLL3023	240	1.45	242	0.28	1340	1/2x2	2-15/16x2		6-1/8	Resilient	Sleeve
⊕ 310135	42FLL3025	240	0.99	134	0.18	1340	1/2x2	5-13/16x2		5-5/8	Resilient	Sleeve
⊕ 310136	42FLL3033	240	0.65	60	0.08	1350	1/2x2	6-7/16x2		5-1/8	Resilient	Sleeve

IMPORTANT : All above motors rely on cooling from a fan blade fitted to the motor shaft.
DO NOT use these motors to drive other mechanisms.

- * Indicates Motors on basis of Minimum Purchase Quantity Only.
- △ These Motors are now BETTS — Refer centre of next page 310-e.
- ⊕ Indicates Motors now out of production.

MOTOR IDENTIFICATION

Type FE = Shaded Pole. Type FLL = Permanent Split Capacitor (PSC). Type FS = 3 Phase 415V.

Direction of Rotation — Suffixes by "A" Anti-clockwise or "C" Clockwise as viewed from shaft end

BRINSMEAD MOTOR REPLACEMENT CHARTS

FOR YOUR CONVENIENCE AND REFERENCE THE FOLLOWING PAGES LIST A WIDE RANGE OF BOTH CURRENT AND SUPERCEDED BRINSMEAD FAN MOTORS. THE CHARTS SHOW AVAILABILITY AND REPLACEMENT MODELS. MOTOR SERIES LISTED ARE : BP - M - 42FE - 42FLL

BP SERIES MOTOR REPLACEMENTS

MODEL NUMBER	AVAILABILITY/REPLACEMENT
BP 2	BG3
BP 6	BG3
BP16	Current
BP17	BG3
BP18	BG3
BP19	Current
BP20	NIL
BP21	BP19
BP22	NIL
BP23	BG2
BP26	BG2
BP27	NIL
BP28	BG2
BP30	BG3 Mounting by Customer
BP31	BG2
BP32	BG3 Mounting by Customer
BP33	Current
BP34	BG3
BP35	NIL
BP36	BG2
BP37	BG2
BP38	BG2
BP39	NIL
BP40	Current
BP41	BP19 Mounting by Customer
BP43	BG3
BP44	BG2 Mounting by Customer
BP45	BG2
BP46	BG3
BP47	BG2
BP48	BG2 Mounting by Customer
BP49	BG2 " " "
BP50	BG2
BP51	BG4
BP52	BP19
BP53	BG2 Mounting by Customer
BP54	NIL
BP55	NIL
BP56	BP19
BP57	NIL
BP58	BG2
BP59	BG2
BP60	NIL
BP61	NIL
BP62	BG2 Mounting by Customer
BP63	BP19
BP64	BP19
BP65	BG2
BP66	BG3
BP67	BG2
BP68	BG2
BP69	BG4
BP70	BG2
BP71	NIL

NOTE

Brinsmead Model E287A
Now Replaced by
BETTS Model F117-10A

CAT. NO. 31089

Brinsmead Model E287C
Now Replaced by
BETTS Model F117-10C

CAT. NO. 31090

MODEL NUMBER	AVAILABILITY/REPLACEMENT
BP72	NIL
BP73	BG3
BP74	NIL
BP75	NIL
BP76	BG2
BP77	BP19
BP78	BG4
BP79	BG2
BP80	BG2
BP81	NIL
BP82	NIL
BP83	BP19
BP84	NIL
BP85	BG2
BP86	BG2
BP87	BG2
BP88	BG2
BP89	BG2
BP90	BG3
BP91	BG3
BP92	BG3
BP93	BG2
BP94	BG2
BP95	BG2
BP96	BG2
BP97	NIL
BP98	BG2
BP99	BG2
BP100	NIL
BP101	BG3
BP102	NIL
BP103	NIL
BP104	NIL
BP105	BG2
BP106	BG2
BP107	BG2
BP108	NIL
BP109	BG1
BP110	NIL
BP112	Current
BP113	Current
BP114	BP27
BP115	NIL
BP116	Current
BP117	NIL
BP118	NIL
BP119	NIL
BP120	NIL
BP121	NIL
BP122	BG3
BP123	BP123/1A
BP123/1A	Current
BP124	Current
BP125	NIL

5

BRINSMEAD MOTOR REPLACEMENTS CONTINUED NEXT PAGE

ORDERING PROCEDURE: REFER TO PAGES 309-b and 310-c AND QUOTE CATALOGUE NO. OF ITEM REQUIRED

BRINSMEAD MOTOR REPLACEMENT CHARTS

M SERIES MOTOR REPLACEMENTS

Obsolete Model	REPLACEMENT
M 1	BG2
M 2	BG2
M 3	BG2
M 4	BG2
M 5	NIL
M 6	BG2
M 7	BG2
M 8	BG2
M 9	BG2
M 10	BG2
M 11	BG2 plus mounting by customer
M 12	BG2 plus shaft extension by cust.
M 13	NIL
M 14	E287
M 15	BG2
M 16	BG2 plus mounting by customer.
M 17	BG2 plus mounting by customer.
M 18	BG2 plus mounting by customer.
M 19	NIL
M 20	NIL
M 21	BG2
M 22	E287
M 23	BP40
M 24	BG2
M 25	BG3 plus mounting by customer.
M 26	BG2 plus mounting by customer.
M 27	BG3
M 28	BG3 plus mounting by customer.
M 29	BG2 plus mounting by customer.
M 30	BG2
M 31	BG2 plus mounting by customer.
M 32	NIL
M 33	BG2 plus mount. bracket by cust.
M 34	NIL
M 35	NIL
M 36	BG3 plus mounting by customer.
M 37	NIL
M 38	BG2 plus mounting by customer.
M 39	BG3 plus mounting by customer.
M 40	BG2
M 41	BG2
M 42	NIL
M 43	BG2 plus mounting by customer.
M 44	BG3
M 45	NIL
M 46	BG2 plus mounting by customer.
M 47	BG3
M 48	BG2 plus mounting by customer.
M 49	NIL
M 50	NIL

Obsolete Model	REPLACEMENT
M 51	BG5C 3 Speed.
M 52	BG2 plus 285 to 240V transformer by customer.
M 53	NIL
M 54	NIL
M 55	BG2 plus mounting by customer.
M 56	BG2
M 57	BP40
M 58	BG3 plus shaft extension by cust.
M 59	BG2 plus mounting by customer.
M 60	BG2 plus mounting by customer.
M 61	BP19 plus mounting by customer.
M 62	NIL
M 63	BP19 plus mounting by customer.
M 64	BG4
M 65	BG4
M 66	NIL
M 67	NIL
M 68	NIL
M 69	BP40
M 70	BP132C plus mount. by cust.
M 71	BP132C plus mount. by cust.
M 72	BG2
M 73	NIL
M 74	BG4
M 75	NIL
M 76	BG2 plus mounting by customer.
M 77	BG2 plus mounting by customer.
M 78	BP40
M 79	BG2
M 80	BG2
M 81	BG2
M 82	NIL
M 83	BG2
M 84	BG3 plus mounting by customer.
M 85	BG2 plus mounting by customer.
M 86	BG3
M 87	BG2
M 88	NIL
M 89	NIL
M 90	NIL
M 91	NIL
M 92	NIL
M 93	BP113
M 94	BG2 plus mounting by customer.
M 95	NIL
M 96	BG2 plus mounting by customer.
M 97	BG4
M 98	NIL
M 99	BG3
M100	BP132C plus mounting by cust.

Obsolete Model	REPLACEMENT
M101	BG2 plus mounting by customer.
M102	BG3 plus mounting by customer.
M103	BG1 or 2 plus mount. by customer.
M104	BG2
M105	NIL
M106	NIL
M107	BG2 plus shaft extension by cust.
M108	NIL
M109	BG2
M110	BG2
M111	BG2 plus mounting by customer.
M112	BG2 plus mounting by customer.
M113	BG2
M114	BG2 plus mounting by customer.
M115	NIL
M116	BG3 plus mounting by customer.
M117	BG3
M118	BG2 plus mounting by customer.
M119	NIL
M120	NIL
M121	NIL
M122	NIL
M123	E387
M124	BG2 plus mounting by customer.
M125	BG2
M126	BG2
M127	BG3 plus mounting by customer.
M128	NIL
M129	BG2 plus mounting by customer.
M130	BP113
M131	NIL
M132	NIL
M133	BG3 plus mounting by customer.
M134	E287 plus 5/16" dia. shaft & mount. by customer.
M135	NIL
M136	32FE012
M137	NIL
M138	NIL
M139	BG2 plus mounting by customer.
M140	BG2 plus mounting by customer.
M141	BG2
M142	BG2
M143	NIL
M144	NIL
M145	BG3 plus mounting by customer.
M146	BG2 plus mounting by customer.
M147	BG2
M148	BP16 pump assembly.
M149	NIL
M150	NIL

BRINSMEAD MOTOR REPLACEMENTS CONTINUED NEXT PAGE

ORDERING PROCEDURE: REFER TO PAGES 309-b and 310-c AND QUOTE CATALOGUE NO. OF ITEM REQUIRED

BRINSMEAD MOTOR REPLACEMENT CHARTS

M SERIES MOTOR REPLACEMENTS — Cont'd.

Obsolete Model	REPLACEMENT
M151	BG5C 3 Speed.
M152	E287
M153	BG3 plus shaft ext. & mount. by customer.
M154	NIL
M155	NIL
M156	NIL
M157	BG4
M158	E287 plus mount. & connect. to (415V) 240V supply by customer.
M159	E287 plus mount. & connect. to (415V) 240V supply by customer.
M160	E287 plus mounting by customer.
M161	E287
M162	BG5C
M163	NIL
M164	BG2 plus mounting by customer.
M165	NIL
M166	NIL
M167	NIL
M168	BG2 plus mounting by customer.
M169	NIL
M170	NIL (415V)
M171	BG3 plus shaft extension by cust.
M172	BG4
M173	E287 plus mounting by customer.
M174	NIL
M175	E387 plus connect. to 240V supply (415V) by customer.
M176	BG2 plus mounting by customer.
M177	BG2
M178	BG3 plus 120V to 240V transformer by customer.
M179	NIL
M180	NIL
M181	NIL
M182	BG2 plus mounting by customer.
M183	BG2 plus mounting by customer.
M184	BG2 plus mounting by customer.
M185	BG2 plus mounting by customer.
M186	BG3 plus mounting by customer.
M187	BP40 plus mounting by customer.
M188	BG2
M189	NIL
M190	NIL
M191	BG2 plus mounting by customer.
M192	E287
M193	BG2 plus mounting by customer.
M194	NIL
M195	NIL
M196	NIL
M197	NIL
M198	BG2 plus mounting by customer.
M199	BG2
M200	BG2 plus mounting by customer.

Obsolete Model	REPLACEMENT
M201	BG3 plus mounting by customer.
M202	BG2 plus mounting by customer.
M203	BG2 plus mounting by customer.
M204	BG2 plus mounting by customer.
M205	BG3 plus mounting by customer.
M206	NIL
M207	BP16 pump assembly plus 190V to 240V transformer by customer.
M208	NIL (415V)
M209	BG3 plus mounting by customer.
M210	BG2 plus 1/4" diam. shaft by cust.
M211	BG2 plus mounting by customer.
M212	BP16 pump assembly.
M213	BP19
M214	NIL
M215	BG2 plus mounting by customer.
M216	BG2 plus mounting by customer.
M217	NIL
M218	NIL
M219	BG5C 3 Speed.
M220	E287 plus mount. by customer.
M221	BP19
M222	NIL
M223	BG2 plus mounting by customer.
M224	BP123/1A plus mount. by cust.
M225	NIL
M226	NIL
M227	NIL
M228	BG2 plus mounting by customer.
M229	E287 plus mounting by customer.
M230	NIL
M231	NIL
M232	BG2 plus mounting by customer.
M233	BP40
M234	NIL (415V)
M235	BP123/1A plus mount. by customer
M236	NIL
M237	NIL
M238	NIL
M239	BG2 plus mounting by customer.
M240	BG2 plus shaft extension & mount. by customer.
M241	BG2 plus shaft ext. by customer.
M242	BP19 plus mounting by customer.
M243	BG2 plus mounting by customer.
M244	BG2 plus shaft extension & mount. by customer.
M245C	BG5C Three speed motor.
M246	BG3 plus mounting by customer.
M247	NIL
M248	NIL
M249	BG2 plus mounting by customer.
M250	E287 plus mounting by customer.

Obsolete Model	REPLACEMENT
M251	BG2
M252	NIL
M253	E287 plus mount. & connect. to (415V) 240V by customer.
M254	NIL
M255	NIL transformer by customer.
M256	BG2 plus mounting by customer.
M257	BG2 plus mounting by customer.
M258	BG2 plus mounting by customer.
M259	BG2 plus mounting by customer.
M260	BG2
M261	NIL
M262	E287 plus mounting by customer.
M263	NIL
M264	BP19 plus mounting by customer.
M265	E287
M266	BP19 plus mounting by customer.
M267	BG2 mount. & shaft ext. by cust.
M268	BG2 plus mount. & shaft extension by customer.
M269	E287 plus mount. & shaft ext. by customer.
M270	NIL
M271	E387 plus mounting by customer.
M272	BG2 plus mounting by customer.
M273	NIL
M274	NIL
M275	BG5C Three speed.
M276	BG2 plus shaft extension & cooling fan by customer.
M277	NIL
M278	E287
M279	NIL
M280	BG2
M281	NIL
M282	NIL
M283	NIL
M284	BG2
M285	BG2 plus mounting & shaft ext. by customer.
M287	BG2 plus mounting & 110V to (110V) 270V transformer by customer. (60Hz)
M287	E287
M288	BG3
M289	E287 plus mounting by customer.
M290	BG5C
M292	BG2 plus mount. & 32V to 340V transformer by customer.
M293	NIL
M294	BG2
M295	E287 plus mount. & shaft ext. & (415V) connect. 240V supply by cust.
M296	NIL
M297	NIL
M298	E387 plus mounting by customer.
M299	NIL
M300	BG3 plus 115V to 290V transform. (115V) by customer. (60Hz)
M301	BG2 plus 115V to 290V transform. (115V) by customer. (60Hz)
M302	BG2
M303	BG2 plus 110V to 240V transform. (110V) by customer. (50Hz)

5

BRINSMEAD MOTOR REPLACEMENTS CONTINUED NEXT PAGE

ORDERING PROCEDURE: REFER TO PAGES 309-b and 310-c AND QUOTE CATALOGUE NO. OF ITEM REQUIRED

BRINSMEAD MOTOR REPLACEMENT CHARTS

42FE & 42FLL SERIES REPLACEMENTS

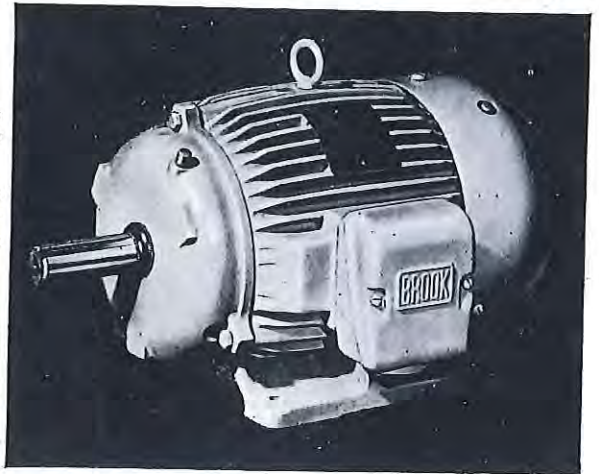
OBSOLETE MODEL	REPLACEMENT
42FE 009	NIL
42FE 011	NIL
42FE 015	NIL
42FE 016	NIL
42FE 017	NIL
42FE 018	NIL
42FE 019	NIL
42FE 021	NIL
42FE 022	NIL
42FE 023	NIL
42FE 024	NIL
42FE 026	NIL
42FE 027	NIL
42FE 028	NIL
42FE 029	NIL
42FE 030	NIL
42FE 031	NIL
42FE 032	NIL
42FE 035	NIL
42FE 036	NIL
42FE 039	NIL
42FE 040	NIL
42FE 042	NIL
42FE 043	NIL
42FE 044	NIL
42FE 053	NIL
42FE 1000	NIL
42FE 1002	NIL
42FE 1003	NIL
42FE 1004	NIL
42FE 1005	NIL
42FE 1012	Current
42FE 1013	NIL
42FE 1014	NIL
42FE 1015	NIL
42FE 1016	Current
42FE 1017	NIL
42FE 1018	NIL
42FE 1019	NIL
42FE 1020	42FE 1012
42FE 1021	NIL
42FE 1025	NIL
42FE 1027	NIL
42FE 1028	NIL
42FE 1030	NIL
42FE 1031	NIL
42FE 1034	NIL
42FE 1035	42FE 1012 Customer to Modify mounting & change boss.
42FE 1036	NIL
42FE 1037	NIL
42FE 1038	NIL
42FE 1039	NIL
42FE 1046	NIL
42FE 1050	NIL
42FE 1051	NIL
42FLL2005	NIL
42FLL2007	NIL
42FLL2008	Current

OBSOLETE MODEL	REPLACEMENT
42FLL2009	NIL
42FLL2010	42FLL2008
42FLL2012	NIL
42FLL2013	NIL
42FLL2014	42FLL2008 + 2 MFD 440V Capacitor.
42FLL2015	NIL
42FLL2016	42FLL2008
42FLL2018	NIL
42FLL2021	NIL
42FLL2024	NIL
42FLL2025	NIL
42FLL2028	42FLL2008 + 2 MFD 440V Capacitor Customer to Remove extra shaft.
42FLL2029	42FLL2008 + 2 MFD 440V Capacitor.
42FLL2030	NIL
42FLL2031	NIL
42FLL2032	42FLL2008 Customer to Remove extra shaft and modify mounting.
42FLL2033	42FLL2008 + 2 MFD 440V Capacitor.
42FLL2037	NIL
42FLL2041	NIL
42FLL2042	NIL
42FLL2046	42FLL2008 + 2 MFD 440V Capacitor.
42FLL2048	NIL
42FLL2049	NIL
42FLL2050	NIL
42FLL3003	NIL
42FLL3004	NIL
42FLL3009	NIL
42FLL3010	42FLL3062
42FLL3011	NIL
42FLL3013	NIL
42FLL3014	NIL
42FLL3015	NIL
42FLL3016	NIL
42FLL3017	NIL
42FLL3018	NIL
42FLL3019	NIL
42FLL3021	NIL
42FLL3023	NIL
42FLL3024	NIL
42FLL3025	NIL
42FLL3026	NIL
42FLL3030	NIL
42FLL3031	NIL
42FLL3032	NIL
42FLL3033	NIL
42FLL3034	NIL
42FLL3036	NIL
42FLL3039	NIL
42FLL3040	NIL
42FLL3043	NIL
42FLL3047	NIL
42FLL3048	NIL
42FLL3049	42FLL3062
42FLL3058	NIL
42FLL3062	Current
42FLL3063	42FLL3062
42FLL3065	NIL
42FLL3066	NIL
42FLL3067	NIL

ORDERING PROCEDURE : REFER TO PAGE 310-c & QUOTE CATALOGUE NO. OF ITEM REQUIRED

ELECTRIC MOTORS

Totally Enclosed Fan Cooled — Cage Standardised Metric Range



STANDARDS : Except where indicated, all motors comply with BS 2613:1970 and have a maximum temperature rise (measured by the resistance method) of 80 Deg. C for Class 'B' insulation.

The motors comply with BS 3979 Appendix A which standardises shaft sizes and fixing dimensions. The details are also in conformity with IEC recommendation 72-1 and 72-2 (except for fixing hole diameters in some sizes).

CONSTRUCTION

Stator Frame and Endshields : These are of cast iron or aluminium, and in the case of foot mounted motors, the frame and feet are cast in one piece.

Cores : Both stator and rotor cores consist of high quality magnetic steel stampings.

TEFC MOTORS : TEFC motors are specially suitable for installations in dusty and dirty situations where the use of ventilated motors is impracticable because of the presence of dirt, fluff, metal swarf, cutting compound, etc.

The windings and all working parts of TEFC motors are completely enclosed, and a current of cooling air is forced over the carcass by a fan which is mounted on the motor shaft at the non-driving end and protected by a cover.

STARTING : Motors up to 2.2kW (3 HP) have three terminals for direct-on-line starting. Larger sizes have six terminals suitable for direct-on-line or star-delta starting.

REVERSING : Standard motors may be run clockwise (standard) or anti-clockwise, and are suitable for infrequent reversing. To reverse a three-phase motor, interchange any two of three mains supply lines at motor or starter terminals.

STARTING CHARACTERISTICS

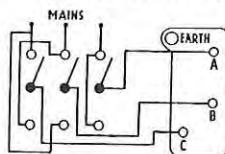
Direct-on-line starting— Starting torque 175/250% full load torque (according to speed).
 — Starting current 500/750% full load current (according to speed).

Star-delta starting — Starting torque 50/90% full load torque (according to speed).
 — Starting current 175/250% full load current (according to speed).

Special starting characteristics available on request.

MOTOR TYPE	CAT. NO.	kW	HP	SPEED RPM	FRAME	SHAFT SIZE mm
METRIC TOTALLY ENCLOSED THREE PHASE 415 Volt. 50 Hz. Voltage Variation: Will operate satisfactorily plus or minus 6% from the rated voltage.		0.18	1/4	1380	D71	14
		0.25	1/3	1350	D71a	14
		0.37	1/2	1360	D71b	14
	31151	0.55	3/4	1400	D80a	19
	31152	0.75	1.0	1400	D80b	19
	31153	1.10	1.5	1420	D90S	24
	31154	1.50	2.0	1420	D90L	24
	31155	2.20	3.0	1420	D100La	28
	31156	3.00	4.0	1420	D100Lb	28
	31157	4.00	5.5	1440	D112M	28
		5.50	7.5	1445	D132S	38
		7.50	10.0	1445	D132M	38

REVERSING THREE PHASE MOTORS



To reverse a three phase machine it is only necessary to reverse two of the incoming lines.

FOR TECO & MECHTRIC MOTORS

NOTE

**&
TECO BENCH GRINDERS
TURN TO PAGE 327**

5



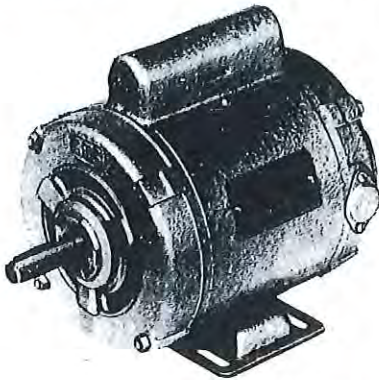
ELECTRIC MOTORS

ALL MOTORS 1500 RPM — BALL BEARING — FOOT MOUNTED

Cadet

Drip Proof SINGLE PHASE CAPACITOR START 230/250V. 50 Hz.

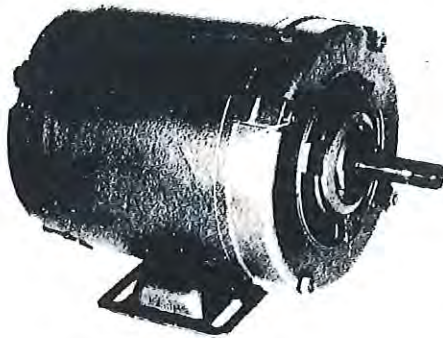
PERFORMANCE : To B.S.170:1962 and A.S.C74 - 1965. Class 'E' Insulation.
DIMENSIONS : To B.S.2048 Part 1 : 1961 & A.S. C350 Part 1 : 1963.



CAT. NO.	kW	HP	TYPE	SHAFT DIAM.	FRAME	CAPACITOR	
						MFD	VOLTS
3126	0.12	1/6	ESB5C6/4S	5/8"	B56	135	150
3127	0.18	1/4	ESB5C4/4S			135	150
3128	0.25	1/3	ESB5C3/4S			130-150	150
3129	0.37	1/2	ESB5C2/4S			175-200	150
31210	0.55	3/4	ESB5C0/4S			200-250	150
31211	0.75	1	ESB5C1/4S	3/4"	B66	80	275
31212	1.1	1.1/2	ESB5C15/4RS			ST. 80	275
			CAP.ST.& RUN			RUN 10	440

THREE PHASE 400/440 VOLT 50HZ. DRIP PROOF

PERFORMANCE : Frame B56 to A.S. C74 - 1965. Class 'E' Insulation. Frames C162, C164, C182 to B.S. 2613: 1957 and A.S. C319 : 1958. Class 'E' Insulation.
DIMENSIONS : Frame B56 to B.S. 2048 Part 1. 1961 & A.S. C350 Part 1. 1963. Frames C162, C164, C182 to B.S. 2960 Parts 1 & 2 and A.S. C332 Parts 1 and 2.

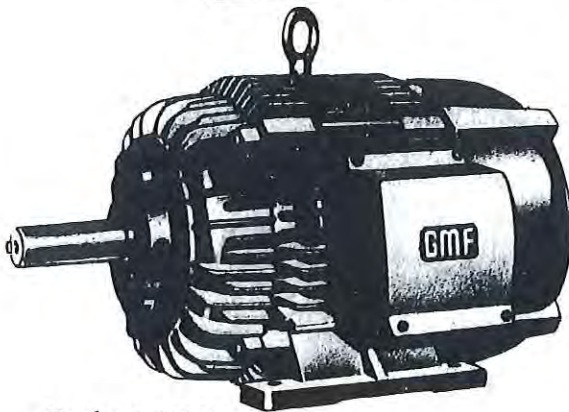


CAT. NO.	kW	HP	TYPE	SHAFT DIAM.	FRAME
31213	0.18	1/4	ETB5C4/4	5/8"	B56
31214	0.25	1/3	ETB5C3/4		
31215	0.37	1/2	ETB5C2/4		
31216	0.55	3/4	ETB5C0/4		
31217	0.75	1	CTB5C1/4	3/4"	C162
31218	1.1	1.1/2	CTB5C15/4		C164
31219	1.5	2	CTB5C20/4	1.1/8"	C182



INTEGRAL HP METRIC MOTORS

THREE PHASE TEFC 400/440 V. A.C. 50 Hz.



CAT. NO.	kW	HP	SHAFT SIZE mm	FRAME
	.75	1	19	D80
	1.5	2	24	D90L
	2.2	3	28	MD100L
	4	5.5	28	D112M

Performance:

To A.S.1359: 1974, B.S.2613: 1957, maximum continuous rating (M.C.R.) with permissible temperature rise not exceeding 75°C (resistance method) in ambient temperature not exceeding 40°C.

Models:

TEFC only. Designed to provide (1) maximum protection against dust and abrasive matter under dirty running conditions and (2) maximum heat dissipation through well designed air circulation for ventilation and cooling.

Frame Dimensions:

To A.S. 1017: 1971 and B.S. 3979 for metric motors. See outline dimension drawings.

Frame:

Cast iron. Designed with deep ribs for maximum heat exchange. Equipped with lifting eye.

Bearings:

Heavy duty semi-sealed ball bearings.

Lubrication:

Bearings factory packed with lithium grease. On frame sizes D132S-D200L and over, grease nipples and drain plugs are also provided.

Terminal Box:

Generously proportioned to permit easy connection. Four position type rotatable through 360° to simplify installation.

RELAYS AND OVERLOADS

COLDSTREAM - COMMERCIAL FRIGIDAIRE - DOMESTIC

KELVINATOR, LEONARD, H.M.V. - DOMESTIC

CATALOGUE NUMBER SUMMARY PAGE - FOR ORDERING PURPOSES

COLDSTREAM — COMMERCIAL

RELAY		
CAT. NO.	PART No.	FOR MODEL
3131	410K1	400A201, 400B205
3132	410K2	400A301
3133	410K3	400B302 Use 410K4
3134	410K4	400B402
3135	410K5	400C401
3136	410K7	Use 410K9
3137	410K9	
3139	144G2	323C7,323R5,323J1 Use 410K1
31311	410K6/144G5	323J4. Use 410K1
31313	144D10	323E5
31310	Relay Cover only.	

OVERLOAD		
CAT No.	PART No.	FOR MODEL
31315	320D1	400A201-203, 400B201-205
		400F203-204-302-304-406 400M304-405
31316	320D2	400A301 400B302-402
31317	320D3	400C401
31318	320A6	323C7
31319	320A10	323S1
31320	320A7	323R5
31321	320A5	323J1
31322	320A9	323J2

FRIGIDAIRE RELAYS — DOMESTIC

CAT No.	FRIGIDAIRE PART No.	TYPE	HP
31330	1128822	YG2	1/14, 1/12, 1/10
31331	5495684A	YG2	1/8
31332	5495575	YG2	1/6
	5486940		
31333	5489054	YG3	7/32
31334	5850745		
31335	5494823	YG4	4/10
	5485703		
	5851032		
31336	7391678	Hot Wire	1/8

KELVINATOR, LEONARD, HMV RELAYS — DOMESTIC

CAT No.	KELV. BIN No.	TYPE
31341	L54	Kirby MC13-A3,AG3
31342	L268	Klixon Y3005-04
31343	L245	Klixon Y3005-218-25
	PF920	Klixon Y3005-17
	PG683	Klixon Y3005-22
	L316	Klixon ME556-6
	L332	Klixon ME617-6
31344	PD263	Klixon Y3005-128-37
31345	PD213	Klixon Y3005-135-37
31354	PF273	Klixon Y3005-06
	PG130	Klixon Y3005-18
	PG684	Klixon Y3005-23
31355	PF548	Klixon Y3CR-1
	PG46	Klixon Y3005-16
	PG682	Klixon Y3005-21
	PL181	GE 3ARR12-PP192
	PL194	Klixon 3CR-203-133
	PL479	Klixon 3CR-203-143
	PG785	Klixon Y3005-25
	L325	Klixon ME535-2
	L327	Klixon ME556-2
	L333	Klixon ME617-2
	CZ47	Necchi M2040J Comp.
	LK199	Necchi M2040J Comp.
	GN30	Necchi M2040J Comp.

CAT No.	KELV BIN No.	TYPE
	GN52	Necchi M2040J/048
	L213	Ranco SH60-6075 CH60-6154
	L285	Necchi M2030J Comp
	GN29	Necchi M2030J Comp
	LK200	Klixon ME556-3
	L268	Klixon Y3005-04
	L293	Klixon Y3305-09
	CZ502	Necchi M2050J,M2060J
	GN31	Necchi " "
	GN51	Necchi M2050J/058
	L57	Ranco SH60-6016
	L300	Klixon Y3005-12
	L71	Kirby MC16T1-MC16AH1
	CZ622	Necchi A2270
	GN40	Necchi A2270
	CZ639	Necchi A2280
	GN41	Necchi A2280
	CZ664	Necchi A2290
	GN42	Necchi A2290
	CZ78	HMS125-2305
	CZ839	S125-2305A
	L319	Klixon ME556-1
	L331	Klixon ME617-1
	L339	Klixon ME556-5

CAT No.	KELV BIN No.	TYPE
	CZ223	Necchi M2080
	GN33	Necchi M2070,M2080 M2080J Type 083
	GN53	Necchi M2080J/088
	CZ797	Klixon ME535-1
	CZ798	Klixon ME535-5
	L323	Klixon ME535-6
	CF33	Klixon
	CF30	Danfoss
	L283	Klixon Y3005-11
	GN87	Klixon MTRP0001-01
	GN88	Klixon 040-091
	GN89	Klixon 040-092
	GN90	Klixon 040-104
	GN91	Klixon 040-113
	GN92	Klixon 040-120
	GN93	Klixon 040-133
	GN94	Klixon 040-135
31467	GN95	Klixon 040-122
31468	GN96	Klixon 041-114
31469	GN97	Klixon 040-127
	GN98	Klixon 041-118
31470	GN99	Klixon 040-143
31471	GN100	Klixon 041-135

5

REFER TO FOLLOWING TECH. PAGES FOR DETAILED SPECIFICATIONS AND SELECTION DATA

RELAYS, OVERLOADS AND CAPACITORS

COLDSTREAM - COMMERCIAL

Model No.	Compressor	Type	Stator Stack Laminations	Stator Stack & Coils	Stack Lgth. Ins.	Nom. H.P.	Nameplate		Overload P/N	Relay P/N	Capacitor 240V.	Superseded Models & Parts				
							Amps.	Volts-Cy				Model	Overload	Relay		
400A201	CY - KY	Split Phase	402A9	401A201	2.1/2"	1/3	3.1	240/50	320D1	410K1	-	323C7 323P7 323P8	320A6	144G2		
400A203	CY - KY	Split Phase	402A8	401A203	2.1/4"	1/3	2.6	240/50	320D1	-	-	323C5		144D7		
400B201	CY - KY	Cap. Start	402A8	401B201	2.1/4"	1/3	2.6	240/50	320D1	-	80MFD	323C1		144D7		
400B205	CY-KY-HY	Cap. Start	402A9	401B205	2.1/2"	1/2	4.45	240/50	320D1	410K1	80MFD	400B203				
400A301	BY	Split Phase	402A8	401A301	3.1/2"	1/2	5.6	240/50	320D2	410K2	-	323S1	320A10	144D13		
400B302	BY	Cap. Start	402A6	401B302	3.1/2"	1/2	4.4	240/50	320D2	410K3	100MFD	323R5 323E5	320A7	144G2 144D10		
400B402	NY	Cap. Start	402A7	401B402	4.1/2"	3/4	6.5	240/50	320D2	410K4	100MFD	323J1	320A5	144G2		
400C401	NX	Cap. Start Cap. Run	402A7	401C401	4.1/2"	1.1/2"	10.0	240/50	320D3	410G5	100MFD 10MFD	323J2 323J4	320A9	144G3 144G5		
400F203	KY	THREE PHASE	402A9	401F203	2.1/2"	1/2	1.1	415/50	2/320D1			400F201				
400F204	CY - KY		402A8	401F204	2.1/4"	.35	0.7							400F202		
400F302	NX		402A6	401F302	3.1/2"		3.6							400F301		
400F304	BY - NY		402A6	401F304	3.1/2"		2.4							323H1 400F303		
400F406	NX - NZ		402A7	401F406	4.1/2"		4.5							400F402		
400M304	NU		402B1	401M304	3.1/2"	2.9	5.2							400M301 400M302		
400M405	NU - NE		402B2	401M405	4.1/8"	3.3/4"	6.1							400M401 400M402		

FRIGIDAIRE - DOMESTIC

TYPE "YG" RELAYS WITH INBUILT OVERLOAD FITTED TO METER MISER COMPRESSORS.			RELAYS AND OVERLOADS FITTED TO MODELS WITH KIRBY COMPRESSORS.					
FRIGIDAIRE P/N	RELAY		RELAY		OVERLOAD		COMP. H.P.	SUIT MODELS
	TYPE	H.P.	KIRBY P/N	FRIGIDAIRE P/N	KIRBY P/N	FRIGIDAIRE P/N		
1128822	YG-2	1/14, 1/12, 1/10	ME535/3	7443111	ME380/8	7443110	1/8	S95, S96
5495684			ME535/1	7395507	ME380/10	7395505	1/6	DX105, S105, SX105, SX106, DX106
7391678	Hot Wire	1/8	ME535/5	7395510	ME380/11	7395506	1/5	CDC12-64, DC12-64, CP14T-64, DX125 UF105, CDC125, DC125, CDC145, DC145, CDC146, CDC126, DX126
5486940	YG-2	1/6	ME658/2	7443866	ME380/11	7395506	1/4	FPCD146
5495575			YG-3	7/32				
5489054	YG-4	4/10						
5850745								
5494823								

KELVINATOR, LEONARD, H.M.V. - DOMESTIC

RELAY			SUIT MODELS
BIN NO.	PART NO.	TYPE	
L54	KA5401	Kirby MC13 - A3 MC13 - AG3	M5W, AS5, ASB5, ASC5, SAS5, AS6, AS7, ASB7, ASD7, NHC KD Air Dryer, K96 Bev. Cooler.
L268	KA35621	Klixon Y3005 - 04	208, 209, 211, 212, 213, 214, 215, 216, 217, 218, 219, 221, 224, 225, 226, 227, 229, 230, 232, 234, 241, 245, 250, 252, 267, 269, 271, 272, 275, 276, 318, 348, 368, 377, 378, 379, 419, 429, 439, 447, 449, 453, 462, 463, 465, 467, 469, 476, 477, 485, 539, 557, 558, P100WA 1/8 HP Compact Compressor, Clamp L251.
L245	KA30138	Klixon Y3005 - 218 - 25	387, 388, 463, 466, 476/66, 482, 489, 493, 518, 560, 568, 570, 577, 578, 579, 580, 682, 689, 693, 769, C124WA, VF105, VF231, VF236, VF237, VF338, VF436, VF537, VF538, FF6, FF13, FF15, FF85, FF100, FF100/1, FF160, FF160/1, AHF102, AHF162, H270GC, H430GC, H340GD, H500GD, S44 Compressor, Clamp L251. Can use PF920.
PF920	KA40774	Klixon Y3005 - 17	F100LA, F118LA, F118LB, C124SA, C124VA, C124WA, C144HA, C144NA, C144WA, C144SB, C125RB, C125WB, C180GA, C180WA, VF338, VF538, S54 Bracket Mtd. Comp. with Earth.
PG683	KA47150	Klixon Y3005 - 22	F100LA, F118LA, F118LB, C124SA, C124VA, C124WA, C144HA, C144NA, C144WA, C144SB, C125RB, C125WB, C180GA, C180WA, VF338, VF538, 310FL3, F310LC, 340CR3, C340RC, C340TC, C340SE, C340YC, C340ZC, 380CH3, C380HC, C380NC, C380SC, C380TC, C380SE, 480CG3, C480GC, C480NC, C480SC, C480SE, Less Earth.

Continued Next Page

ORDER PROCEDURE : REFER TO PAGE 313 AND QUOTE CATALOGUE NO. OF ITEM REQUIRED