

THE CABERO CONDENSER RANGE



CONTENTS

- 3 Engineered to Succeed
- 4 ACH Range
- 5 ACH Technical Data
- 6 ACH Physical Data
- 8 ACH Capacity Ratings
- 10 ACW Range
- 11 ACW Technical Data
- 14 ACW Capacity Ratings

ENGINEERED TO SUCCEED

CASING

The casing is made of zinc plated sheets, painted in a high temperature process. All components are painted before assembly to guarantee all edges are covered and the finish of the units is of the highest quality.

Advantages:

- Corrosion resistant
- Precise and optimal finishing

REINFORCED PROFILE

With finned coil block lengths over 4200 mm in a self supporting casing, the structure ensures less flexion and torsion during the different stages of transport, lifting and installation.

This profile of condensers is lighter, more rigid with fewer feet and therefore fewer foundations are required.

Advantages:

- Better distribution of weight especially for the side panels
- The coil remains straight even after long operation

TUBES AND FINS

The use of high quality material and thicker tube walls will result in greater reliability during constant expansion and contraction of the pipework.

Fins are made of aluminium with blue fin coating as standard, ensuring high resistance to aggressive environmental influences.

Cabero condensers also feature an innovative straight, smooth fin design which is easier to clean and less likely to block with dirt.

Advantages:

- Long term efficiency
- Less contamination
- Easy cleaning
- Reduced fouling

Safety Tube Expansion System (STES)

Unique to Cabero, STES is a floating tube system which means the tube has no contact with the end plates, significantly reducing the possibility of leaks during transport and operation compared with other units on the market.

Advantages:

- Long lasting heat exchanger
- Transport friendly

ACH RANGE

12kW to 82kW

ACH is a compact table top style air cooled condenser series from Cabero. The ACH can easily be mounted in a vertical or horizontal configuration by relocating the mounting feet as required, allowing the flexibility of mounting the condenser on a roof top, in a loading dock or on the side of a building. Models range from 12kW to 82kW total heat of rejection at 10KTD. They are suitable for all common HFC refrigerants and retrofit HFO blends.



Standard features:

- Powder coated zinc plated steel construction offers corrosion resistance
- The aluminium fins are protected with Blue-Fin coating
- The fins are straight to reduce fouling and improve long term efficiency
- Ziehl Abegg 500mm fans

Nomenclature:

- **A** = axial
- **C** = condenser
- **H** = horizontal heat exchanger position
- **05** = 500mm diameter fan
- **3** = 2 tube rows / **5** = 3 tube rows / **7** = 4 tube rows
- **A** = fin spacing in this case 2.0 mm
- **1** = one fan (if "2 x 2" 2 rows and 2 in each row)
- **0.8** = finned area length (m)
- **18** = 18 tubes height
- **N** = 4 pole fan – standard fan
- **Z** = Ziehl Abegg
- **D** = connected in delta

ACH TECHNICAL DATA

Product Code	Model	Air Flow (High speed) m3/h	Air Flow (Low speed) m3/h	No. & Dia. of Fans	Fan Motors					
					Total Watts	Volts/Phase	RPM (High Speed)	RPM (Low Speed)	Total Amps (High speed)	Total Amps (Low speed)
AC Fan Models										
3512036	ACH053A1-0.8-18NZ-D	7980	6400	1 x 500	800	400/3	1290	1020	1.6	0.8
3512037	ACH055A1-0.8-18NZ-D	7590	6060	1 x 500	800	400/3	1290	1020	1.6	0.8
3512038	ACH057A1-0.8-18NZ-D	7260	5760	1 x 500	800	400/3	1290	1020	1.6	0.8
3512039	ACH053A2-1.6-18NZ-D	15910	12810	2 x 500	1600	400/3	1290	1020	3.2	1.6
3512040	ACH055A2-1.6-18NZ-D	15180	12120	2 x 500	1600	400/3	1290	1020	3.2	1.6
3512041	ACH057A2-1.6-18NZ-D	14520	11530	2 x 500	1600	400/3	1290	1020	3.2	1.6
3512042	ACH053A3-2.4-18NZ-D	23870	19210	3 x 500	2400	400/3	1290	1020	4.8	2.4
3512043	ACH055A3-2.4-18NZ-D	22770	18170	3 x 500	2400	400/3	1290	1020	4.8	2.4
3512044	ACH057A3-2.4-18NZ-D	21780	17290	3 x 500	2400	400/3	1290	1020	4.8	2.4
3512045	ACH053A4-3.2-18NZ-D	31820	25620	4 x 500	3200	400/3	1290	1020	6.4	3.2
3512046	ACH055A4-3.2-18NZ-D	30360	24230	4 x 500	3200	400/3	1290	1020	6.4	3.2
3512059	ACH057A4-3.2-18NZ-D	29030	23060	4 x 500	3200	400/3	1290	1020	6.4	3.2

EC Fan Models										
3512060	ACH053A1-0.8-18NZ-D-EC	8540	NA	1 x 500	900	400/3	1550	NA	1.7	NA
3512061	ACH055A1-0.8-18NZ-D-EC	8200	NA	1 x 500	900	400/3	1550	NA	1.7	NA
3512062	ACH057A1-0.8-18NZ-D-EC	7900	NA	1 x 500	900	400/3	1550	NA	1.7	NA
3512063	ACH053A2-1.6-18NZ-D-EC	17070	NA	2 x 500	1800	400/3	1550	NA	3.4	NA
3512064	ACH055A2-1.6-18NZ-D-EC	16410	NA	2 x 500	1800	400/3	1550	NA	3.4	NA
3512065	ACH057A2-1.6-18NZ-D-EC	15810	NA	2 x 500	1800	400/3	1550	NA	3.4	NA
3512066	ACH053A3-2.4-18NZ-D-EC	25610	NA	3 x 500	2700	400/3	1550	NA	5.1	NA
3512067	ACH055A3-2.4-18NZ-D-EC	24610	NA	3 x 500	2700	400/3	1550	NA	5.1	NA
3512068	ACH057A3-2.4-18NZ-D-EC	23710	NA	3 x 500	2700	400/3	1550	NA	5.1	NA
3512069	ACH053A4-3.2-18NZ-D-EC	34150	NA	4 x 500	3600	400/3	1550	NA	6.8	NA
3512070	ACH055A4-3.2-18NZ-D-EC	32810	NA	4 x 500	3600	400/3	1550	NA	6.8	NA
3512071	ACH057A4-3.2-18NZ-D-EC	31610	NA	4 x 500	3600	400/3	1550	NA	6.8	NA

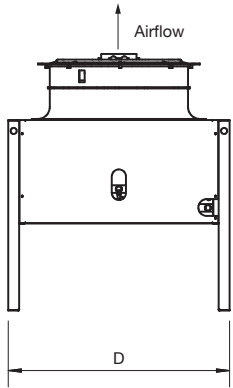
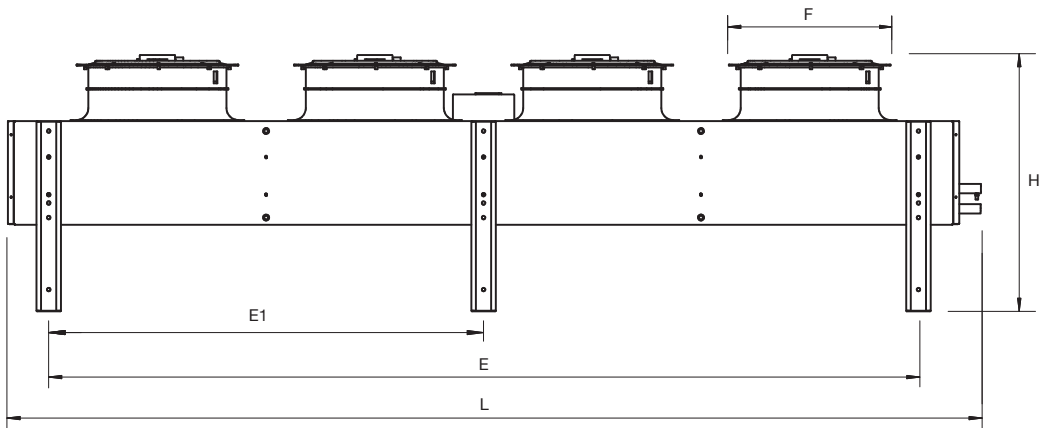
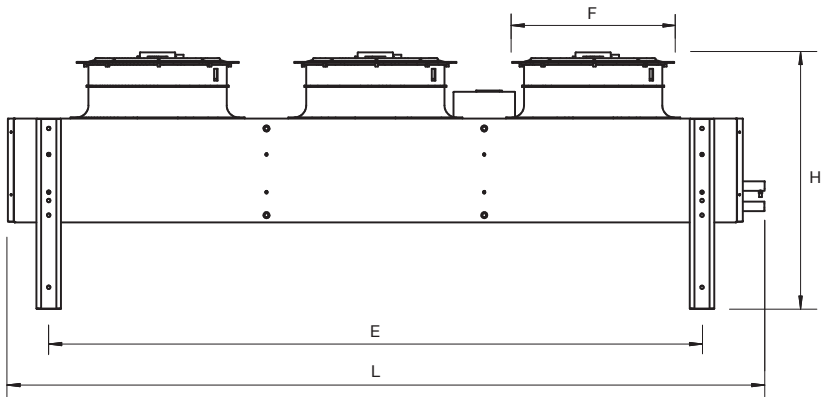
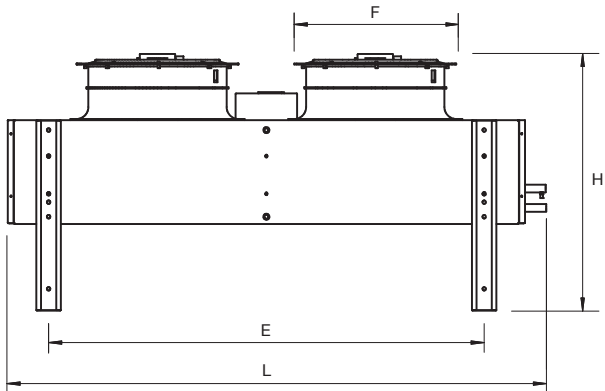
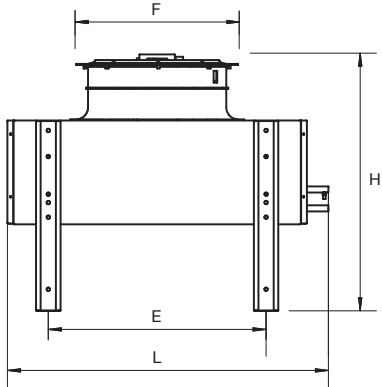
ACH PHYSICAL DATA

Product Code	Model	Connections (mm)		Weight (kg)	Sound Power Level dBA	Dimensions (mm)					
		Inlet	Outlet			L	D	H	F	E	E1
AC Fan Models											
3512036	ACH053A1-0.8-18NZ-D	22.2	22.2	80	78	1180	815	950	500	800	NA
3512037	ACH055A1-0.8-18NZ-D	22.2	22.2	85	78	1180	815	950	500	800	NA
3512038	ACH057A1-0.8-18NZ-D	22.2	22.2	90	78	1180	815	950	500	800	NA
3512039	ACH053A2-1.6-18NZ-D	28.6	28.6	130	81	1980	815	950	500	1600	NA
3512040	ACH055A2-1.6-18NZ-D	28.6	28.6	140	81	1980	815	950	500	1600	NA
3512041	ACH057A2-1.6-18NZ-D	34.9	34.9	150	81	1980	815	950	500	1600	NA
3512042	ACH053A3-2.4-18NZ-D	34.9	34.9	180	83	2780	815	950	500	2400	NA
3512043	ACH055A3-2.4-18NZ-D	34.9	34.9	195	83	2780	815	950	500	2400	NA
3512044	ACH057A3-2.4-18NZ-D	34.9	34.9	210	83	2780	815	950	500	2400	NA
3512045	ACH053A4-3.2-18NZ-D	34.9	34.9	235	84	3580	815	950	500	3200	1600
3512046	ACH055A4-3.2-18NZ-D	41.3	41.3	255	84	3580	815	950	500	3200	1600
3512059	ACH057A4-3.2-18NZ-D	41.3	41.3	275	84	3580	815	950	500	3200	1600

EC Fan Models											
3512060	ACH053A1-0.8-18NZ-D-EC	22.2	22.2	80	85.5	1180	815	950	500	800	NA
3512061	ACH055A1-0.8-18NZ-D-EC	22.2	22.2	85	85.5	1180	815	950	500	800	NA
3512062	ACH057A1-0.8-18NZ-D-EC	22.2	22.2	90	85.5	1180	815	950	500	800	NA
3512063	ACH053A2-1.6-18NZ-D-EC	28.6	28.6	130	88.5	1980	815	950	500	1600	NA
3512064	ACH055A2-1.6-18NZ-D-EC	28.6	28.6	140	88.5	1980	815	950	500	1600	NA
3512065	ACH057A2-1.6-18NZ-D-EC	34.9	34.9	150	88.5	1980	815	950	500	1600	NA
3512066	ACH053A3-2.4-18NZ-D-EC	34.9	34.9	180	90.5	2780	815	950	500	2400	NA
3512067	ACH055A3-2.4-18NZ-D-EC	34.9	34.9	195	90.5	2780	815	950	500	2400	NA
3512068	ACH057A3-2.4-18NZ-D-EC	34.9	34.9	210	90.5	2780	815	950	500	2400	NA
3512069	ACH053A4-3.2-18NZ-D-EC	34.9	34.9	235	91.5	3580	815	950	500	3200	1600
3512070	ACH055A4-3.2-18NZ-D-EC	41.3	41.3	255	91.5	3580	815	950	500	3200	1600
3512071	ACH057A4-3.2-18NZ-D-EC	41.3	41.3	275	91.5	3580	815	950	500	3200	1600

Please contact your nearest branch for more models.

THE ACH CAN EASILY BE MOUNTED IN A VERTICAL OR HORIZONTAL CONFIGURATION BY RELOCATING THE MOUNTING FEET AS REQUIRED.



For more detailed drawings per model please visit actrol.com.au

ACH CAPACITY RATINGS

Product Code	Model	R404A Cap Heat Rejection @ 10 KTD Fan High (kW)	R404A Cap Heat Rejection @ 10 KTD Fan Low (kW)	R452A Cap Heat Rejection @ 10 KTD Fan High (kW)	R452A Cap Heat Rejection @ 10 KTD Fan Low (kW)	R448A Cap Heat Rejection @ 10 KTD Fan High (kW)	R448A Cap Heat Rejection @ 10 KTD Fan Low (kW)
AC Fan Models							
3512036	ACH053A1-0.8-18NZ-D	13.9	12.1	12.4	10.8	11.1	9.7
3512037	ACH055A1-0.8-18NZ-D	18.2	15.4	16.2	13.7	14.6	12.4
3512038	ACH057A1-0.8-18NZ-D	19.1	16.0	17.0	14.3	15.3	12.8
3512039	ACH053A2-1.6-18NZ-D	28.2	25.6	25.1	22.8	22.6	20.5
3512040	ACH055A2-1.6-18NZ-D	35.9	30.9	32.0	27.6	28.8	24.8
3512041	ACH057A2-1.6-18NZ-D	40.5	34.6	36.1	30.9	32.5	27.8
3512042	ACH053A3-2.4-18NZ-D	41.8	38.1	37.3	34.0	33.5	30.6
3512043	ACH055A3-2.4-18NZ-D	53.8	47.0	48.0	41.9	43.2	37.7
3512044	ACH057A3-2.4-18NZ-D	61.2	51.8	54.6	46.2	49.1	41.5
3512045	ACH053A4-3.2-18NZ-D	54.3	51.2	48.4	45.7	43.6	41.1
3512046	ACH055A4-3.2-18NZ-D	72.1	61.1	64.3	54.5	57.8	49.0
3512059	ACH057A4-3.2-18NZ-D	82.3	68.4	73.4	61.0	66.0	54.9

EC Fan Models							
3512060	ACH053A1-0.8-18NZ-D-EC	14.6	NA	13.0	NA	11.7	NA
3512061	ACH055A1-0.8-18NZ-D-EC	19.2	NA	17.1	NA	15.4	NA
3512062	ACH057A1-0.8-18NZ-D-EC	20.4	NA	18.2	NA	16.4	NA
3512063	ACH053A2-1.6-18NZ-D-EC	28.0	NA	25.0	NA	22.5	NA
3512064	ACH055A2-1.6-18NZ-D-EC	37.9	NA	33.8	NA	30.4	NA
3512065	ACH057A2-1.6-18NZ-D-EC	43.2	NA	38.5	NA	34.6	NA
3512066	ACH053A3-2.4-18NZ-D-EC	43.7	NA	39.0	NA	35.1	NA
3512067	ACH055A3-2.4-18NZ-D-EC	56.8	NA	50.6	NA	45.6	NA
3512068	ACH057A3-2.4-18NZ-D-EC	65.4	NA	58.3	NA	52.5	NA
3512069	ACH053A4-3.2-18NZ-D-EC	56.6	NA	50.5	NA	45.4	NA
3512070	ACH055A4-3.2-18NZ-D-EC	76.2	NA	67.9	NA	61.1	NA
3512071	ACH057A4-3.2-18NZ-D-EC	87.9	NA	78.4	NA	70.5	NA

Product Code	Model	R449A Cap Heat Rejection @ 10 KTD Fan High (kW)	R449A Cap Heat Rejection @ 10 KTD Fan Low (kW)	R134a Cap Heat Rejection @ 10 KTD Fan High (kW)	R134a Cap Heat Rejection @ 10 KTD Fan Low (kW)	R450A Cap Heat Rejection @ 10 KTD Fan High (kW)	R450A Cap Heat Rejection @ 10 KTD Fan Low (kW)	R513A Cap Heat Rejection @ 10 KTD Fan High (kW)	R513A Cap Heat Rejection @ 10 KTD Fan Low (kW)
AC Fan Models									
3512036	ACH053A1-0.8-18NZ-D	11.3	9.8	13.7	11.9	11.9	10.3	12.7	11.0
3512037	ACH055A1-0.8-18NZ-D	14.7	12.5	18.0	15.2	15.6	13.2	16.6	14.0
3512038	ACH057A1-0.8-18NZ-D	15.5	13.0	18.8	15.7	16.3	13.7	17.4	14.6
3512039	ACH053A2-1.6-18NZ-D	22.8	20.7	26.2	24.0	24.1	21.9	25.7	23.3
3512040	ACH055A2-1.6-18NZ-D	29.1	25.0	35.3	30.0	30.7	26.4	32.7	28.2
3512041	ACH057A2-1.6-18NZ-D	32.8	28.0	40.0	33.7	34.6	29.6	36.9	31.6
3512042	ACH053A3-2.4-18NZ-D	33.8	30.9	41.0	35.7	35.7	32.6	38.1	34.7
3512043	ACH055A3-2.4-18NZ-D	43.6	38.1	53.0	45.0	46.0	40.2	49.1	42.9
3512044	ACH057A3-2.4-18NZ-D	49.6	41.9	60.6	50.4	52.3	44.3	55.8	47.2
3512045	ACH053A4-3.2-18NZ-D	44.0	41.5	52.9	50.4	46.4	43.8	49.5	46.7
3512046	ACH055A4-3.2-18NZ-D	58.4	49.5	71.1	60.3	61.7	52.3	65.8	55.7
3512059	ACH057A4-3.2-18NZ-D	66.6	55.4	78.5	67.8	70.4	58.5	75.1	62.4

EC Fan Models									
3512060	ACH053A1-0.8-18NZ-D-EC	11.8	NA	14.3	NA	12.5	NA	13.3	NA
3512061	ACH055A1-0.8-18NZ-D-EC	15.5	NA	19.0	NA	16.4	NA	17.5	NA
3512062	ACH057A1-0.8-18NZ-D-EC	16.5	NA	20.0	NA	17.4	NA	18.6	NA
3512063	ACH053A2-1.6-18NZ-D-EC	22.7	NA	27.4	NA	23.9	NA	25.5	NA
3512064	ACH055A2-1.6-18NZ-D-EC	30.7	NA	37.3	NA	32.4	NA	34.6	NA
3512065	ACH057A2-1.6-18NZ-D-EC	35.0	NA	42.7	NA	36.9	NA	39.4	NA
3512066	ACH053A3-2.4-18NZ-D-EC	35.4	NA	42.9	NA	37.4	NA	39.9	NA
3512067	ACH055A3-2.4-18NZ-D-EC	46.0	NA	56.0	NA	48.6	NA	51.8	NA
3512068	ACH057A3-2.4-18NZ-D-EC	53.0	NA	62.8	NA	55.9	NA	59.6	NA
3512069	ACH053A4-3.2-18NZ-D-EC	45.8	NA	55.3	NA	48.4	NA	51.6	NA
3512070	ACH055A4-3.2-18NZ-D-EC	61.7	NA	75.1	NA	65.2	NA	69.5	NA
3512071	ACH057A4-3.2-18NZ-D-EC	71.2	NA	83.7	NA	75.2	NA	80.2	NA

ACW RANGE

83kW to 443kW

ACW is a compact V form air cooled condenser series from Cabero. The ACW has an extremely small footprint with a narrow width which allows application in tight spaces. Models range from 83kW to 443kW total heat of rejection at 10KTD. For larger capacities, ACW condensers can be mounted in a W configuration resulting in a further reduction to total foot print usage. They are suitable for all common HFC refrigerants and retrofit HFO blends.



Standard features:

- Powder coated zinc plated steel construction offers corrosion resistance
- The aluminium fins are protected with Blue-Fin coating
- The fins are straight to reduce fouling and improve long term efficiency
- Ziehl Abegg 910mm fans
- Fans pre-wired to IP54 isolator switches

Nomenclature:

- **A** = axial
- **C** = condenser
- **W** = air cooled V- shape heat exchanger
- **09** = 910mm diameter fan
- **7** = number of rows on each coil
- **A** = fin spacing in this case 2.0 mm
- **2.2** = finned area length (m)
- **2** = number of fans
- **N** = N / L, class of fan with different levels
- **D** = connected in delta

ACW TECHNICAL DATA

Product Code	Model	Air Flow (High speed) m3/h	Air Flow (Low speed) m3/h	No. & Dia. of Fans	Fan Motors					
					Total Watts	Volts/Phase	RPM (High Speed)	RPM (Low Speed)	Total Amps (High speed)	Total Amps (Low speed)
AC Fan Models										
2710485	ACW095A2.2/2L-D	60990	47460	2 x 910	5	400/3	890	690	10.4	5.8
3512073	ACW097A2.2/2L-D	59370	45970	2 x 910	5	400/3	890	690	10.4	5.8
2710487	ACW099A2.2/2L-D	57840	44620	2 x 910	5	400/3	890	690	10.4	5.8
2710488	ACW095A3.3/3L-D	91485	71190	3 x 910	7.5	400/3	890	690	15.6	8.7
3512074	ACW097A3.3/3L-D	89055	68955	3 x 910	7.5	400/3	890	690	15.6	8.7
2710490	ACW099A3.3/3L-D	86760	66930	3 x 910	7.5	400/3	890	690	15.6	8.7
3512075	ACW095A4.4/4L-D	121980	94920	4 x 910	10	400/3	890	690	20.8	11.6
2710492	ACW097A4.4/4L-D	118740	91940	4 x 910	10	400/3	890	690	20.8	11.6
2710493	ACW099A4.4/4L-D	115680	89240	4 x 910	10	400/3	890	690	20.8	11.6
3512076	ACW095A5.5/5L-D	152475	118650	5 x 910	12.5	400/3	890	690	26	14.5
2710495	ACW097A5.5/5L-D	148425	114925	5 x 910	12.5	400/3	890	690	26	14.5
2710496	ACW099A5.5/5L-D	144600	111550	5 x 910	12.5	400/3	890	690	26	14.5
3512077	ACW095A6.6/6L-D	182970	142380	6 x 910	15	400/3	890	690	31.2	17.4
3512078	ACW097A6.6/6L-D	178110	137910	6 x 910	15	400/3	890	690	31.2	17.4
2710499	ACW099A6.6/6L-D	173520	133860	6 x 910	15	400/3	890	690	31.2	17.4

EC Fan Models										
2750456	ACW095A2.2/2N-EC	60900	NA	2 x 910	6.4	400/3	1100	NA	10	NA
2750457	ACW097A2.2/2N-EC	60010	NA	2 x 910	6.4	400/3	1100	NA	10	NA
2750458	ACW099A2.2/2N-EC	59090	NA	2 x 910	6.4	400/3	1100	NA	10	NA
2750459	ACW095A3.3/3N-EC	91350	NA	3 x 910	9.6	400/3	1100	NA	15	NA
2750460	ACW097A3.3/3N-EC	90020	NA	3 x 910	9.6	400/3	1100	NA	15	NA
2750461	ACW099A3.3/3N-EC	88630	NA	3 x 910	9.6	400/3	1100	NA	15	NA
3512079	ACW095A4.4/4N-EC	121800	NA	4 x 910	12.8	400/3	1100	NA	20	NA
2750462	ACW097A4.4/4N-EC	120020	NA	4 x 910	12.8	400/3	1100	NA	20	NA
2750463	ACW099A4.4/4N-EC	118170	NA	4 x 910	12.8	400/3	1100	NA	20	NA
3512080	ACW095A5.5/5N-EC	152240	NA	5 x 910	16	400/3	1100	NA	25	NA
2750464	ACW097A5.5/5N-EC	150030	NA	5 x 910	16	400/3	1100	NA	25	NA
2750465	ACW099A5.5/5N-EC	147720	NA	5 x 910	16	400/3	1100	NA	25	NA
3512081	ACW095A6.6/6N-EC	182690	NA	6 x 910	19.2	400/3	1100	NA	30	NA
2750466	ACW097A6.6/6N-EC	180030	NA	6 x 910	19.2	400/3	1100	NA	30	NA
2750467	ACW099A6.6/6N-EC	177260	NA	6 x 910	19.2	400/3	1100	NA	30	NA

Please contact your nearest branch for more models.

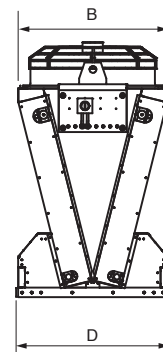
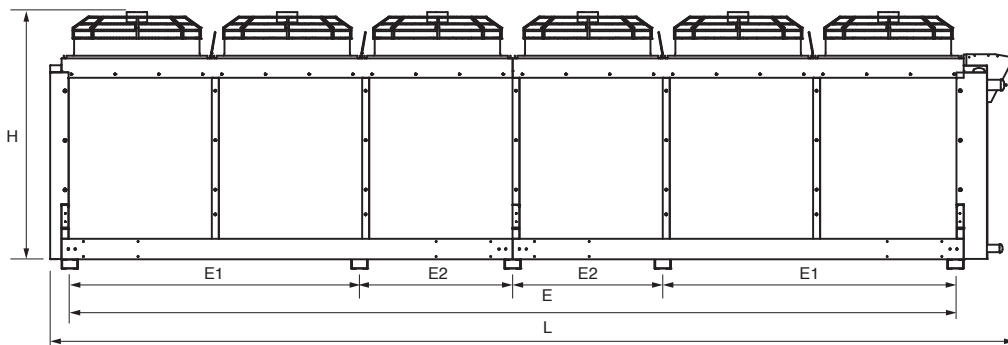
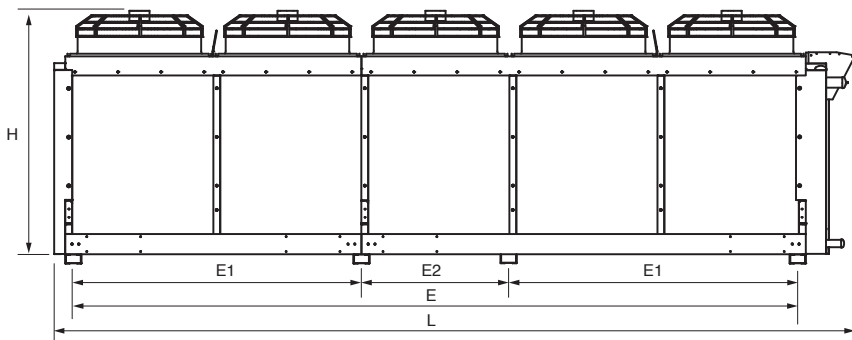
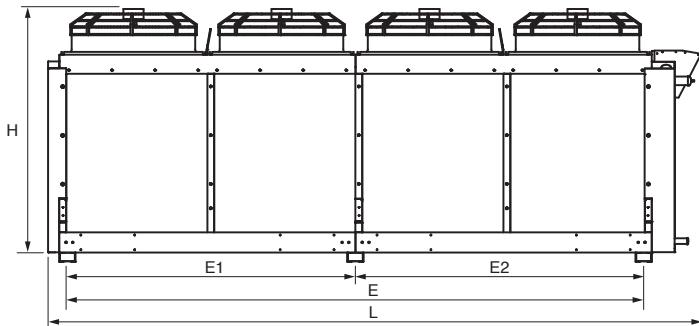
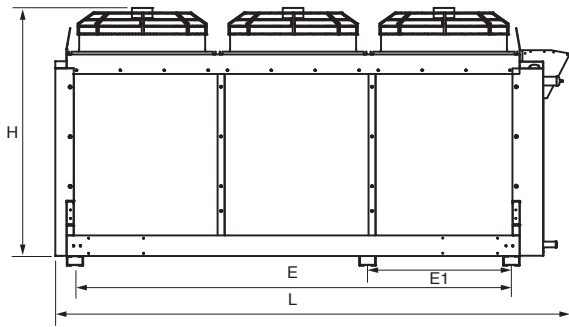
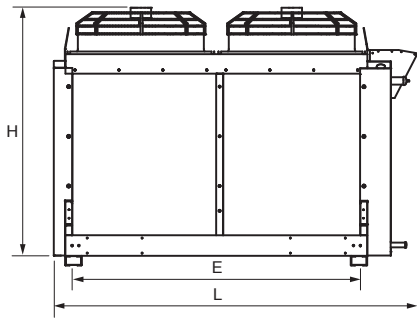
ACW TECHNICAL DATA

Product Code	Model	Connections (mm)		Weight (kg)	Sound Power Level dBA	Overall Dimensions (mm)						
		Inlet	Outlet			L	D	H	B	E	E1	E2
AC Fan Models												
2710485	ACW095A2.2/2L-D	2 x 54	2 x 35	535	91.1	2652	1130	1880	1100	2081	NA	NA
3512073	ACW097A2.2/2L-D	2 x 54	2 x 35	584	91.1	2652	1130	1880	1100	2081	NA	NA
2710487	ACW099A2.2/2L-D	2 x 54	2 x 35	633	91.1	2652	1130	1880	1100	2081	NA	NA
2710488	ACW095A3.3/3L-D	2 x 54	2 x 35	741	92.9	3752	1130	1880	1100	3181	1052	NA
3512074	ACW097A3.3/3L-D	2 x 64	2 x 42	813	92.9	3752	1130	1880	1100	3181	1052	NA
2710490	ACW099A3.3/3L-D	2 x 64	2 x 42	886	92.9	3752	1130	1880	1100	3181	1052	NA
3512075	ACW095A4.4/4L-D	2 x 64	2 x 42	969	94.1	4853	1130	1880	1100	4282	2140	2142
2710492	ACW097A4.4/4L-D	2 x 64	2 x 42	1066	94.1	4853	1130	1880	1100	4282	2140	2142
2710493	ACW099A4.4/4L-D	2 x 64	2 x 42	1163	94.1	4853	1130	1880	1100	4282	2140	2142
3512076	ACW095A5.5/5L-D	2 x 64	2 x 42	1179	95.1	5953	1130	1880	1100	5382	2141	1100
2710495	ACW097A5.5/5L-D	2 x 76	2 x 42	1299	95.1	5953	1130	1880	1100	5382	2141	1100
2710496	ACW099A5.5/5L-D	2 x 76	2 x 54	1420	95.1	5953	1130	1880	1100	5382	2141	1100
3512077	ACW095A6.6/6L-D	2 x 76	2 x 42	1389	95.9	5953	1130	1880	1100	6482	2141	1100
3512078	ACW097A6.6/6L-D	2 x 76	2 x 54	1532	95.9	7053	1130	1880	1100	6482	2141	1100
2710499	ACW099A6.6/6L-D	2 x 76	2 x 54	1677	95.9	7053	1130	1880	1100	6482	2141	1100

EC Fan Models												
2750456	ACW095A2.2/2N-EC	2 x 54	2 x 35	535	91.7	2652	1130	1880	1100	2081	NA	NA
2750457	ACW097A2.2/2N-EC	2 x 54	2 x 35	584	91.7	2652	1130	1880	1100	2081	NA	NA
2750458	ACW099A2.2/2N-EC	2 x 54	2 x 35	633	91.7	2652	1130	1880	1100	2081	NA	NA
2750459	ACW095A3.3/3N-EC	2 x 54	2 x 35	741	93.5	3752	1130	1880	1100	3181	1052	NA
2750460	ACW097A3.3/3N-EC	2 x 64	2 x 42	813	93.5	3752	1130	1880	1100	3181	1052	NA
2750461	ACW099A3.3/3N-EC	2 x 64	2 x 42	886	93.5	3752	1130	1880	1100	3181	1052	NA
3512079	ACW095A4.4/4N-EC	2 x 64	2 x 42	969	94.7	4853	1130	1880	1100	4282	2140	2142
2750462	ACW097A4.4/4N-EC	2 x 64	2 x 42	1066	94.7	4853	1130	1880	1100	4282	2140	2142
2750463	ACW099A4.4/4N-EC	2 x 64	2 x 42	1163	94.7	4853	1130	1880	1100	4282	2140	2142
3512080	ACW095A5.5/5N-EC	2 x 64	2 x 42	1179	95.7	5953	1130	1880	1100	5382	2141	1100
2750464	ACW097A5.5/5N-EC	2 x 76	2 x 42	1299	95.7	5953	1130	1880	1100	5382	2141	1100
2750465	ACW099A5.5/5N-EC	2 x 76	2 x 54	1420	95.7	5953	1130	1880	1100	5382	2141	1100
3512081	ACW095A6.6/6N-EC	2 x 76	2 x 42	1389	96.5	5953	1130	1880	1100	6482	2141	1100
2750466	ACW097A6.6/6N-EC	2 x 76	2 x 54	1532	96.5	7053	1130	1880	1100	6482	2141	1100
2750467	ACW099A6.6/6N-EC	2 x 76	2 x 54	1677	96.5	7053	1130	1880	1100	6482	2141	1100

Please contact your nearest branch for more models.

**THE ACW HAS AN
EXTREMELY SMALL
FOOTPRINT WITH A
NARROW WIDTH WHICH
ALLOWS APPLICATION
IN TIGHT SPACES.**



For more detailed drawings per model please visit actrol.com.au

ACW CAPACITY RATINGS

Product Code	Model	R404A Cap Heat Rejection @ 10 KTD Fan High (kW)	R404A Cap Heat Rejection @ 10 KTD Fan Low (kW)	R452A Cap Heat Rejection @ 10 KTD Fan High (kW)	R452A Cap Heat Rejection @ 10 KTD Fan Low (kW)	R448A Cap Heat Rejection @ 10 KTD Fan High (kW)	R448A Cap Heat Rejection @ 10 KTD Fan Low (kW)
AC Fan Models							
2710485	ACW095A2.2/2L-D	114.1	99.3	101.7	88.5	91.5	79.6
3512073	ACW097A2.2/2L-D	138.6	115.5	123.6	103.0	111.2	92.6
2710487	ACW099A2.2/2L-D	150.9	125.5	134.6	111.9	121.0	100.7
2710488	ACW095A3.3/3L-D	171.1	150.5	152.6	134.2	137.2	120.7
3512074	ACW097A3.3/3L-D	205.3	175.5	183.1	156.5	164.7	140.8
2710490	ACW099A3.3/3L-D	225.7	189.0	201.3	168.5	181.0	151.6
3512075	ACW095A4.4/4L-D	228.2	193.9	203.5	172.9	183.0	155.5
2710492	ACW097A4.4/4L-D	277.2	230.7	247.2	205.7	222.3	185.0
2710493	ACW099A4.4/4L-D	302.7	254.6	269.9	227.0	242.8	204.2
3512076	ACW095A5.5/5L-D	274.9	251.2	245.1	224.0	220.5	201.5
2710495	ACW097A5.5/5L-D	343.4	286.0	306.2	255.0	275.4	229.4
2710496	ACW099A5.5/5L-D	375.3	318.3	334.6	283.8	301.0	255.3
3512077	ACW095A6.6/6L-D	342.3	290.8	305.2	259.3	274.5	233.2
3512078	ACW097A6.6/6L-D	398.2	351.0	355.1	313.0	319.4	281.5
2710499	ACW099A6.6/6L-D	461.0	378.0	411.1	337.1	369.8	303.2

EC Fan Models							
2750456	ACW095A2.2/2N-EC	116.8	NA	104.1	NA	93.7	NA
2750457	ACW097A2.2/2N-EC	136.0	NA	121.3	NA	109.1	NA
2750458	ACW099A2.2/2N-EC	153.3	NA	136.7	NA	123.0	NA
2750459	ACW095A3.3/3N-EC	171.0	NA	152.5	NA	137.2	NA
2750460	ACW097A3.3/3N-EC	206.9	NA	184.5	NA	165.9	NA
2750461	ACW099A3.3/3N-EC	229.1	NA	204.3	NA	183.8	NA
3512079	ACW095A4.4/4N-EC	228.0	NA	203.3	NA	182.9	NA
2750462	ACW097A4.4/4N-EC	279.3	NA	249.0	NA	224.0	NA
2750463	ACW099A4.4/4N-EC	307.6	NA	274.3	NA	246.7	NA
3512080	ACW095A5.5/5N-EC	274.7	NA	244.9	NA	220.3	NA
2750464	ACW097A5.5/5N-EC	346.0	NA	308.5	NA	277.5	NA
2750465	ACW099A5.5/5N-EC	381.3	NA	340.0	NA	305.8	NA
3512081	ACW095A6.6/6N-EC	342.0	NA	305.0	NA	274.3	NA
2750466	ACW097A6.6/6N-EC	401.1	NA	357.7	NA	321.7	NA
2750467	ACW099A6.6/6N-EC	443.5	NA	395.5	NA	355.7	NA

Product Code	Model	R449A Cap Heat Rejection @ 10 KTD Fan High (kW)	R449A Cap Heat Rejection @ 10 KTD Fan Low (kW)	R134a Cap Heat Rejection @ 10 KTD Fan High (kW)	R134a Cap Heat Rejection @ 10 KTD Fan Low (kW)	R450A Cap Heat Rejection @ 10 KTD Fan High (kW)	R450A Cap Heat Rejection @ 10 KTD Fan Low (kW)	R513A Cap Heat Rejection @ 10 KTD Fan High (kW)	R513A Cap Heat Rejection @ 10 KTD Fan Low (kW)
AC Fan Models									
2710485	ACW095A2.2/2L-D	92.4	80.4	101.2	88.1	97.6	84.9	104.1	90.6
3512073	ACW097A2.2/2L-D	112.2	93.5	122.9	102.4	118.5	98.8	126.4	105.3
2710487	ACW099A2.2/2L-D	122.2	101.6	133.8	111.3	129.1	107.3	137.6	114.5
2710488	ACW095A3.3/3L-D	138.6	121.9	151.7	133.5	146.3	128.7	156.0	137.3
3512074	ACW097A3.3/3L-D	166.3	142.1	182.1	155.6	175.6	150.1	187.2	160.1
2710490	ACW099A3.3/3L-D	182.8	153.1	200.2	167.6	193.0	161.6	205.8k	172.4
3512075	ACW095A4.4/4L-D	184.8	157.0	202.4	172.0	195.2	165.8	208.1	176.8
2710492	ACW097A4.4/4L-D	224.5	186.8	245.8	204.6	237.1	197.3	252.8	210.4
2710493	ACW099A4.4/4L-D	245.1	206.2	268.4	225.8	258.9	217.7	276.1	232.2
3512076	ACW095A5.5/5L-D	222.6	203.4	243.8	222.8	235.1	214.8	250.7	229.1
2710495	ACW097A5.5/5L-D	278.1	231.6	304.5	253.6	293.7	244.6	313.2	260.8
2710496	ACW099A5.5/5L-D	303.9	257.8	332.8	282.3	321.0	272.2	342.3	290.3
3512077	ACW095A6.6/6L-D	277.2	235.5	303.6	257.9	292.8	248.7	312.2	265.2
3512078	ACW097A6.6/6L-D	322.5	284.2	353.1	311.3	340.6	300.2	363.2	320.1
2710499	ACW099A6.6/6L-D	373.3	306.1	408.8	335.2	394.3	323.3	420.4	344.7

EC Fan Models									
2750456	ACW095A2.2/2N-EC	94.6	NA	103.6	NA	99.9	NA	106.5	NA
2750457	ACW097A2.2/2N-EC	110.1	NA	120.6	NA	116.3	NA	124.0	NA
2750458	ACW099A2.2/2N-EC	124.1	NA	136.0	NA	131.1	NA	139.8	NA
2750459	ACW095A3.3/3N-EC	138.5	NA	151.7	NA	146.2	NA	156.0	NA
2750460	ACW097A3.3/3N-EC	167.5	NA	183.5	NA	177.0	NA	188.7	NA
2750461	ACW099A3.3/3N-EC	185.5	NA	203.2	NA	195.9	NA	208.9	NA
3512079	ACW095A4.4/4N-EC	184.6	NA	202.2	NA	195.0	NA	207.9	NA
2750462	ACW097A4.4/4N-EC	226.2	NA	247.7	NA	238.9	NA	254.7	NA
2750463	ACW099A4.4/4N-EC	249.1	NA	272.8	NA	263.1	NA	280.5	NA
3512080	ACW095A5.5/5N-EC	222.5	NA	243.6	NA	234.9	NA	250.5	NA
2750464	ACW097A5.5/5N-EC	280.2	NA	306.8	NA	295.9	NA	315.5	NA
2750465	ACW099A5.5/5N-EC	308.8	NA	338.2	NA	326.1	NA	347.7	NA
3512081	ACW095A6.6/6N-EC	277.0	NA	303.3	NA	292.5	NA	311.9	NA
2750466	ACW097A6.6/6N-EC	324.8	NA	355.7	NA	343.0	NA	365.8	NA
2750467	ACW099A6.6/6N-EC	359.1	NA	393.3	NA	379.3	NA	404.5	NA

ACTROL™

Actrol reserves the right to make changes to the information and specifications of products described in this literature without notice or obligation. Images are representative only. For specific detail on any product please contact your local Actrol branch.

V1 [BROCHURE CODE 2101865]