

THE CABERO EVAPORATOR RANGE





Universal Features of Cabero

- Blue fins provide corrosion protection
- Fans and defrost heaters are fully wired to junction box/s (IP54) with cable glands
- High efficiency external rotor fan/s
 - 300mm and 350mm diameter are IP44
 - 500mm diameter are IP54
- Air bypass panel increases efficiency by eliminating air leakage around coil
- Separate fan compartments in all multi fan models
- Reduced dehumidification (moisture removal) and ice formation is achieved through the inline tube configuration
- Unit casings are manufactured from high grade aluminium and powder coated white for greater corrosion and hygiene protection
- Fold down drip trays make maintenance quick and easy
- Drip tray is powder coated internally for easy cleaning and is thermally decoupled and detachable from the heat exchanger casing for increased defrosting efficiency

THE CABERO ADVANTAGE

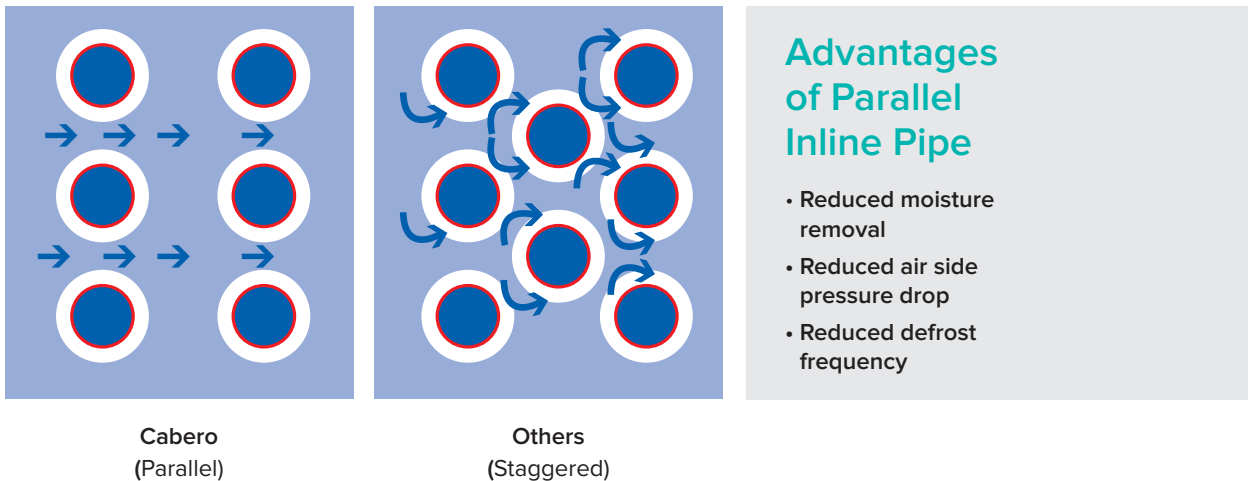
The German designed evaporator range from Cabero incorporates innovative design features that offer customers both good performance and longevity.

The professional inline tube pattern reduces dehumidification enhancing the shelf life of perishable foods such as meat, fruit and vegetables. Blue fin coating and powder coated high grade aluminium cases provide corrosion protection and improved hygiene. Standard design features make Cabero a great choice for coolrooms and freezers in applications such as convenience stores, supermarkets, pubs and clubs,

butchers, groceries, deli's, food processors, distribution centres, ice cream stores and any other walk in application.

Cabero evaporators are a key component for an efficient refrigeration system. Stable temperature and humidity ensures that sensitive products like vegetables, meat, cheese or fish will maintain optimum weight, quality and storage life.

The Cabero difference



Technical Features of Cabero

- Specially designed 12mm smooth bore thick walled copper tubes are less sensitive to pressure drop changes
- Multi refrigerant venturi type distributor suits all commonly used refrigerants
- Inline tube design of 35 x 35mm
- Refrigerant line connections are on the left hand end, when viewed from the fan side.
- Flush mounting to ceiling standard on all models
- Low noise levels due to fans design and increased depth between fan/s and coil face
- Pressure tested according to the PED 97/23/EC and EN327:2000 at 27.5 bar
- Powder coated aluminium in RAL 9010

CABERO CH SERIES

Cabero CH series evaporators are typically used in walk-in cool and freezer rooms with ceiling heights of 2 metres or more and 500mm fan models with ceiling heights of 3 metres or more. CH evaporators are commonly used in fast food outlets, butchers shops, fruit and vegetable shops and general purpose coolrooms and freezers.

Plentiful air movement is provided by the quiet and efficient 300, 350 and 500mm external rotor fan motors to reach all the products in the refrigerated space. The design combination of induced draft air flow, larger distance between the fan and coil face and the air bypass panel provides very good air throw to reach all corners of the room. CH evaporators are fully wired to reduce installation time and the easy to fold down drip tray

allows for quick and easy internal cleaning and on the low temperature models for maintenance of the drip tray defrost heater/s.

All Cabero CH evaporators use blue fin coating and 12mm smooth bore thick walled copper tubes to extend the efficient life of the evaporator. CH series evaporators are a good choice to clients wanting to maximize product quality and storage life.

Standard Features

- Walk-In profile suits cool and freezer rooms
- Powder coated smooth aluminium case
- Low energy fan/s
- Venturi distributor for multiple refrigerants
- Separate fan compartments
- 12mm smooth bore copper tubing
- Stainless steel fixings
- Fins protected with epoxy blue-fin coating
- Flush mount ceiling brackets
- Fan/s pre-wired to IP54 junction box
- Air bypass sheet with special drainage system
- Professional in-line tube configuration
- Fold down drip tray with central drain connection



CABERO CH PRO SERIES

Cabero PRO CH series evaporators have all the features of the CH models plus a fully fitted and wired electronic expansion controller and valve. The controller is IP65 rated which allows it to be fitted inside the evaporator.

The Carel EVD Ice control and expansion valve provide improved refrigeration performance and energy savings at the same time. Electronic expansion valves close 100% so a liquid line solenoid is not required. Where power failures are expected to occur an Ultracap can be added as an accessory to drive the valve closed in the event of a power failure. The Ultracap is simply mounted with the controller and plugs into the existing IP65 rated plug.

Commissioning time is significantly reduced as the controller requires only two digital input from the user. Simply select the refrigerant type and the required

superheat and the setup is complete. Mechanical TX valves which require the system to be close to design temperature before the superheat can be set, electronic expansion valves do not. Controller includes a digital display of the superheat and of any faults to make maintenance and fault find quick and easy.

Energy savings of more than 15% can be achieved by allowing the condensing pressure / temperature to float down with the ambient temperature as electronic expansion valves are not dependant on pressure drop like mechanical TX valves.

Standard Features

- Fast clips securing access panels
- Fully fitted and wired electronic expansion valve
- Fully fitted and wired electronic expansion valve controller
- Expansion valve controller pre-configured for many refrigerants
- Digital display of superheat and fault codes
- Simple control via 240V input
- RS485 connections to suit Carel Ultracella refrigeration system controller
- Walk in profile suits cool and freezer rooms
- Powder coated smooth aluminium case
- External rotor fan/s
- Venturi distributor for multiple refrigerants
- Professional 12mm In-line tube configuration
- Blue fin protective coating on aluminium fins
- Pre-wired fans to IP54 junction box
- Air by-pass sheet with special drainage system
- Fold down drip tray with central drain connection



CABERO LPC SERIES

LPC series evaporators are suited for use in smaller coolrooms and freezers, rooms with low ceiling heights or refrigerated cabinets.

The forced draft air flow and reduced cabinet height of the LPC series allows the room loading space to be maximised. LPC evaporators are commonly used in multi door reach in cool and freezer rooms in convenience stores where the air flow is often directed towards the rear of the room. The combination of blue fin coating and 12mm smooth bore copper thick walled copper tubes provide reliable refrigeration performance and the 300mm external rotor forced draft fan motors are energy efficient, quiet and move generous air volumes to reach all corners of the refrigerated space. Installing an LPC is

made easy with fully wired fans and defrost heaters. The side panels are removable providing clear access to all internal components and for easier fitting of the TX valve and the multi refrigerant distributors require no adjustment. The internally painted drip tray folds down quickly and easily for cleaning of the drip tray and accessing the drip tray defrost heater/s. LPC evaporators are a good choice for all small rooms and cabinets where maximising stock capacity and even temperature of product is important.

Standard Features

- Low profile suits small rooms and reach in cabinets
- Professional in-line tube configuration
- Forced draft provides even air distribution
- Low energy fan/s
- Powder coated smooth aluminium case
- Separate fan compartments
- Venturi distributor for multiple refrigerants
- Stainless steel fixings
- 12mm smooth bore copper tubing
- Flush mount ceiling brackets
- Fan/s pre-wired to IP54 junction box
- Fold down drip tray with central drain conn.
- Fins protected with epoxy blue-fin coating
- Air bypass sheet with special drainage system



CABERO DH SERIES EVAPORATORS

DH series dual air discharge evaporators are designed for process and packaging rooms and for sensitive products where reduced air flow is optimal.

The DH evaporators are mounted centrally to the ceiling and use a forced draft air flow design to distribute low velocity air into the refrigerated space. Both drip trays fold down for easy access and are powder coated internally for easy cleaning.

The fans are fully wired and the panels are easily removed for installation and maintenance. Plenty of room is provided for mounting the TX valve.

The combination of 12mm smooth bore thick walled copper tubes and return bends with blue fin protected fins protect the heat transfer surface.

Standard Features

- Low profile dual air discharge design
- Professional in-line tube configuration
- Forced draft provides even air distribution
- Low energy fans
- Powder coated smooth aluminium case
- Venturi distributor for multiple refrigerants
- Stainless steel fixings
- Flush mount ceiling brackets
- Fans pre-wired to IP54 junction box
- Fold down drip trays with threaded central drain connections
- Blue Fin protection
- Air by-pass sheets with special drainage system



CH SERIES - MEDIUM TEMPERATURE SELECTION DATA

Cat. No.	Part No.	Capacity @ -8°C SST & 8 KTD : Watts		Capacity @ -4°C SST & 6 KTD : Watts		Air Flow l/s	Air Throw m	No. & Dia. of Fans	Fan Motors			Connections	
		R404A (EN 328 SC2)	R134a (EN 328 SC2)	R404A (EN 328)	R134a (EN 328)				Total Watts	Total Amps	Heat/24 Hrs Total Watts	Liq."	Suct."

300mm and 350mm Diameter Fan Model - 4mm Fin Spacing

2710355	CH4B1/30-1	2120	1929	1611	1466	439	6	1 x 300	62	0.28	1488	1/2	1/2
2710356	CH4C1/30-1	2590	2357	1968	1791	428							
2710357	CH4B1/35-1	3060	2785	2326	2116	689	7	1 x 350	130	0.58	3120		1/2
2710358	CH4C1/35-1	3980	3622	3025	2753	664							
2710359	CH4B2/30-1	4240	3858	3222	2932	878	6	1 x 350	130	0.58	3120		3/4
2710360	CH4D1/35-1	4530	4122	3443	3133	622							
	CH4E1/35-1	4850	4414	3686	3354	586	7	2 x 300	124	0.56	2976		3/4
2710361	CH4C2/30-1	5170	4705	3929	3576	856							
2710362	CH4B2/35-1	6480	5897	4925	4482	1383	9	2 x 350	260	1.16	6240		7/8
2710363	CH4C2/35-1	7970	7253	6057	5512	1322							
2710364	CH4D2/35-1	9000	8190	6840	6224	1230	8	3 x 350	390	1.74	9360	5/8	
2710365	CH4E2/35-1	9890	9000	7516	6840	1183							
2710366	CH4C3/35-1	11910	10838	9052	8237	1936	10	4 x 350	520	2.32	12480	7/8	
2710367	CH4D3/35-1	13850	12604	10526	9579	1839							
2710368	CH4E3/35-1	14940	13595	11354	10333	1761	9	4 x 350	520	2.32	12480	7/8	
2710369	CH4D4/35-1	18470	16808	14037	12774	2439							
2710370	CH4E4/35-1	20800	18928	15808	14385	2358							1 3/8

500mm Diameter Fan Model - 4mm Fin Spacing

	CH4C1/50-1	11460	10429	8710	7926	2033	26	1 x 500	730	1.35	17520	5/8	1 1/8
2710371	CH4D1/50-1	13740	12503	10442	9503	1975	25						
	CH4E1/50-1	15190	13823	11544	10505	1922	24						
2710372	CH4G1/50-1	17450	15880	13262	12068	1808	22	2 x 500	1460	2.70	35040	7/8	1 5/8
2710373	CH4C2/50-1	23220	21130	17647	16059	4067	27						
2710374	CH4D2/50-1	27690	25198	21044	19150	3950	26						
2710375	CH4E2/50-1	30720	27955	23347	21246	3844	25						
2710376	CH4G2/50-1	35400	32214	26904	24483	3617	23						
2710377	CH4D3/50-1	41490	37756	31532	28694	5925	26						
2710378	CH4E3/50-1	46640	42442	35446	32256	5767	25	3 x 500	2190	4.05	52560	1 1/8	2 1/8
2710379	CH4G3/50-1	51680	47029	39277	35742	5425	23						
3509085	CH4D4/50-1	52900	48139	40204	36586	7900	26	4 x 500	2920	5.4	70080	1 3/8	2 5/8
3509086	CH4E4/50-1	58850	53554	44726	40701	7689	25						
3509087	CH4G4/50-1	67070	61034	50973	46386	7233	23						

Refrigerant Correction Multiplier

Refrigerant	R404A	R507	R134a	R22
Capacity Multiplier	1.0	1.0	0.91	0.95

*Internally equalised expansion valve required.

CH SERIES - MEDIUM TEMPERATURE DIMENSION DATA

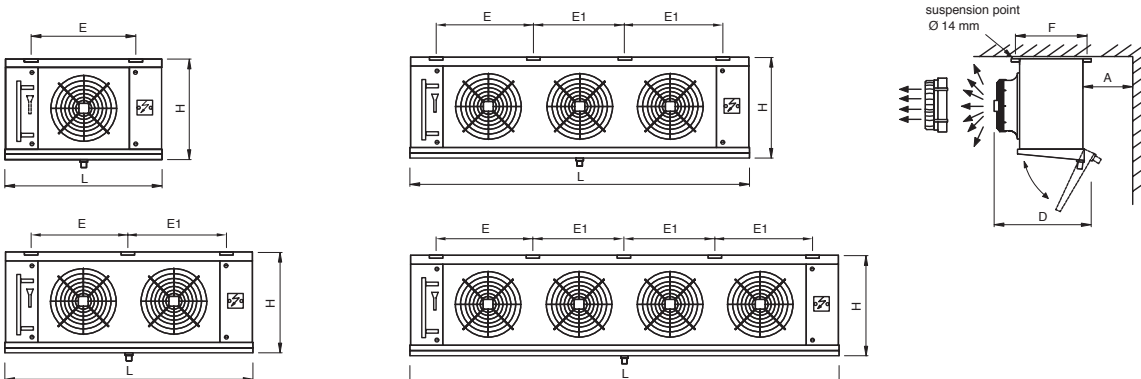
Cat. No.	Part No.	Drain BSP"	Weight kg	Overall Dim: mm						
				L	D	H	E	E1	F	A

300mm and 350mm Diameter Fan Model - 4mm Fin Spacing

2710355	CH4B1/30-1	1	19	780	470	470	490	NA	415	400
2710356	CH4C1/30-1	1	22	780	470	470	490	NA	415	400
2710357	CH4B1/35-1	1	26	980	530	470	690	NA	415	400
2710358	CH4C1/35-1	1	28	980	530	470	690	NA	415	400
2710359	CH4B2/30-1	1	34	1230	470	470	940	NA	415	400
2710360	CH4D1/35-1	1	30	980	530	470	690	NA	415	400
	CH4E1/35-1	1	32	980	530	470	690	NA	415	400
2710361	CH4C2/30-1	1	38	1230	470	470	940	NA	415	400
2710362	CH4B2/35-1	1	43	1630	530	470	1340	NA	415	400
2710363	CH4C2/35-1	1	47	1630	530	470	1340	NA	415	400
2710364	CH4D2/35-1	1	53	1630	530	470	1340	NA	415	400
2710365	CH4E2/35-1	1	58	1630	530	470	1340	NA	415	400
2710366	CH4C3/35-1	1	69	2360	530	470	1990	NA	415	400
2710367	CH4D3/35-1	1	75	2360	530	470	1990	NA	415	400
2710368	CH4E3/35-1	1	82	2360	530	470	1990	NA	415	400
2710369	CH4D4/35-1	1	98	3010	530	470	1340	1300	415	400
2710370	CH4E4/35-1	1	107	3010	530	470	1340	1300	415	400

500mm Diameter Fan Model - 4mm Fin Spacing

	CH4C1/50-1	1 1/4	96	1494	720	750	1120	NA	510	550
2710371	CH4D1/50-1	1 1/4	103	1494	720	720	1120	NA	510	550
	CH4E1/50-1	1 1/4	110	1494	720	720	1120	NA	510	550
2710372	CH4G1/50-1	1 1/4	128	1494	790	790	1120	NA	580	550
2710373	CH4C2/50-1	1 1/4	164	2574	720	720	1120	1080	510	550
2710374	CH4D2/50-1	1 1/4	178	2574	720	720	1120	1080	510	550
2710375	CH4E2/50-1	1 1/4	191	2574	720	720	1120	1080	510	550
2710376	CH4G2/50-1	1 1/4	222	2574	790	790	1120	1080	580	550
2710377	CH4D3/50-1	1 1/4	250	3654	720	720	1120	1080	510	550
2710378	CH4E3/50-1	1 1/4	271	3654	720	720	1120	1080	510	550
2710379	CH4G3/50-1	1 1/4	318	3654	790	790	1120	1080	580	550
3509085	CH4D4/50-1	2	321	4014	720	880	940	900	510	550
3509086	CH4E4/50-1	2	351	4014	720	880	940	900	510	550
3509087	CH4G4/50-1	2	414	4014	790	880	940	900	580	550



FOR ALL WIRING DIAGRAMS AND INSTALLATION INSTRUCTIONS VISIT WWW.ACTROL.COM.AU

CH E SERIES - LOW TEMPERATURE SELECTION DATA

Cat. No.	Part No.	Capacity @ -25°C SST & 7 KTD : Watts	Capacity @ -24°C SST & 6 KTD : Watts	Air Flow l/s	Air Throw m	No. & Diam. of Fans	Fan Motors			Defrost Heaters 240 Volt			Connections	
		"R404A (EN 328 SC3)"	"R404A (EN 328)"				Total Watts	Total Amps	Heat/ 24 Hrs Total Watts	Coil No. & Watts	Drip Tray No. & Watts	Total Amps	Liq."	Suct."

300mm and 350mm Diameter Fan Model - 4mm Fin Spacing

2710381	CH4B1/30E-1	1590	1363	439	6	1 x 300	62	0.28	1488	2 x 450	1 x 450	5.6	1/2	1/2
2710382	CH4C1/30E-1	1820	1560	428										
2710383	CH4B1/35E-1	2310	1980	689	7	1 x 350	130	0.58	3120	2 x 650	1 x 650	8.1		1/2
2710384	CH4C1/35E-1	2950	2529	664										
2710385	CH4B2/30E-1	3180	2726	878	6	1 x 300	124	0.56	2976	2 x 850	1 x 850	10.6		5/8
	CH4D1/35E-1	3310	2837	622										
2710386	CH4E1/35E-1	3450	2957	586	7	1 x 350	130	0.58	3120	4 x 650	1 x 650	13.5		3/4
2710387	CH4C2/30E-1	3650	3129	856										
2710388	CH4B2/35E-1	5040	4320	1383	9	2 x 350	124	0.56	2976	2 x 850	1 x 850	10.6		7/8
2710389	CH4C2/35E-1	6100	5229	1322										
2710390	CH4D2/35E-1	6890	5906	1230	8	2 x 350	260	1.16	6240	2 x 1200	1 x 1200	15.0	5/8	
2710391	CH4E2/35E-1	7210	6180	1183										
2710392	CH4C3/35E-1	9080	7783	1936	10	3 x 350	390	1.74	9360	2 x 1750	1 x 1750	21.8	1 1/8	
	CH4D3/35E-1	10290	8820	1839										
2710393	CH4E3/35E-1	10790	9249	1761	9	3 x 350	390	1.74	9360	4 x 1750	1 x 1750	36.4	1 1/8	
2710394	CH4D4/35E-1	13760	11794	2439										
2710395	CH4E4/35E-1	14900	12771	2358	9	4 x 350	520	2.32	12480	4 x 2300	1 x 2300	47.9	7/8	1 3/8

500mm Diameter Fan Model - 4mm Fin Spacing

2710396	CH4C1/50E-1	8310	7123	2033	26	1 x 500	730	1.35	17520	3 x 850	2 x 850	177	5/8	1 1/8
	CH4D1/50E-1	10300	8829	1975										
2710397	CH4E1/50E-1	10990	9420	1922	24	1 x 500	730	1.35	17520	5 x 850	2 x 850	24.8	5/8	1 1/8
	CH4G1/50E-1	12570	10774	1808										
2710398	CH4C2/50E-1	17000	14571	4067	27	2 x 500	1460	2.70	35040	3 x 1650	2 x 1650	34.4	7/8	1 3/8
	CH4D2/50E-1	20950	17957	3950										
2710399	CH4E2/50E-1	22420	19217	3844	25	2 x 500	1460	2.70	35040	5 x 1650	2 x 1650	48.1	7/8	1 5/8
2710400	CH4G2/50E-1	26120	22389	3617										
2710401	CH4D3/50E-1	30770	26374	5925	26	3 x 500	2190	4.05	52560	5 x 2450	2 x 2450	71.5	1 1/8	2 1/8
	CH4E3/50E-1	34820	29846	5767										
2710403	CH4G3/50E-1	36800	31543	5425	23	3 x 500	2190	4.05	52560	6 x 2450	2 x 2450	81.7	1 1/8	2 1/8
3509088	CH4D4/50E-1	39070	33489	7900										
3509089	CH4E4/50E-1	42920	36789	7689	25	4 x 500	2920	5.4	70080	7 x 2600	2 x 2600	97.5	1 3/8	2 5/8
3509090	CH4G4/50E-1	48260	41366	7233										

Refrigerant Correction Multiplier

Refrigerant	R404A	R507	R134a	R22
Capacity Multiplier	1.0	1.0	0.85	0.95

*Internally equalised expansion valve required.

CH E SERIES - LOW TEMPERATURE DIMENSION DATA

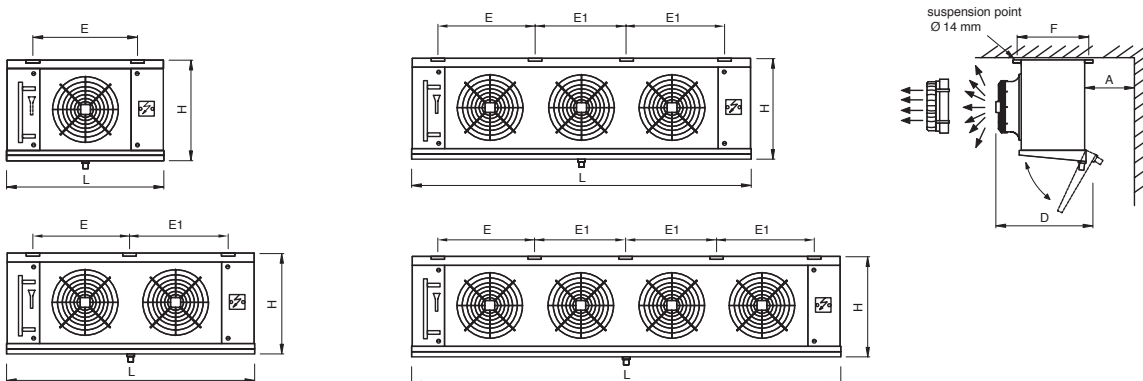
Cat. No.	Part No.	Drain BSP"	Weight kg	Overall Dim: mm						
				L	D	H	E	E1	F	A

300mm and 350mm Diameter Fan Model - 4mm Fin Spacing

2710381	CH4B1/30E-1	1	19	780	470	470	490	NA	415	400
2710382	CH4C1/30E-1	1	22	780	470	470	490	NA	415	400
2710383	CH4B1/35E-1	1	26	980	530	470	690	NA	415	400
2710384	CH4C1/35E-1	1	28	980	530	470	690	NA	415	400
2710385	CH4B2/30E-1	1	34	1230	470	470	940	NA	415	400
	CH4D1/35E-1	1	30	980	530	470	690	NA	415	400
2710386	CH4E1/35E-1	1	32	980	530	470	690	NA	415	400
2710387	CH4C2/30E-1	1	38	1230	470	470	940	NA	415	400
2710388	CH4B2/35E-1	1	43	1630	530	470	1340	NA	415	400
2710389	CH4C2/35E-1	1	47	1630	530	470	1340	NA	415	400
2710390	CH4D2/35E-1	1	53	1630	530	470	1340	NA	415	400
2710391	CH4E2/35E-1	1	58	1630	530	470	1340	NA	415	400
2710392	CH4C3/35E-1	1	69	2360	530	470	1990	NA	415	400
	CH4D3/35E-1	1	75	2360	530	470	1990	NA	415	400
2710393	CH4E3/35E-1	1	82	2360	530	470	1990	NA	415	400
2710394	CH4D4/35E-1	1	98	3010	530	470	1340	1300	415	400
2710395	CH4E4/35E-1	1	107	3010	530	470	1340	1300	415	400

500mm Diameter Fan Model - 4mm Fin Spacing

2710396	CH4C1/50E-1	1 1/4	98	1494	720	750	1120	NA	510	550
	CH4D1/50E-1	1 1/4	105	1494	720	720	1120	NA	510	550
2710397	CH4E1/50E-1	1 1/4	112	1494	720	720	1120	NA	510	550
	CH4G1/50E-1	1 1/4	130	1494	790	790	1120	NA	580	550
2710398	CH4C2/50E-1	1 1/4	167	2574	720	720	1120	1080	510	550
	CH4D2/50E-1	1 1/4	181	2574	720	720	1120	1080	510	550
2710399	CH4E2/50E-1	1 1/4	194	2574	720	720	1120	1080	510	550
2710400	CH4G2/50E-1	1 1/4	225	2574	790	790	1120	1080	580	550
2710401	CH4D3/50E-1	1 1/4	254	3654	720	720	1120	1080	510	550
	CH4E3/50E-1	1 1/4	275	3654	720	720	1120	1080	510	550
2710403	CH4G3/50E-1	1 1/4	322	3654	790	790	1120	1080	580	550
3509088	CH4D4/50E-1	2	330	4014	720	880	940	900	510	550
3509089	CH4E4/50E-1	2	360	4014	720	880	940	900	510	550
3509090	CH4G4/50E-1	2	423	4014	790	880	940	900	580	550



FOR ALL WIRING DIAGRAMS AND INSTALLATION INSTRUCTIONS VISIT WWW.ACTROL.COM.AU

CH SERIES - WATER DEFROST EVAPORATORS SELECTION DATA

Cat. No.	Part No.	Capacity @ -8°C SST & 8 KTD : Watts		Capacity @ -4°C SST & 6 KTD : Watts		Air Flow l/s	Air Throw m	No. & Dia. of Fans	Fan Motors		
		R404A (EN 328 SC2)	R134a (EN 328 SC2)	R404A (EN 328)	R134a (EN 328)				Total Watts	Total Amps	Heat/24 Hrs Total Watts

Water Defrost Evaporators

3509010	CH4C2/50W-1	23220	21130	17647	16059	4067	27	2 x 500	1460	2.7	35040
3509011	CH4D2/50W-1	27690	25198	21044	19150	3950	26				
3509012	CH4E2/50W-1	30720	27955	23347	21246	3844	25				
3509013	CH4G2/50W-1	35400	32214	26904	24483	3617	23	3 x 500	2190	4.1	52560
3509014	CH4D3/50W-1	14490	37756	31532	28694	5925	26				
3509015	CH4E3/50W-1	46640	42442	35446	32256	5767	25				
3509016	CH4G3/50W-1	51680	47029	39277	35742	5425	23	4 x 500	2920	5.4	70080
3509017	CH4D4/50W-1	52900	48139	40204	36586	7900	26				
3509018	CH4E4/50W-1	58850	53554	44726	40701	7689	25				
3509019	CH4G4/50W-1	67070	61034	50973	46386	7233	23				

Cat. No.	Part No.	Water Defrost			Connections	
		Inlet BSP "	Outlet BSP "	Flow Rate l/s	Liq."	Suct."
3509010	CH4C2/50W-1	1 1/2	3	1.8	7/8	1 3/8
3509011	CH4D2/50W-1	1 1/2	3	2.0	7/8	1 5/8
3509012	CH4E2/50W-1	1 1/2	3	2.3	7/8	1 5/8
3509013	CH4G2/50W-1	2	3	2.9	7/8	1 5/8
3509014	CH4D3/50W-1	2	4	3.0	7/8	2 1/8
3509015	CH4E3/50W-1	2	4	3.4	1 1/8	2 1/8
3509016	CH4G3/50W-1	2	4	4.3	1 1/8	2 1/8
3509017	CH4D4/50W-1	2	4	3.3	1 1/8	2 1/8
3509018	CH4E4/50W-1	2	4	3.8	1 3/8	2 1/8
3509019	CH4G4/50W-1	2	4	4.7	1 3/8	2 5/8

Refrigerant Correction Multiplier

Refrigerant	R404A	R507	R134a	R22
Capacity Multiplier	1.0	1.0	0.91	0.95

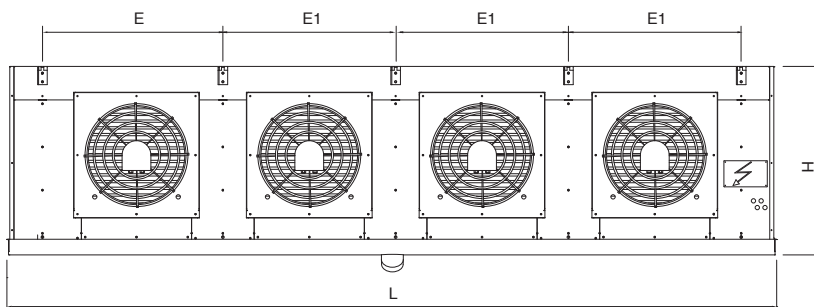
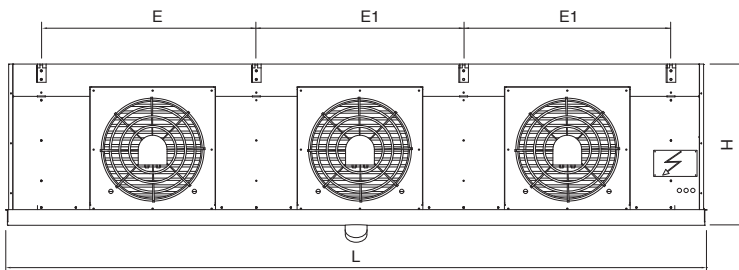
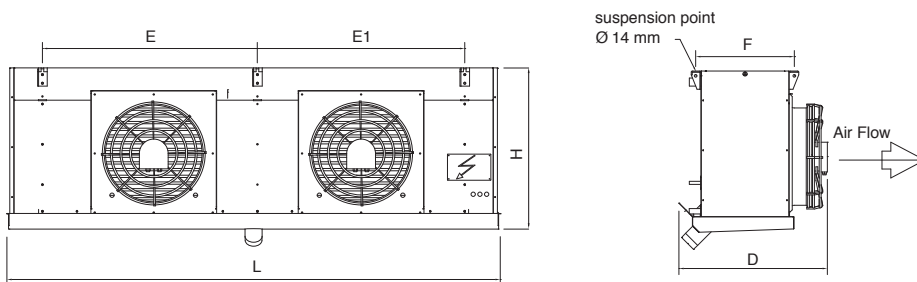
*Internally equalised expansion valve required.

CH SERIES - WATER DEFROST EVAPORATORS DIMENSION DATA

Cat. No.	Part No.	Weight kg	Overall Dim: mm						
			L	D	H	E	E1	F	A

500mm Diameter Fan Model - 4mm Fin Spacing

3509010	CH4C2/50W-1	190	2570	793	840	1120	1080	514	550
3509011	CH4D2/50W-1	205	2570	793	840	1120	1080	514	550
3509012	CH4E2/50W-1	220	2570	793	840	1120	1080	514	550
3509013	CH4G2/50W-1	254	2570	863	840	1120	1080	584	550
3509014	CH4D3/50W-1	290	3650	793	840	1120	2 x 1080	514	550
3509015	CH4E3/50W-1	311	3650	793	840	1120	2 x 1080	514	550
3509016	CH4G3/50W-1	359	3650	863	840	1120	2 x 1080	584	550
3509017	CH4D4/50W-1	370	4040	793	982	940	3 x 900	514	550
3509018	CH4E4/50W-1	397	4040	793	982	940	3 x 900	514	550
3509019	CH4G4/50W-1	464	4040	863	982	940	3 x 900	584	550



FOR ALL WIRING DIAGRAMS AND INSTALLATION INSTRUCTIONS VISIT WWW.ACTROL.COM.AU

CH PRO SERIES - MEDIUM TEMPERATURE SELECTION DATA

Cat. No.	Part No.	Capacity @ -8°C SST & 8 KTD : Watts		Capacity @ -4°C SST & 6 KTD : Watts		Air Flow l/s	Air Throw m	No. & Dia. of Fans	Fan Motors			Connections	
		R404A (EN 328 SC2)	R134a (EN 328 SC2)	R404A (EN 328)	R134a (EN 328)				Total Watts	Total Amps	Heat/24 Hrs Total Watts	Liq."	Suct."

300mm and 350mm Diameter Fan Model - 4mm Fin Spacing

3511000	CH4B1/30-1 EVD	2120	1929	1611	1466	439	6	1 x 300	62	0.28	1488	1/2	1/2
3511001	CH4C1/30-1 EVD	2590	2357	1968	1791	428							1/2
3511002	CH4B1/35-1 EVD	3060	2785	2326	2116	689	7	1 x 350	130	0.58	3120		5/8
3511003	CH4C1/35-1 EVD	3980	3622	3025	2753	664							3/4
3511004	CH4B2/30-1 EVD	4240	3858	3222	2932	878	6	2 x 300	124	0.56	2976		3/4
3511005	CH4D1/35-1 EVD	4530	4122	3443	3133	622							
	CH4E1/35-1 EVD	4850	4414	3686	3354	586	7	1 x 350	130	0.58	3120		3/4
3511006	CH4C2/30-1 EVD	5170	4705	3929	3576	856							
3511007	CH4B2/35-1 EVD	6480	5897	4925	4482	1383	9	2 x 350	260	1.16	6240		7/8
3511008	CH4C2/35-1 EVD	7970	7253	6057	5512	1322							
3511009	CH4D2/35-1 EVD	9000	8190	6840	6224	1230	8	3 x 350	390	1.74	9360	5/8	
3511010	CH4E2/35-1 EVD	9890	9000	7516	6840	1183							
3511011	CH4C3/35-1 EVD	11910	10838	9052	8237	1936	10	4 x 350	520	2.32	12480	7/8	
3511012	CH4D3/35-1 EVD	13850	12604	10526	9579	1839							
3511013	CH4E3/35-1 EVD	14940	13595	11354	10333	1761	9	3 x 350	390	1.74	9360	1 1/8	
3511014	CH4D4/35-1 EVD	18470	16808	14037	12774	2439							
3511015	CH4E4/35-1 EVD	20800	18928	15808	14385	2358						7/8	1 3/8

500mm Diameter Fan Model - 4mm Fin Spacing

	CH4C1/50-1 EVD	11460	10429	8710	7926	2033	26	1 x 500	730	1.35	17520	5/8	1 1/8
3511017	CH4D1/50-1 EVD	13740	12503	10442	9503	1975	25						
	CH4E1/50-1 EVD	15190	13823	11544	10505	1922	24						
3511018	CH4G1/50-1 EVD	17450	15880	13262	12068	1808	22	2 x 500	1460	2.70	35040	7/8	1 3/8
3511019	CH4C2/50-1 EVD	23220	21130	17647	16059	4067	27						
3511016	CH4D2/50-1 EVD	27690	25198	21044	19150	3950	26						
3511020	CH4E2/50-1 EVD	30720	27955	23347	21246	3844	25						
3509076	CH4G2/50-1 EVD	35400	32214	26904	24483	3617	23	3 x 500	2190	4.05	52560	1 1/8	2 1/8
3509077	CH4D3/50-1 EVD	41490	37756	31532	28694	5925	26						
3509078	CH4E3/50-1 EVD	46640	42442	35446	32256	5767	25						
3509079	CH4G3/50-1 EVD	51680	47029	39277	35742	5425	23						

Refrigerant Correction Multiplier

Refrigerant	R404A	R507	R134a	R22
Capacity Multiplier	1.0	1.0	0.91	0.95

*Internally equalised expansion valve required.

CH PRO SERIES - MEDIUM TEMPERATURE DIMENSION DATA

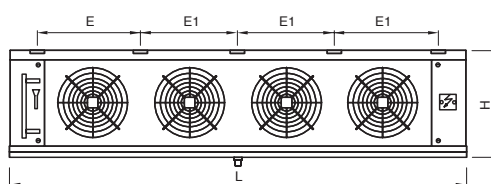
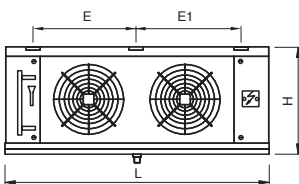
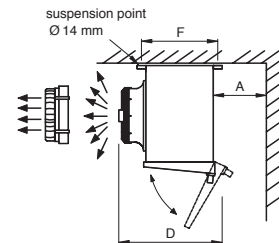
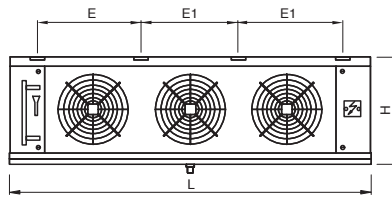
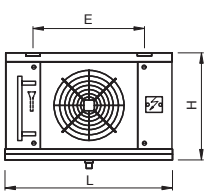
Cat. No.	Part No.	Drain BSP"	Weight kg	Overall Dim: mm						
				L	D	H	E	E1	F	A

300mm and 350mm Diameter Fan Model - 4mm Fin Spacing

3511000	CH4B1/30-1 EVD	1	19	780	470	470	490	NA	415	400
3511001	CH4C1/30-1 EVD	1	22	780	470	470	490	NA	415	400
3511002	CH4B1/35-1 EVD	1	26	980	530	470	690	NA	415	400
3511003	CH4C1/35-1 EVD	1	28	980	530	470	690	NA	415	400
3511004	CH4B2/30-1 EVD	1	34	1230	470	470	940	NA	415	400
3511005	CH4D1/35-1 EVD	1	30	980	530	470	690	NA	415	400
	CH4E1/35-1 EVD	1	32	980	530	470	690	NA	415	400
3511006	CH4C2/30-1 EVD	1	38	1230	470	470	940	NA	415	400
3511007	CH4B2/35-1 EVD	1	43	1630	530	470	1340	NA	415	400
3511008	CH4C2/35-1 EVD	1	47	1630	530	470	1340	NA	415	400
3511009	CH4D2/35-1 EVD	1	53	1630	530	470	1340	NA	415	400
3511010	CH4E2/35-1 EVD	1	58	1630	530	470	1340	NA	415	400
3511011	CH4C3/35-1 EVD	1	69	2360	530	470	1990	NA	415	400
3511012	CH4D3/35-1 EVD	1	75	2360	530	470	1990	NA	415	400
3511013	CH4E3/35-1 EVD	1	82	2360	530	470	1990	NA	415	400
3511014	CH4D4/35-1 EVD	1	98	3010	530	470	1340	1300	415	400
3511015	CH4E4/35-1 EVD	1	107	3010	530	470	1340	1300	415	400

500mm Diameter Fan Model - 4mm Fin Spacing

	CH4C1/50-1 EVD	1 1/4	96	1560	720	750	1120	NA	510	550
3511017	CH4D1/50-1 EVD	1 1/4	103	1560	720	720	1120	NA	510	550
	CH4E1/50-1 EVD	1 1/4	110	1560	720	720	1120	NA	510	550
3511018	CH4G1/50-1 EVD	1 1/4	128	1560	790	790	1120	NA	580	550
3511019	CH4C2/50-1 EVD	1 1/4	164	2640	720	720	1120	1080	510	550
3511016	CH4D2/50-1 EVD	1 1/4	178	2640	720	720	1120	1080	510	550
3511020	CH4E2/50-1 EVD	1 1/4	191	2640	720	720	1120	1080	510	550
3509076	CH4G2/50-1 EVD	1 1/4	222	3720	790	790	1120	1080	580	550
3509077	CH4D3/50-1 EVD	1 1/4	250	3720	720	720	1120	1080	510	550
3509078	CH4E3/50-1 EVD	1 1/4	271	3720	720	720	1120	1080	510	550
3509079	CH4G3/50-1 EVD	1 1/4	318	3720	790	790	1120	1080	580	550



FOR ALL WIRING DIAGRAMS AND INSTALLATION INSTRUCTIONS VISIT WWW.ACTROL.COM.AU

CH PRO E SERIES - LOW TEMPERATURE SELECTION DATA

Cat. No.	Part No.	Capacity @ -25°C SST & 7 KTD : Watts	Capacity @ -24°C SST & 6 KTD : Watts	Air Flow l/s	Air Throw m	No. & Dia. of Fans	Fan Motors			Connections	
		"R404A (EN 328 SC3)"	"R404A (EN 328)"				Total Watts	Total Amps	Heat/24 Hrs Total Watts	Liq."	Suct."

300mm and 350mm Diameter Fan Model - 4mm Fin Spacing

3511021	CH4B1/30E-1 EVD	1590	1363	439	6	1 x 300	62	0.28	1488	1/2	1/2
3511022	CH4C1/30E-1 EVD	1820	1560	428							
3511023	CH4B1/35E-1 EVD	2310	1980	689	7	1 x 350	130	0.58	3120		1/2
3511024	CH4C1/35E-1 EVD	2950	2529	664							5/8
3511025	CH4B2/30E-1 EVD	3180	2726	878	6	2 x 300	124	0.56	2976		3/4
	CH4D1/35E-1 EVD	3310	2837	622							
3511026	CH4E1/35E-1 EVD	3450	2957	586	7	1 x 350	130	0.58	3120		
3511027	CH4C2/30E-1 EVD	3650	3129	856							
3511028	CH4B2/35E-1 EVD	5040	4320	1383	9	2 x 350	260	1.16	6240		7/8
3511029	CH4C2/35E-1 EVD	6100	5229	1322							
3511030	CH4D2/35E-1 EVD	6890	5906	1230	8	3 x 350	390	1.74	9360	5/8	
3511031	CH4E2/35E-1 EVD	7210	6180	1183							
3511032	CH4C3/35E-1 EVD	9080	7783	1936	10	4 x 350	520	2.32	12480	7/8	
	CH4D3/35E-1 EVD	10290	8820	1839							
3511033	CH4E3/35E-1 EVD	10790	9249	1761	9	3 x 350	390	1.74	9360	1 1/8	
3511034	CH4D4/35E-1 EVD	13760	11794	2439							
3511035	CH4E4/35E-1 EVD	14900	12771	2358							

500mm Diameter Fan Model - 4mm Fin Spacing

3511036	CH4C1/50E-1 EVD	8310	7123	2033	26	1 x 500	730	1.35	17520	5/8	1 1/8
	CH4D1/50E-1 EVD	10300	8829	1975							
3511037	CH4E1/50E-1 EVD	10990	9420	1922							
	CH4G1/50E-1 EVD	12570	10774	1808	22	2 x 500	1460	2.70	35040	7/8	1 3/8
3511038	CH4C2/50E-1 EVD	17000	14571	4067							
	CH4D2/50E-1 EVD	20950	17957	3950	26	3 x 500	2190	4.05	52560	1 1/8	2 1/8
3511039	CH4E2/50E-1 EVD	22420	19217	3844							
3509080	CH4G2/50E-1 EVD	26120	22389	3617	23	3 x 500	2190	4.05	52560	1 1/8	2 1/8
3509081	CH4D3/50E-1 EVD	30770	26374	5925							
	CH4E3/50E-1 EVD	34820	29846	5767	25	3 x 500	2190	4.05	52560	1 1/8	2 1/8
3509082	CH4G3/50E-1 EVD	36800	31543	5425							

Refrigerant Correction Multiplier

Refrigerant	R404A	R507	R134a	R22
Capacity Multiplier	1.0	1.0	0.85	0.95

*Internally equalised expansion valve required.

CH PRO E SERIES - LOW TEMPERATURE DIMENSION DATA

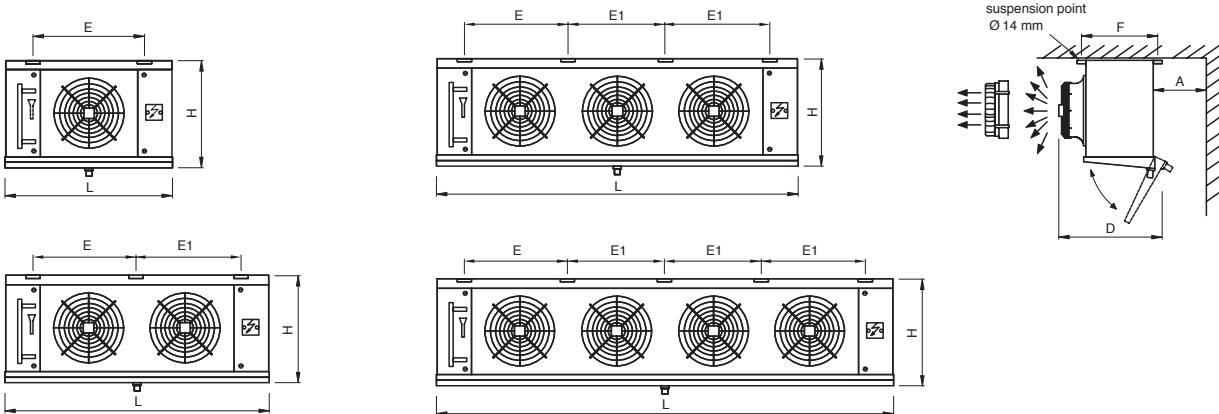
Cat. No.	Part No.	Drain BSP"	Weight kg	Overall Dim: mm						
				L	D	H	E	E1	F	A

300mm and 350mm Diameter Fan Model - 4mm Fin Spacing

3511021	CH4B1/30E-1 EVD	1	19	780	470	470	490	NA	415	400
3511022	CH4C1/30E-1 EVD	1	22	780	470	470	490	NA	415	400
3511023	CH4B1/35E-1 EVD	1	26	980	530	470	690	NA	415	400
3511024	CH4C1/35E-1 EVD	1	28	980	530	470	690	NA	415	400
3511025	CH4B2/30E-1 EVD	1	34	1230	470	470	940	NA	415	400
	CH4D1/35E-1 EVD	1	30	980	530	470	690	NA	415	400
3511026	CH4E1/35E-1 EVD	1	32	980	530	470	690	NA	415	400
3511027	CH4C2/30E-1 EVD	1	38	1230	470	470	940	NA	415	400
3511028	CH4B2/35E-1 EVD	1	43	1630	530	470	1340	NA	415	400
3511029	CH4C2/35E-1 EVD	1	47	1630	530	470	1340	NA	415	400
3511030	CH4D2/35E-1 EVD	1	53	1630	530	470	1340	NA	415	400
3511031	CH4E2/35E-1 EVD	1	58	1630	530	470	1340	NA	415	400
3511032	CH4C3/35E-1 EVD	1	69	2360	530	470	1990	NA	415	400
	CH4D3/35E-1 EVD	1	75	2360	530	470	1990	NA	415	400
3511033	CH4E3/35E-1 EVD	1	82	2360	530	470	1990	NA	415	400
3511034	CH4D4/35E-1 EVD	1	98	3010	530	470	1340	1300	415	400
3511035	CH4E4/35E-1 EVD	1	107	3010	530	470	1340	1300	415	400

500mm Diameter Fan Model - 4mm Fin Spacing

3511036	CH4C1/50E-1 EVD	1 1/4	98	1560	720	750	1120	NA	510	550
	CH4D1/50E-1 EVD	1 1/4	105	1560	720	720	1120	NA	510	550
3511037	CH4E1/50E-1 EVD	1 1/4	112	1560	720	720	1120	NA	510	550
	CH4G1/50E-1 EVD	1 1/4	130	1560	790	790	1120	NA	580	550
3511038	CH4C2/50E-1 EVD	1 1/4	167	2640	720	720	1120	1080	510	550
	CH4D2/50E-1 EVD	1 1/4	181	2640	720	720	1120	1080	510	550
3511039	CH4E2/50E-1 EVD	1 1/4	194	2640	720	720	1120	1080	510	550
3509080	CH4G2/50E-1 EVD	1 1/4	225	3720	790	790	1120	1080	580	550
3509081	CH4D3/50E-1 EVD	1 1/4	254	3720	720	720	1120	1080	510	550
	CH4E3/50E-1 EVD	1 1/4	275	3720	720	720	1120	1080	510	550
3509082	CH4G3/50E-1 EVD	1 1/4	322	3720	790	790	1120	1080	580	550



FOR ALL WIRING DIAGRAMS AND INSTALLATION INSTRUCTIONS VISIT WWW.ACTROL.COM.AU

LPC SERIES - MEDIUM TEMPERATURE SELECTION DATA

Cat. No.	Part No.	Capacity @ -8°C SST & 8 KTD : Watts		Capacity @ -4°C SST & 6 KTD : Watts		Air Flow l/s	Air Throw m	No. & Dia. of Fans	Fan Motors 230V/50Hz			Connections	
		"R404A (EN 328 SC2)"	"R134a (EN 328 SC2)"	"R404A (EN 328)"	"R134a (EN 328)"				Total Watts	Total Amps	Heat/24 Hrs Total Watts	Liq."	Suct."

300mm Diameter Fan Model - 4mm Fin Spacing

Cat. No.	Part No.	"R404A (EN 328 SC2)"	"R134a (EN 328 SC2)"	"R404A (EN 328)"	"R134a (EN 328)"	Air Flow l/s	Air Throw m	No. & Dia. of Fans	Total Watts	Total Amps	Heat/24 Hrs Total Watts	Liq."	Suct."
	LPC4A1/30-1*	1155	1051	866	788	375	7	1 x 300	72	0.32	1728	1/2	5/8
2710337	LPC4B1/30-1*	1617	1471	1213	1104	336	7						
2710338	LPC4C1/30-1*	1991	1812	1493	1359	311	6						
	LPC4D1/30-1	2178	1982	1634	1486	294	5	2 x 300	144	0.64	3456	5/8	7/8
2710339	LPC4E1/30-1	2442	2222	1832	1667	278	5						
2710340	LPC4B2/30-1	3289	2993	2467	2245	672	7						
	LPC4C2/30-1	4048	3684	3036	2763	622	6	3 x 300	216	0.96	5184	5/8	1 1/8
	LPC4D2/30-1	4510	4104	3383	3078	589	6						
2710342	LPC4E2/30-1	4961	4515	3721	3386	556	5						
	LPC4C3/30-1	6061	5516	4546	4137	933	6	4 x 300	288	1.28	6912	1 1/8	
	LPC4D3/30-1	6930	6306	5198	4730	883	5						
	LPC4E3/30-1	7469	6797	5602	5098	833	5						
	LPC4C4/30-1	8140	7407	6105	5556	1244	6	4 x 300	288	1.28	6912	1 1/8	
2710344	LPC4D4/30-1	9262	8428	6947	6321	1178	6						
	LPC4E4/30-1	10032	9129	7524	6847	1111	5						

Refrigerant Correction Multiplier

Refrigerant	R404A	R507	R134a	R22
Capacity Multiplier	1.0	1.0	0.91	0.95

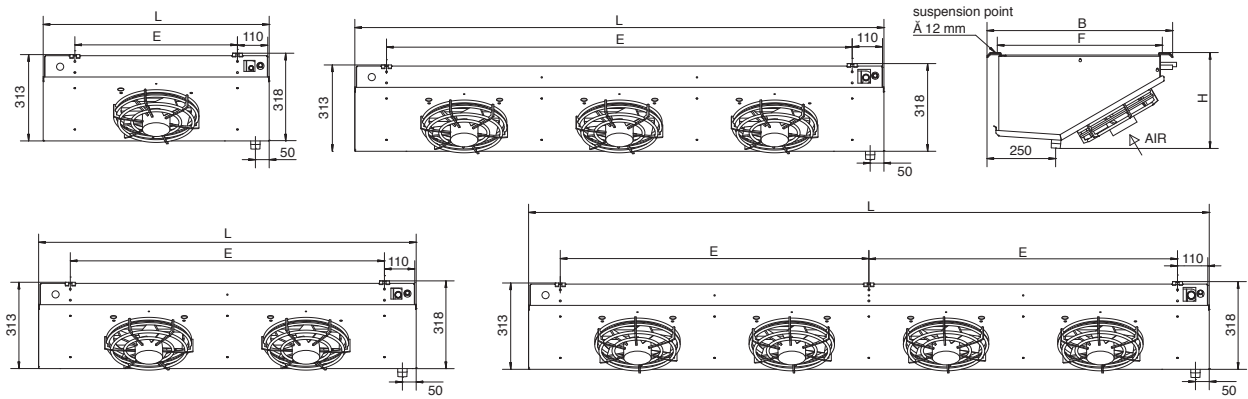
*Internally equalised expansion valve required.

LPC SERIES - MEDIUM TEMPERATURE DIMENSION DATA

Cat. No.	Part No.	Drain BSP"	Weight kg	Overall Dim: mm				
				L	D	H	E	F

300mm Diameter Fan Model - 4mm Fin Spacing

	LPC4A1/30-1*	1	18	820	670	351	590	600
2710337	LPC4B1/30-1*	1	19	820	670	351	590	600
2710338	LPC4C1/30-1*	1	21	820	670	351	590	600
	LPC4D1/30-1	1	22	820	670	351	590	600
2710339	LPC4E1/30-1	1	23	820	670	351	590	600
2710340	LPC4B2/30-1	1	32	1370	670	351	1140	600
2710341	LPC4C2/30-1	1	35	1370	670	351	1140	600
	LPC4D2/30-1	1	38	1370	670	351	1140	600
2710342	LPC4E2/30-1	1	40	1370	670	351	1140	600
2710343	LPC4C3/30-1	1	48	1920	670	351	1690	600
	LPC4D3/30-1	1	52	1920	670	351	1690	600
	LPC4E3/30-1	1	56	1920	670	351	1690	600
	LPC4C4/30-1	1	62	2470	670	351	1120	600
2710344	LPC4D4/30-1	1	67	2470	670	351	1120	600
	LPC4E4/30-1	1	72	2470	670	351	1120	600



FOR ALL WIRING DIAGRAMS AND INSTALLATION INSTRUCTIONS VISIT WWW.ACTROL.COM.AU

LPC E SERIES - LOW TEMPERATURE SELECTION DATA

Cat. No.	Part No.	Capacity @ -25°C SST & 7 KTD : Watts	Capacity @ -24°C SST & 6 KTD : Watts	Air Flow l/s	Air Throw m	No. & Dia. of Fans	Fan Motors			Defrost Heaters 240 Volts		Connections	
		"R404A (EN 328 SC3)"	"R404A (EN 328)"				Total Watts	Total Amps	Heat/ 24 Hrs Total Watts	Coil No. & Watts	Drip Tray No. & Watts	Liq."	Suct."

300mm Diameter Fan Model - 4mm Fin Spacing

Cat. No.	Part No.	Capacity @ -25°C SST & 7 KTD : Watts	Capacity @ -24°C SST & 6 KTD : Watts	Air Flow l/s	Air Throw m	No. & Dia. of Fans	Total Watts	Total Amps	Heat/ 24 Hrs Total Watts	Coil No. & Watts	Drip Tray No. & Watts	Liq."	Suct."
	LPC4A1/30E.1*	880	754	375	7							1/2	
2710345	LPC4B1/30E.1*	1190	1020	336	7							1/2	
2710346	LPC4C1/30E.1*	1370	1174	311	6	1 x 300	72	0.32	1728	2 x 600	1 x 600	5/8	
	LPC4D1/30E.1	1580	1354	294	6								
2710347	LPC4E1/30E.1	1730	1483	278	5								
2710348	LPC4B2/30E.1	2350	2014	672	7								
2710349	LPC4C2/30E.1	2800	2400	622	6	2 x 300	144	0.64	3456	2 x 1100	1 x 1100	7/8	
	LPC4D2/30E.1	3160	2709	589	6								
2710350	LPC4E2/30E.1	3470	2974	556	5								
2710351	LPC4C3/30E.1	4280	3669	933	6	3 x 300	216	0.96	5184	2 x 1600	1 x 1600	5/8	
	LPC4D3/30E.1	4870	4174	883	6								
2710352	LPC4E3/30E.1	5230	4483	833	5								
	LPC4C4/30E.1	5650	4843	1244	6	4 x 300	288	1.28	6912	2 x 2100	1 x 2100	1 1/8	
	LPC4D4/30E.1	6290	5391	1178	6								
2710353	LPC4E4/30E.1	6980	5983	1111	5								

Refrigerant Correction Multiplier

Refrigerant	R404A	R507	R134a	R22
Capacity Multiplier	1.0	1.0	0.85	0.95

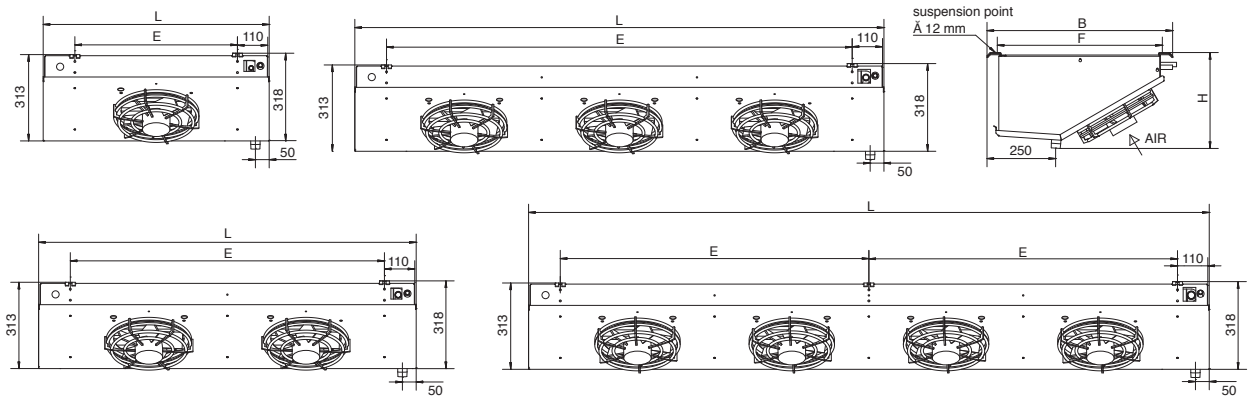
*Internally equalised expansion valve required.

LPC E SERIES - LOW TEMPERATURE DIMENSION DATA

Cat. No.	Part No.	Drain BSP"	Weight kg	Overall Dim: mm				
				L	D	H	E	F

300mm Diameter Fan Model - 4mm Fin Spacing

	LPC4A1/30E.1*	1	18	820	670	351	590	600
2710345	LPC4B1/30E.1*	1	19	820	670	351	590	600
2710346	LPC4C1/30E.1*	1	21	820	670	351	590	600
	LPC4D1/30E.1	1	22	820	670	351	590	600
2710347	LPC4E1/30E.1	1	23	820	670	351	590	600
2710348	LPC4B2/30E.1	1	32	1370	670	351	1140	600
2710349	LPC4C2/30E.1	1	35	1370	670	351	1140	600
	LPC4D2/30E.1	1	38	1370	670	351	1140	600
2710350	LPC4E2/30E.1	1	40	1370	670	351	1140	600
2710351	LPC4C3/30E.1	1	48	1920	670	351	1690	600
	LPC4D3/30E.1	1	52	1920	670	351	1690	600
2710352	LPC4E3/30E.1	1	56	1920	670	351	1690	600
	LPC4C4/30E.1	1	62	2470	670	351	1120	600
	LPC4D4/30E.1	1	67	2470	670	351	1120	600
2710353	LPC4E4/30E.1	1	72	2470	670	351	1120	600



FOR ALL WIRING DIAGRAMS AND INSTALLATION INSTRUCTIONS VISIT WWW.ACTROL.COM.AU

DH SERIES - MEDIUM TEMPERATURE SELECTION DATA

Cat. No.	Part No.	Capacity @ 0C SST & 10 KTD : Watts		Air Flow l/s	Air Throw m	No. & Dia. of Fans	Fan Motors			Connections	
		"R404A (EN 328 SC1)"	"R134a (EN 328 SC1)"				Total Watts	Total Amps	Heat/ 24 Hrs Total Watts	Liq."	Suct"

300mm and 350mm Diameter Fan Models - 4mm Fin Spacing

3509049	DH4B1/30	3180	2894	433	6	1 x 300	72	0.32	1728	12	12	
3509050	DH4C1/30	3820	3476	422								
	DH4B1/35	4600	4186	653								
	DH4C1/35	5720	5205	606	5	1 x 350	140	0.60	3360		58	
3509051	DH4D1/35	6440	5860	569								
3509052	DH4E1/35	6880	6261	544	7	2 x 300	144	0.64	3456		34	
	DH4B2/30	6470	5888	867								
	DH4C2/30	7740	7743	844								
3509053	DH4B2/35	8750	7963	1306	8	2 x 350	280	1.20	6720	58	78	
3509054	DH4C2/35	11550	10511	1211								
3509055	DH4D2/35	12730	11584	1139	7	3 x 350	420	1.80	10080		118	
3509056	DH4E2/35	14160	12886	1089								
3509057	DH4C3/35	17380	15816	1817	8	4 x 350	560	2.40	13440			78
3509058	DH4D3/35	19690	17918	1708								
3509059	DH4E3/35	21160	19256	1633								
3509060	DH4D4/35	26130	23778	2278								
3509061	DH4E4/35	28410	25853	2178								

500mm Diameter Fan Models - 4mm Fin Spacing

3509062	DH4C1/50	17240	15688	2033	22	1 x 500	770	1.70	18480	58	1 1/8	
3509063	DH4D1/50	20300	18473	1975	21							
3509064	DH4E1/50	22400	20384	1922	20							
3509065	DH4G1/50	25630	23323	1808	18	2 x 500	1540	3.40	36960		78	1 3/8
3509066	DH4C2/50	34990	31841	4067	22							
3509067	DH4D2/50	40950	37265	3950	21							
3509068	DH4E2/50	45340	41259	3844	20	3 x 500	2310	5.10	55440	118	2 1/8	
3509069	DH4G2/50	52000	47320	3617	18							
3509070	DH4D3/50	61410	55883	5925	21							
3509071	DH4E3/50	68870	62672	5767	20							
3509072	DH4G3/50	75860	69033	5425	18							

Refrigerant Correction Multiplier

Refrigerant	R404A	R507	R134a	R22
Capacity Multiplier	1.0	1.0	0.91	0.95

*Internally equalised expansion valve required.

DH SERIES - MEDIUM TEMPERATURE DIMENSION DATA

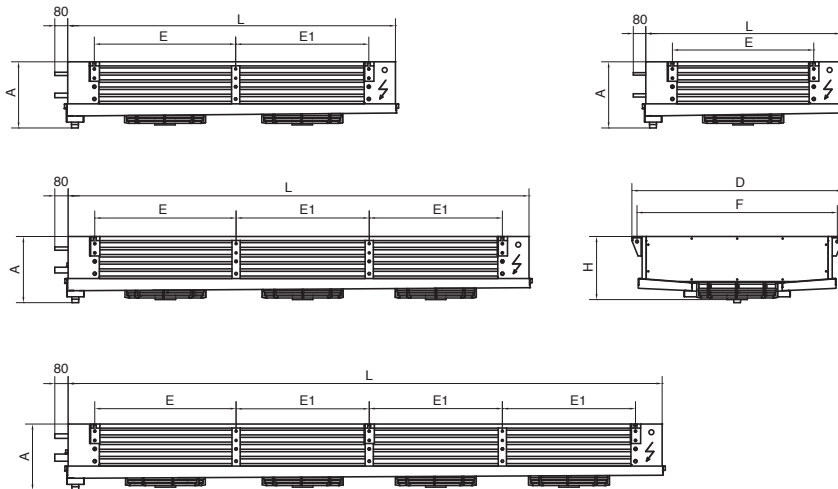
Cat. No.	Part No.	Drain BSP"	Weight kg	Overall Dim: mm						
				L	D	H	E	E1	F	A

300mm and 350mm Diameter Fan Models - 4mm Fin Spacing

3509049	DH4B1/30	1	27	750	1028	308	490	NA	978	323
3509050	DH4C1/30	1	29	750	1028	308	490	NA	978	323
	DH4B1/35	1	32	950	1028	308	690	NA	978	323
	DH4C1/35	1	35	950	1028	308	690	NA	978	323
3509051	DH4D1/35	1	38	950	1028	308	690	NA	978	323
3509052	DH4E1/35	1	41	950	1028	308	690	NA	978	323
	DH4B2/30	1	43	1200	1028	308	940	NA	978	323
	DH4C2/30	1	47	1200	1028	308	940	NA	978	323
3509053	DH4B2/35	1	55	1600	1028	308	1340	NA	978	323
3509054	DH4C2/35	1	61	1600	1028	308	1340	NA	978	323
3509055	DH4D2/35	1	67	1600	1028	308	1340	NA	978	323
3509056	DH4E2/35	1	72	1600	1028	308	1340	NA	978	323
3509057	DH4C3/35	1	84	2250	1028	308	1990	NA	978	323
3509058	DH4D3/35	1	92	2250	1028	308	1990	NA	978	323
3509059	DH4E3/35	1	100	2250	1028	308	1990	NA	978	323
3509060	DH4D4/35	1	120	2900	1028	308	1340	1300	978	323
3509061	DH4E4/35	1	130	2900	1028	308	1340	1300	978	323

500mm Diameter Fan Models - 4mm Fin Spacing

3509062	DH4C1/50	1 1/4	103	1420	1110	480	1120	NA	1060	475
3509063	DH4D1/50	1 1/4	110	1420	1110	480	1120	NA	1060	475
3509064	DH4E1/50	1 1/4	116	1420	1110	480	1120	NA	1060	475
3509065	DH4G1/50	1 1/4	138	1420	1250	480	1120	NA	1200	475
3509066	DH4C2/50	1 1/4	183	2500	1110	480	1120	1080	1060	475
3509067	DH4D2/50	1 1/4	197	2500	1110	480	1120	1080	1060	475
3509068	DH4E2/50	1 1/4	213	2500	1110	480	1120	1080	1060	475
3509069	DH4G2/50	1 1/4	250	2500	1250	480	1120	1080	1200	475
3509070	DH4D3/50	1 1/4	275	3580	1110	480	1120	1080	1060	475
3509071	DH4E3/50	1 1/4	297	3580	1110	480	1120	1080	1060	475
3509072	DH4G3/50	1 1/4	363	3580	1250	480	1120	1080	1200	475



FOR ALL WIRING DIAGRAMS AND INSTALLATION INSTRUCTIONS VISIT WWW.ACTROL.COM.AU

